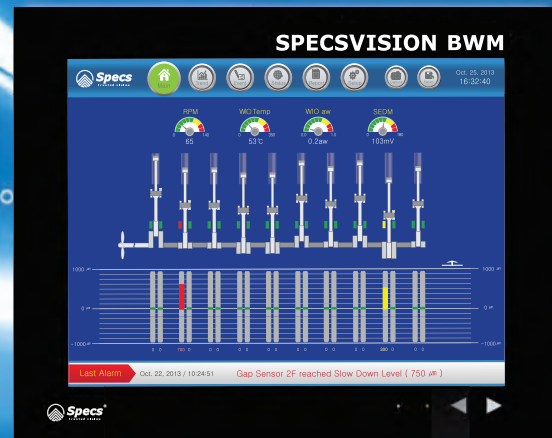


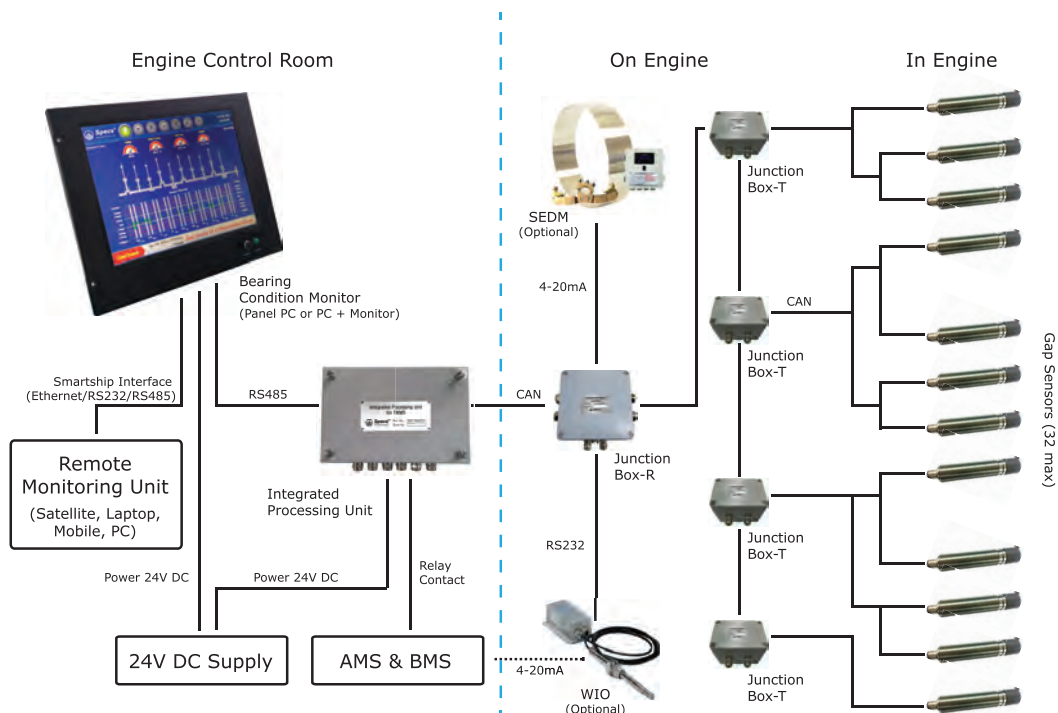
SPECSVISION-BWM 2-Stroke Engine Bearing Wear Monitoring System

SPECSVISION-BWM



SPECSVISION-BWM is a useful tool for predicting bearing wear in 2-stroke engine before it becomes critical condition and the system provides early alarm or slowdown signal if unexpected problem occurs at the crank-train bearings comprised of crosshead, crank and main bearings during engine operation.

CONFIGURATION



SYSTEM FEATURES

- Comply with latest MDT algorithm and IACS requirements
- Reliable and secure operation
- Most rigid structure
- Instantaneous response to alarm
- Interface with Ship's AMS & BMS
- Access remote HMI from anywhere around the world securely
- Simple installation
- Most compact/rigid sensor
- Temperature compensated sensor design
- Highly integrated system design
- Robust anti-vibration assembly
- User-friendly HMI

SPECSVISION- BWM

2-Stroke Engine

Bearing Wear Monitoring System

TECHNICAL SPECIFICATIONS



Gap Sensor

Measuring Range	0 ~ 5mm
Measuring Resolution	±0.001mm
Measuring Accuracy	±0.05mm
Power Supply	24V DC (-25 ~ +30%)
Operating Temp.	0 ~ 90 °C
Output Signal	CAN
Protection Grade	IP 68
Vibration	>4G
Mounting	Custom designed bracket for different engine types
Dimensions	M22x1.0mm, L=109mm
Weight	108g
Characteristic	Temp. compensated compact type
No. of sensors per engine	Max. 32 (16 cylinders)



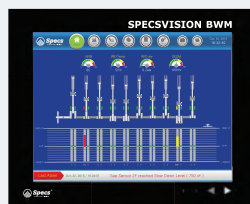
Integrated Processing Unit

Power Supply	24VDC (-25% ~ +30%)
Interface	CAN, RS485/232, relay contact
Protection Grade	IP 44
Operation Temp.	0 ~ 60 °C
Vibration	>0.7G
Humidity	20 ~ 95% non-condensing
Dimensions	W320 x H210 x D85 (mm)
Weight	3.5kg



Junction Box

Power Supply	24V DC (-25% ~ +30%)
Interface	CAN
Protection Grade	IP 66
Operation Temp.	-20 ~ 85 °C
Vibration	>4G
Dimensions (R)	W160 x H160 x D90mm
Dimensions (T)	W120 x H122 x D80mm
Weight	1.2kg



Bearing Condition Monitor

Power Supply	24V DC (-25 ~ +30%)
Interface	6USB, 2RS232, RS485/422, 2Ethernet
Protection Grade	IP 20
Operation Temp.	0 ~ 60 °C
Vibration	>0.7G
Screen	Analog capacitive touch, 15inches, 1024 X 768 (XGA)
Dimensions	W402 x H330 x D80mm
Weight	8.4kg