





# Engineered Lockable 3/2- Way Modular Ball Valves for Reliable and Quick Shutoff

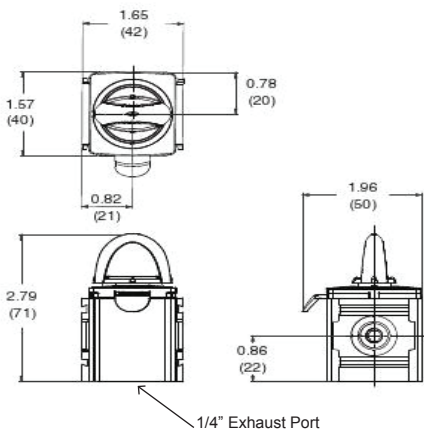
Take full advantage of your compressed gas system by adding a modular ball shutoff valve. A ball shutoff valve is essential for quick turn around of maintenance and replacement of in-line system components. Save time and money on the cost of repairs of system components with Fairchild's new ball shutoff valves. The lockout feature of Fairchild's new ball valves provide a safe and more fluid work environment.

## NEW Modular Ball Valve Products

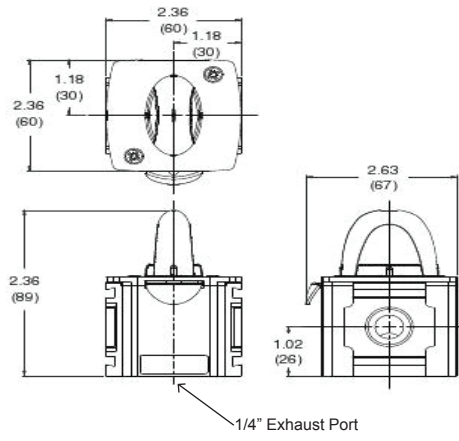
-  Two Year Warranty
-  Highest Flow Capacities
-  Modular or Pipe Mount Design
-  Rugged Durable Construction



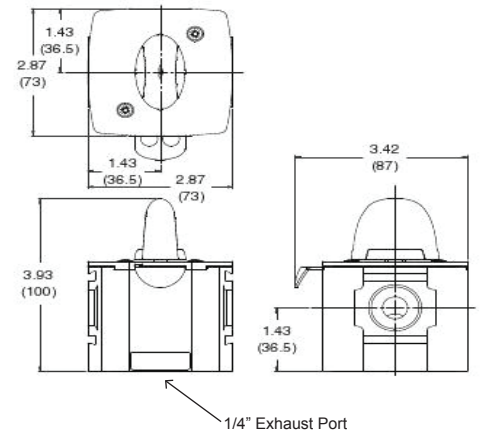
Fairchild's new modular ball shutoff valves are rugged with extreme high flow capacity and quality construction. Make Fairchild's ball valves a part of your integral packages to provide dependable performance with our world class 2 year warranty for protection of your downstream instrumentation or equipment. When your application demands the best, insist on the Fairchild Ball Shutoff Valve products.



Used on 20 Series



Used on 30 Series

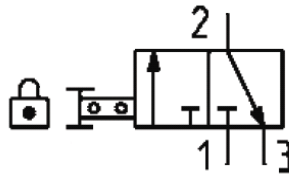


Used on 40 Series

\* All modular ball valves have a 1/4" exhaust port located on the bottom of each unit.

### Pressure & Temperature Ratings

Maximum Supply Pressure	250 PSIG (17 BAR)
Maximum Operating Temperature	150°F (65°F)



### Materials of Construction

Body	Aluminum
Seals	PTFE
Ball	20 Series Brass 30 & 40 Series Chrome Plated Brass

### Lockable 3/2-Way Modular Ball Valve

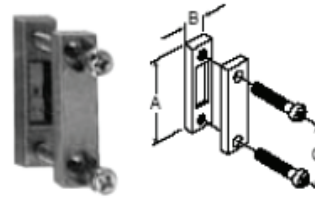
Part Number	Used On	Inlet/Outlet Port Size	Flow SCFM
V202N	20 Series	1/4"	42
V302N	30 Series	1/4"	120
V303N	30 Series	3/8"	190
V304N	30 Series	1/2"	258
V403N	40 Series	3/8"	430
V404N	40 Series	1/2"	561
V406N	40 Series	3/4"	678



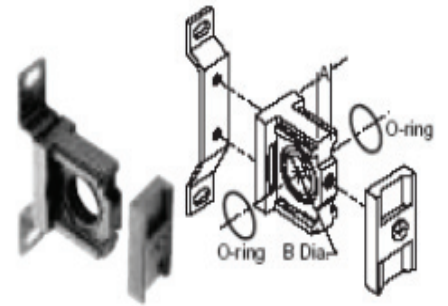
# Modular Accessories for FRL and FR Products

## T-Brackets and Joiners

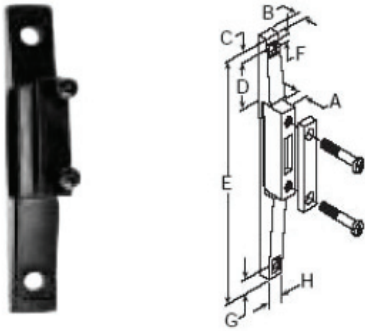
Part Number	Discription
21580-1	20 Series T-Bracket w/ Joiner
21580-2	20 Series Joiner Set
21581-1	30 & 40 Series T-Bracket w/ Joiner
21581-2	30 & 40 Series Joiner Set



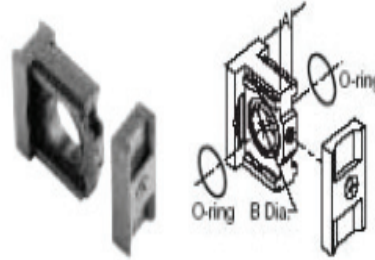
Joiner Set  
21580-2  
(O-ring not shown)



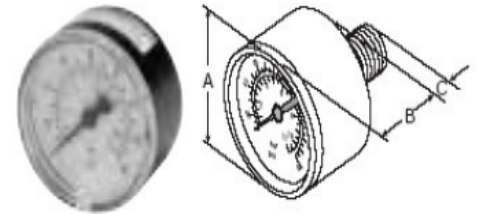
T-Bracket w/ Joiner Set 21581-1



T-Bracket  
21580-1  
w/ Joiner



Joiner Set 21581-2



Gauges

### 1/8" Port Size Gauge (For 10 & 20 Series)

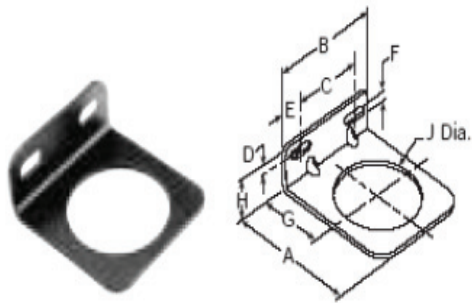
Part Number	Pressure Range
21574-1	0-160 psi (0-11 Bar)
21574-2	0-60 psi (0-4.1 Bar)
21574-3	0-30 psi (0-2 Bar)

### 1/4" Port Size Gauge (For 30 & 40 Series)

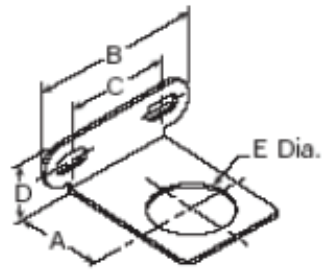
Part Number	Pressure Range
21576-1	0-160 psi (0-11 Bar)
21576-2	0-60 psi (0-4.1 Bar)
21576-3	0-30 psi (0-2 Bar)

## Dimensions

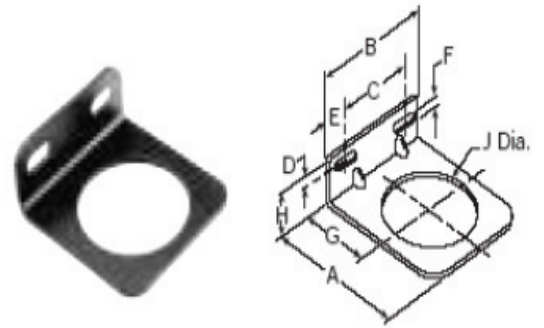
Part Number	Accessory	Used On	Inches (mm) A	B	C	D	E	F	G	H
21580-1	T-Bracket W/ Joiner	20 Series	.45 (11)	0.28 (7.1)	0.40 (10)	0.67 (17)	3.97 (100.8)	0.22 (5.6)	0.40 (10)	0.64 (16)
21580-2	Joiner Set	20 Series	1.42 (36)	0.39 (9.9)	0.98 (26)	XX	XX	XX	XX	XX
21581-1	T-Bracket W/ Joiner	30 & 40 Series	0.35 (8.9)	0.87 (22.1)	XX	XX	XX	XX	XX	XX
21581-2	Joiner Set	30 & 40 Series	0.35 (8.9)	0.87 (22.1)	XX	XX	XX	XX	XX	XX
All P/N's	Gauges	Various	1.64 (41.6)	1.09 (27.6)	0.80 (20)	XX	XX	XX	XX	XX



L-Bracket  
21682-4



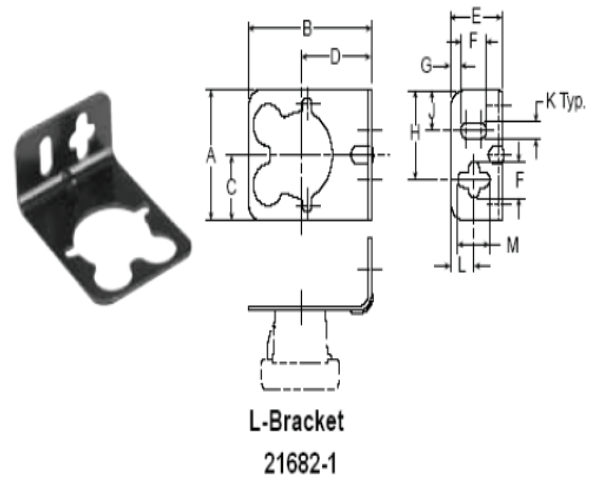
L-Bracket  
21682-2



L-Bracket  
21682-3

L-Brackets

Part Number	Used On
21682-1	R10 Series Mini Regulator
21682-2	R20 Series Regulator
21682-3	R30 Series Regulator
21682-4	R40 Series Regulator



L-Bracket  
21682-1

Dimensions

Part Number	Accessory	Used On	Inches (mm) A	B	C	D	E	F	G	H	J	K	L	M
21682-1	L-Bracket	R10 Series	2.12 (53)	3.62 (91)	3.40 (83)	2.53 (64)	1.88 (47)	0.50 (13)	0.20 (5)	1.24 (31)	0.56 (14)	0.22 (6)	0.45 (11)	0.62 (16)
21682-2	L-Bracket	R20 Series	1.57 (40)	2.68 (68)	1.74 (44)	0.97 (25)	1.19 (30)	XX	XX	XX	XX	XX	XX	XX
21682-3	L-Bracket	R30 Series	2.74 (69.5)	2.74 (69.5)	1.66 (42)	0.43 (11)	0.54 (14)	0.28 (7.1)	1.57 (40)	1.00 (25)	2.0 (51)	XX	XX	XX
21682-4	L-Bracket	R40 Series	3.33 (84.5)	3.00 (76)	1.88 (48)	0.43 (11)	0.56 (14)	2.40 (61)	1.94 (49)	1.00 (25)	2.40 (61)	XX	XX	XX