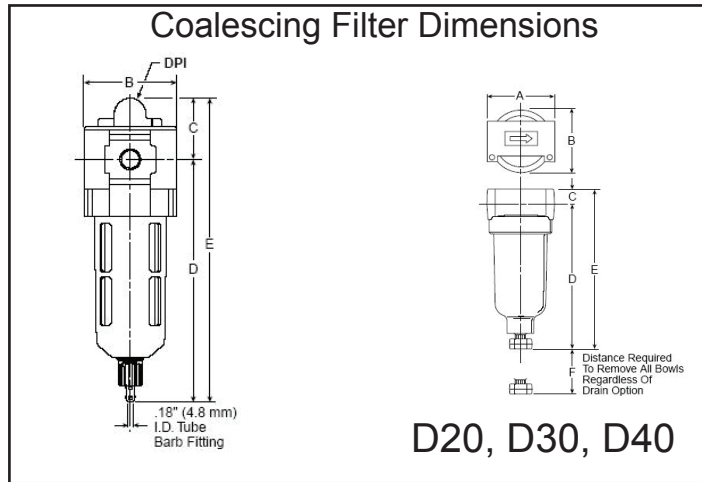


Coalescing Filters

D20, D30, D40 Filter



DP Indicator on 30, 40 sizes only (Standard)



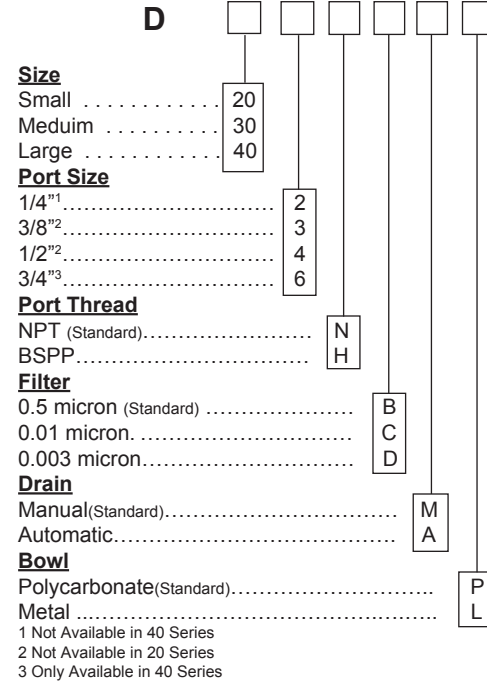
D20, D30, D40

Dimensions Table

Model	Inches (mm)					
	A	B	C	D	E	F
D20	1.58 (40)	1.68 (43)	.72 (18)	3.86 (98)	4.58 (116)	1.31 (33)
D30	2.36 (60)	2.36 (60)	1.90 (48)	6.32 (161)	8.23 (209)	1.60 (41)
D40	2.90 (74)	2.90 (74)	1.90 (48)	7.35 (187)	9.25 (235)	2.00 (51)

Flow Capacities			
	Port Size	@150 psi Inlet Pressure, 3 psi drop	
D20	1/4	11 SCFM	(19m ³ /hr)
	3/8	40 SCFM	(68m ³ /hr)
D30	1/4	44 SCFM	(74m ³ /hr)
	1/2	48 SCFM	(80m ³ /hr)
D40	3/8	82 SCFM	(138m ³ /hr)
	1/2	90 SCFM	(151m ³ /hr)
	3/4	98 SCFM	(165m ³ /hr)

Catalog No.:



REPLACEMENT ELEMENT KITS			
Series	0.5m ISO Class 2	0.01m ISO Class 1	0.003m ISO Class 1
D20	21519-2	21519-3	21519-4
D30	21520-2	21520-3	21520-4
D40	21521-2	21521-3	21521-4

Materials of Construction

Body	Zinc
Bowl (Metal)	Polycarbonate, Zinc, Aluminum
Seals	Nitrile
Drains	Polycarbonate

Specifications

Pressure & Temperature Ratings –

Metal Bowl	0 to 150 PSIG (0 to 10 bar) 32°F to 150°F (0°C to 65.5°C)*
Plastic Bowl	0 to 150 PSIG (0 to 10 Bar) 32°F to 125°F (0 to 52°C)

Standard Filtration 0.01 micron

* 32°F to 125°F (0 to 52°C) for autodrain models

⚠ WARNING

Product rupture can cause serious injury.
Do not connect regulator to bottled gas.
Do not exceed maximum primary pressure rating.

Engineered F/R's and Filters Designed for High Flow and Superior Filtration

NEW PRODUCT BULLETIN

To take full advantage of compressed gases in pneumatic systems, the gas must be adequately prepared. Fairchild's new FR preparation packages provide the clean and dry air essential for optimum performance of pneumatic systems. With their modular and piggyback construction, the FR and Filter units provide compact efficiency at competitive prices.

Specify the Fairchild C Series FR when you need superior and reliable performance from your instrumentation, equipment or process.

NEW FR Filter Regulator and Filter Products

- Two Year Warranty***
- Highest Flow Capacities**
- 5 Micron Filters (Standard)**
- Metal Bowls Standard**
- Modular or Pipe Mount**
- Quick Disconnect Bowls**

Fairchild's new FR air preparation packages meet industry demands with extreme high flow and superior 5 micron filtration. In addition metal bowls and gages are standard for C Series FR products. These compact integral filter products provide dependable performance with our world class 2 year warranty for protection of your downstream instrumentation or equipment. When your application demands the best, insist on the C Series FR and Filter products.



F/R Filter Regulator

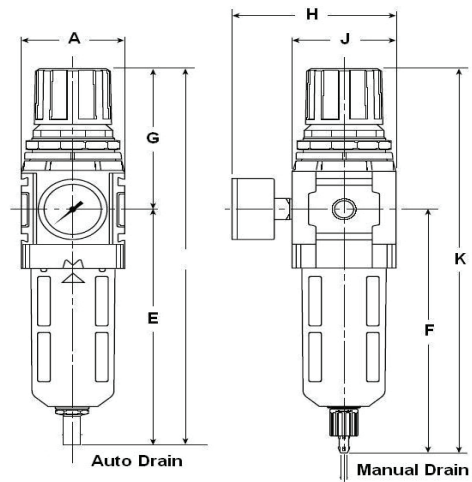
F Series Particulate Filter



D Series Coalescing Filter

*Does not include filter element periodic replacement

"C" Style FR Products



C20, C30, C40 Style Dimensions

Model	Inches (mm) A	E	F	G	H	J	K
C20	1.58 (40)	XX	3.86 (98)	2.60 (66)	2.53 (64)	1.68 (43)	6.46 (164)
C30	2.36 (60)	6.11 (155)	6.34 (161)	3.66 (93)	3.74 (95)	2.36 (60)	10.00 (254)
C40	2.90 (74)	7.12 (181)	7.35 (187)	4.09 (104)	4.27 (108)	2.90 (74)	11.44 (291)

Specifications

Pressure & Temperature Ratings –

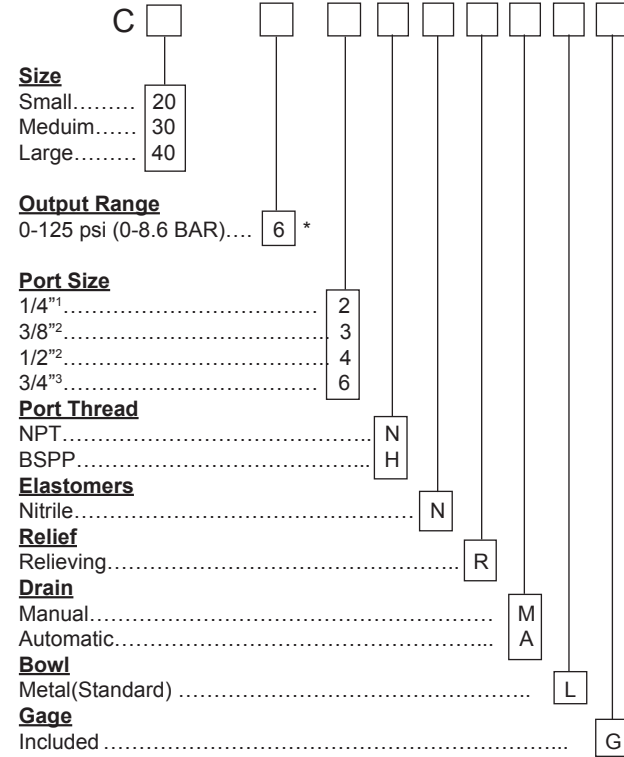
Metal Bowl	0 to 250 PSIG (0 to 17.2 bar) 32°F to 175°F (0°C to 80°C)
Gauge Ports (2)	1/8" (C20) 1/4" (C30, C40)

Standard Filtration	5 micron
---------------------	----------

All Fairchild 5 micron elements **meet or exceed ISO Class 3** for maximum particle size and concentration of solid contaminants.

Flow Capacities			
	Port Size	@100 psi Inlet Pressure	
C20	1/4	42 SCFM	(71m ³ /hr)
	3/8	88 SCFM	(150m ³ /hr)
C30	1/4	117 SCFM	(199m ³ /hr)
	3/8	121 SCFM	(206m ³ /hr)
C40	1/2	140 SCFM	(255m ³ /hr)
	3/4	165 SCFM	(280m ³ /hr)

Catalog No.:



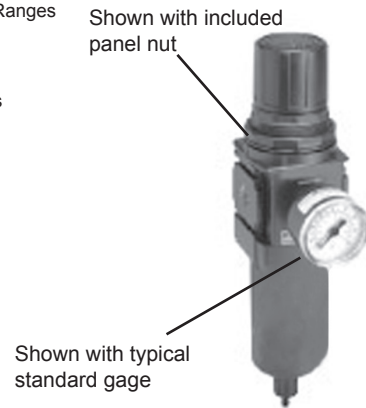
* Contact Factory for other Ranges

- 1 Not Available in 40 Series
- 2 Not Available in 20 Series
- 3 Available only in 40 Series

C20 Replacement Filter Element: 21519-1

C30 Replacement Filter Element: 21520-1

C40 Replacement Filter Element: 21521-1

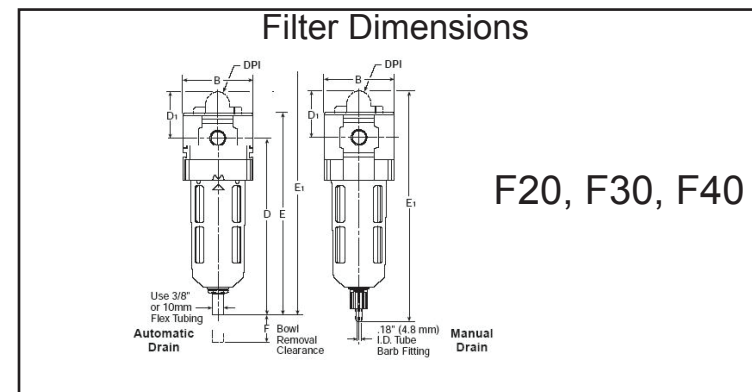


Materials of Construction (FR Products)

Body.....	Zinc
Bonnet/Knob.....	Nylon/Acetal
Bowl (Metal).....	Zinc, Aluminum
Diaphragm Ass'y.....	Nitrile/Zinc
Spring.....	Steel
Seals.....	Nitrile
Valve Ass'y.....	Brass/Nitrile /Acetal

Particulate Filters

F20, F30, F40 Filter



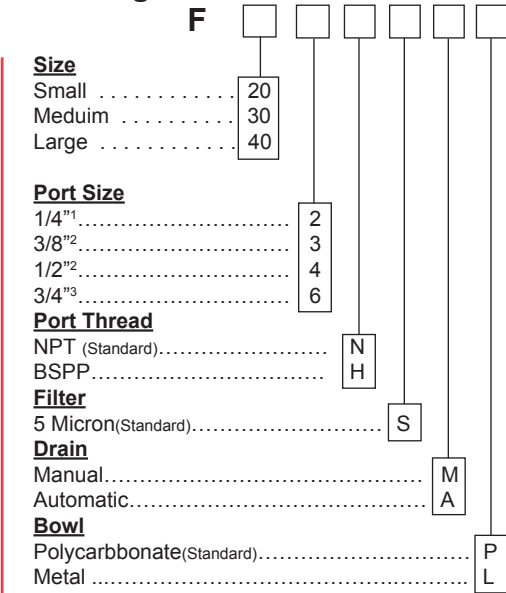
Dimensions Table

Model	Inches (mm) A	B	C	D	E	E'	F
F20	1.58 (40)	1.68 (43)	.72 (18)	3.86 (98)	4.58 (116)	4.36 (111)	1.31 (33)
F30	2.36 (60)	2.36 (60)	1.02 (26)	6.40 (163)	7.36 (187)	8.23 (209)	1.61 (41)
F40	2.90 (73)	2.90 (73)	1.02 (26)	7.40 (188)	8.40 (213)	9.25 (235)	2.00 (51)

Flow Capacities

	Port Size	@150 psi Inlet Pressure, 5 psi drop	
F20	1/4	50 SCFM	(84m ³ /hr)
F30	1/4	110 SCFM	(185m ³ /hr)
	3/8	120 SCFM	(202m ³ /hr)
F40	1/2	144 SCFM	(243m ³ /hr)
	3/4	160 SCFM	(269m ³ /hr)

Catalog No.:



- 1 Not Available in 40 Series
- 2 Not Available in 10, 20 Series
- 3 Only Available in 40 Series

F20 Replacement Filter Element: 21519-1

F30 Replacement Filter Element: 21520-1

F40 Replacement Filter Element: 21521-1

Materials of Construction

Body.....	Zinc
Bowl.....	Polycarbonate, Zinc, Aluminum
Seals.....	Nitrile
Drains.....	Plastic

Specifications

Pressure & Temperature Ratings –

Metal Bowl	0 to 250 PSIG (0 to 17.2 bar) 32°F to 150°F (0°C to 65.5°C)*
Plastic Bowl	0 to 150 PSIG (0 to 10 Bar) 32°F to 125°F (0 to 52°C)

Standard Filtration	5 micron
---------------------	----------

All Fairchild 5 micron elements **meet or exceed ISO Class 3** for maximum particle size and concentration of solid contaminants.

* 32°F to 125°F (0 to 52°C) for autodrain models

CAUTION:

REGULATOR PRESSURE ADJUSTMENT – The working range of knob adjustment is designed to permit outlet pressures within their full range. Pressure adjustment beyond this range is also possible because the knob is not a limiting device. This is a common characteristic of most industrial regulators, and limiting devices may be obtained only by special design.

For best performance, regulated pressure should always be set by increasing the pressure up to the desired setting.

! WARNING

**Product rupture can cause serious injury.
Do not connect regulator to bottled gas.
Do not exceed maximum primary pressure rating.**