



## Features

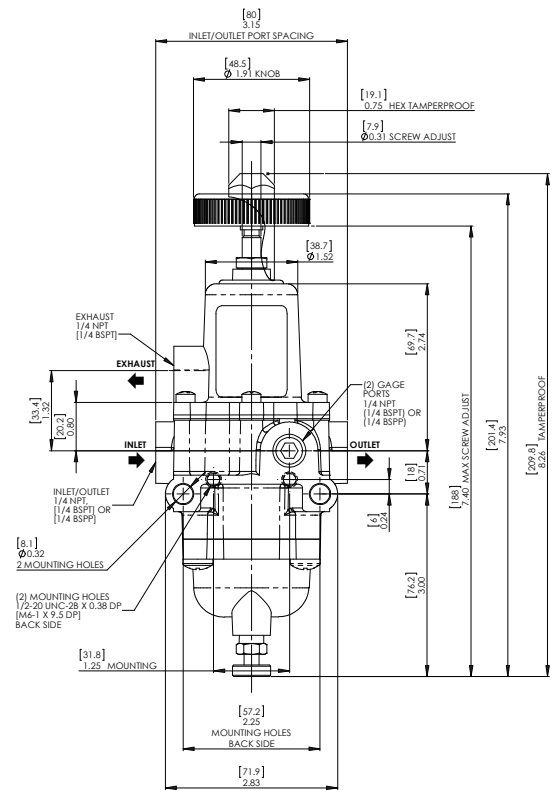
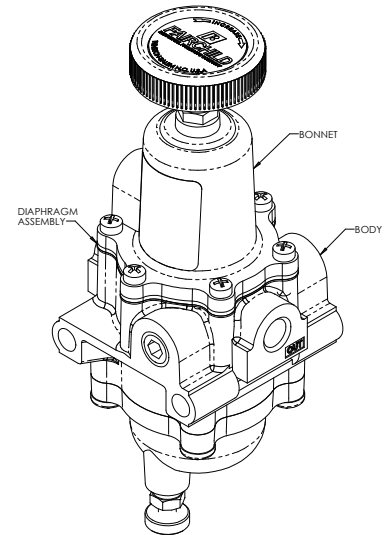
- Conforms to NACE MR0175
- The no-brass construction is well suited to harsh environments
- Epoxy coated finish for superior corrosion resistance
- Non-bleed design to reduce consumption
- Integral Relief Valve
- A Gauge Port provides convenient pressure gauge mounting
- The standard 5-micron filter minimizes internal contamination
- The Filter Dripwell contains a Drain Plug to easily drain trapped liquids
- Standard Tapped Exhaust
- Soft Relief Seat minimizes air loss
- Canadian Registration Number (CRN) certification for all territories and provinces
- -60°F Low Temperature Rating

## Operating Principles

When you turn the Adjustment Screw to a specific setpoint, the Spring exerts a downward force against the top of the Diaphragm Assembly. This downward force opens the Supply Valve. Output pressure flows through the Outlet Port and the passage to the Control Chamber where it creates an upward force on the bottom of the Diaphragm Assembly.

When the setpoint is reached, the force of the Spring that acts on the top of the Diaphragm Assembly balances with the force of output pressure that acts on the bottom of the Diaphragm Assembly and closes the Supply Valve.

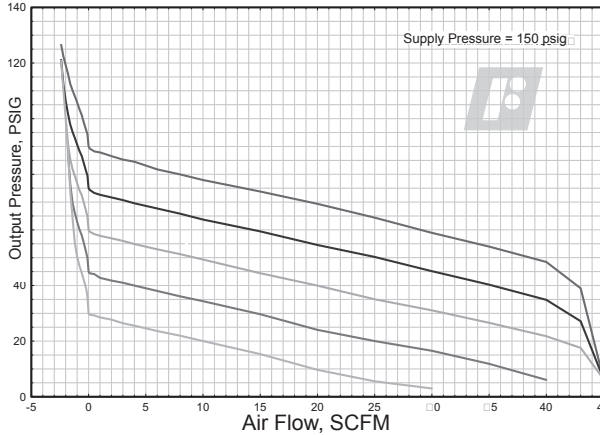
When the output pressure increases above the setpoint, the Diaphragm Assembly moves upward to close the Supply Valve and open the Exhaust Valve. Output pressure flows through the Exhaust Valve and out of the Exhaust Vent on the side of the unit until it reaches the setpoint.



**Note:** Pipe plug is included

## Technical Information

Flow Characteristics  
Fairchild Model 63N252NNKRS



### Specifications

#### Supply Pressure

300 psig, [20 BAR], (2000 kPa) Maximum

#### Flow Capacity (SCFM)

25 (42.5 m<sup>3</sup>/HR) @ 100 psig, [7 BAR], (700 kPa) supply and 20 psig, [1.5 BAR], (150 kPa) setpoint

#### Exhaust Capacity (SCFM)

0.8 (1.36 m<sup>3</sup>/HR) where downstream pressure is 5 psig, [.35 BAR], (35 kPa) above 20 psig, [1.5 BAR], (150 kPa) setpoint. (0.8 scfm for 120 # unit)

#### Consumption

Undetectable

#### Supply Pressure Effect

Less than 1.25 psig, [.09 BAR], (9 kPa) change for 100 psig, [7.0 BAR], (700 kPa) change in supply pressure (1.90 psig for 120 psig Range)

#### Sensitivity

1" (2.50 cm) Water Column

#### Temperature Range

-60° F to + 180° F, (-51° C to + 82° C)

#### Materials of Construction

Body and Housing . . . . . Epoxy Coated Aluminum

Trim . . . . . Stainless Steel

Elastomers . . . . . Nitrile

## Catalog Information

TABLE - MODEL 63N CATALOG NUMBER STRUCTURE

CAT NO	63N 2 * 2 * N * R S 0 * *
MODEL	63N 63N
REVISION	2 2
PRESSURE RANGE	30 PSIG 3
	60 PSIG 4
	120 PSIG 5
PORT SIZE	1/4" 2
PORT THREAD	NPTF N
	BSPP H
	BSPT U
ELASTOMER	NITRILE N
ACTUATOR	KNOB K
	SCREW S
	TAMPER PROOF T
RELIEF	RELIEVING R
TRIM	STAINLESS STEEL TRIM S
VENT	THREADED 0
QUICK BLEED	NONE 0
	QUICK BLEED C
GAGE	NONE 0
	2" GAGE, SS, NPT ONLY G

### Installation Instructions

For installations instructions, refer to the *Fairchild Model 63N Pneumatic Filter Regulator Instruction, Operation and Maintenance Instructions*.