



Model GUMC/GUWSU Sprinkler Guards For Use With Series TY-B/TY-FRB Sprinklers Only Europe, Middle East, and Africa Only

General Description

TYCO Model GUMC/GUWSU Sprinkler Guards are designed for use as accessories for sprinklers located in areas that make them susceptible to mechanical or physical damage.

Installation of Guards on Sprinklers form Intermediate Level Sprinkler assemblies intended for use in fire sprinkler systems.

The Model GUMC/GUWSU Sprinkler Guards are compatible with specific types of Series TY-B and TY-FRB sprinklers (Refer to Table A).

NOTICE

Model GUMC/GUWSU Sprinkler Guards described herein must be installed and maintained in compliance with this document and with the applicable standards of the NATIONAL FIRE PROTECTION ASSOCIATION, in addition to the standards of any authorities having jurisdiction. Failure to do so may impair the performance of these devices.

The owner is responsible for maintaining their fire protection system and devices in proper operating condition. Contact the installing contractor or product manufacturer with any questions.

IMPORTANT

Refer to Technical Data Sheet TFP2300 for warnings pertaining to regulatory and health information.

Always refer to Technical Data Sheet TFP700 for the "INSTALLER WARNING" that provides cautions with respect to handling and installation of sprinkler systems and components. Improper handling and installation can permanently damage a sprinkler system or its components and cause the sprinkler to fail to operate in a fire situation or cause it to operate prematurely.

Technical Data

Finish

Zinc Chromate

Physical Characteristics

Sprinkler Guards and Guard with Shield assemblies are Carbon Steel

Design Criteria

Model GUMC/GUWSU Sprinkler Guards must be used only with Series TY-B and TY-FRB sprinklers.

Refer to Table A for sprinkler guard compatibility.



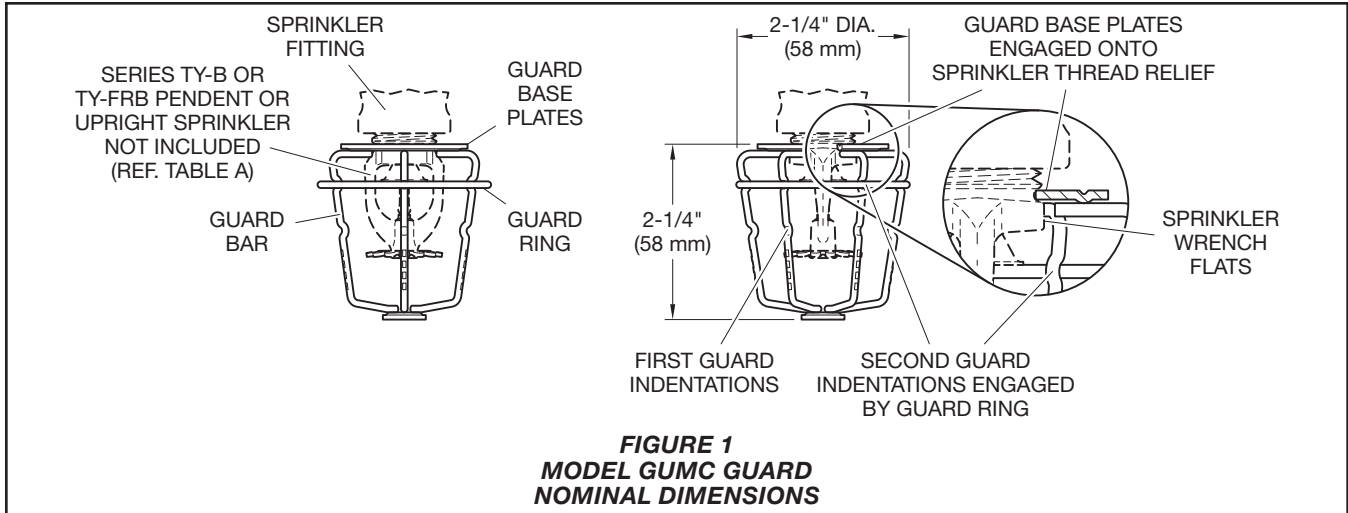


FIGURE 1
MODEL GUMC GUARD
NOMINAL DIMENSIONS

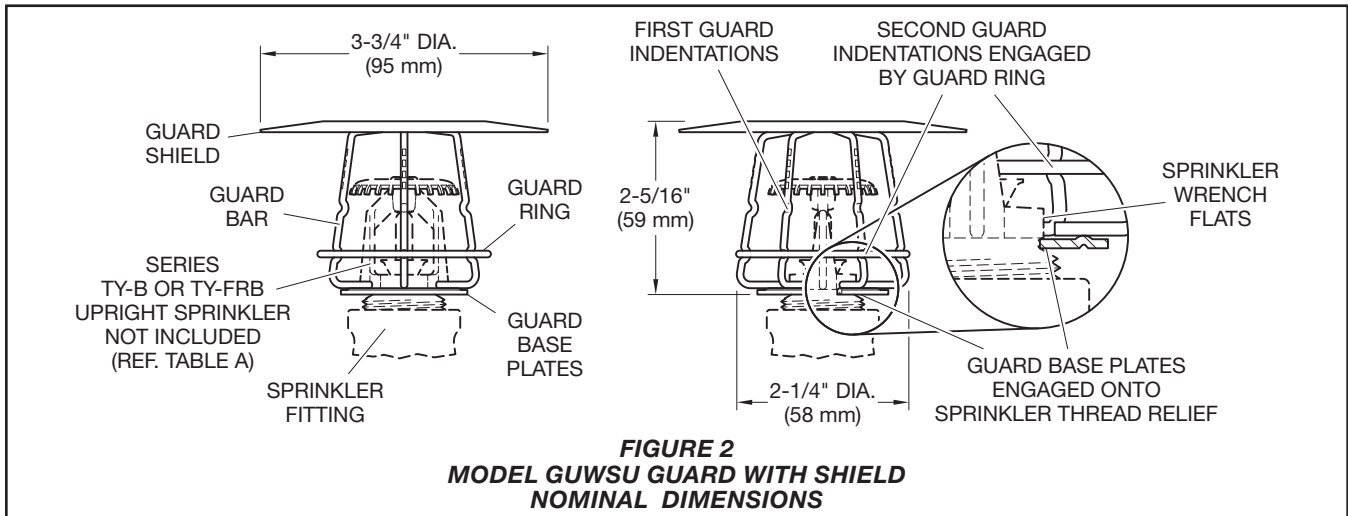


FIGURE 2
MODEL GUWSU GUARD WITH SHIELD
NOMINAL DIMENSIONS

Installation

TYCO Model GUMC/GUWSU Sprinkler Guards must be installed in accordance with this section (Ref. Figure 3).

Step 1. Install sprinkler in accordance with applicable sprinkler technical data sheet (Refer to Table A).

Step 2. Disengage Guard Ring from all indentations and carefully spread two halves of Guard sufficiently to clear sprinkler frame and deflector from side and mount Guard on sprinkler.

Step 3. Engage Guard Base plates into Sprinkler mounting Location (Ref. Table A).

Step 4. With Base Plates positioned on sprinkler mounting feature, fully engage Guard Ring into all first indentations.

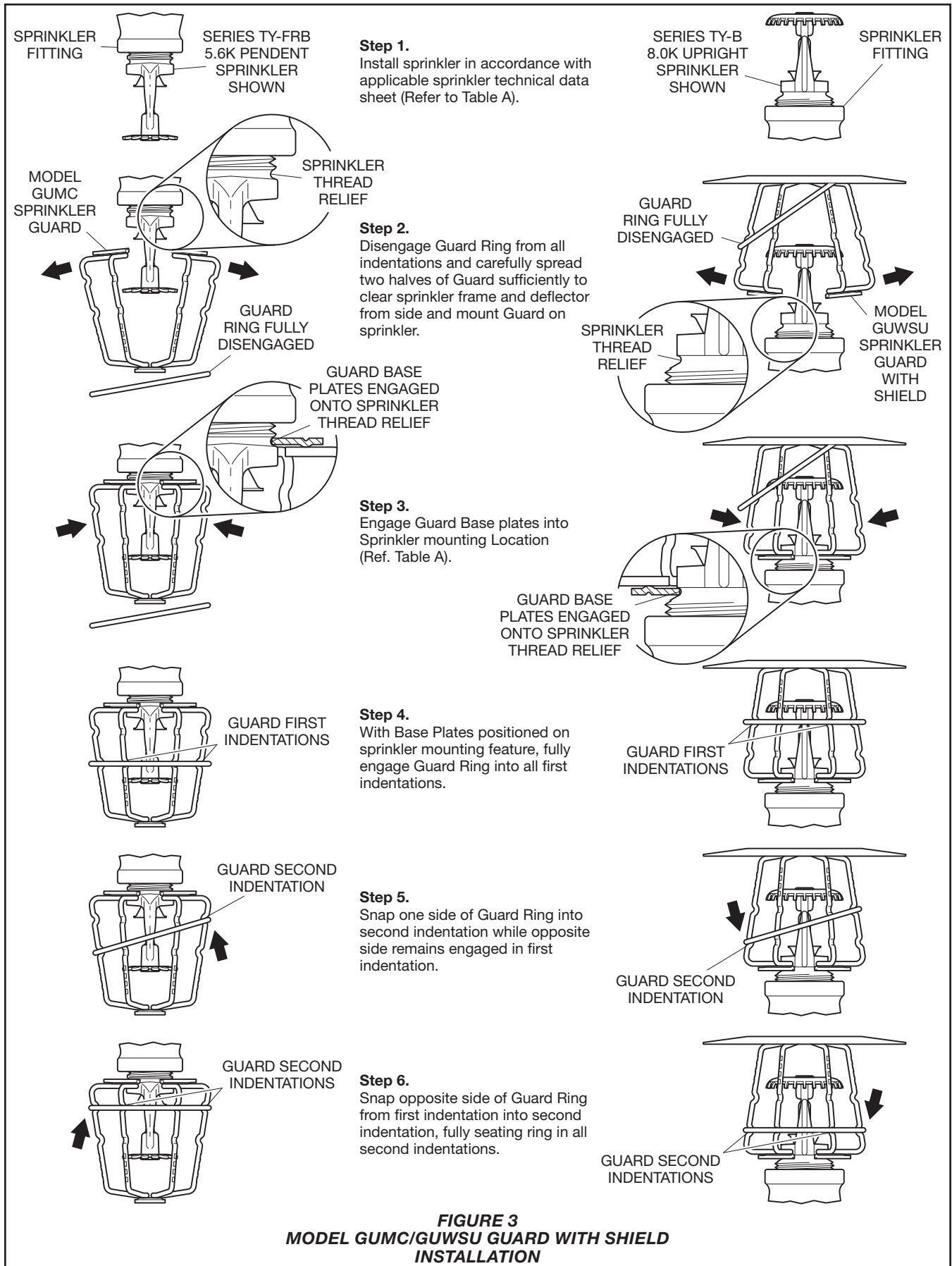
Step 5. Snap one side of Guard Ring into second indentation while opposite side remains engaged in first indentation.

Step 6. Snap opposite side of Guard Ring from first indentation into second indentation, fully seating ring in all second indentations.

NOTICE

Guard Ring should be fully seated in all second indentations to complete installation of GUMC/GUWSU Sprinkler Guard.

Guard Base Plates and Bars may be oriented in any position axially relative to sprinkler frame arms.



**FIGURE 3
MODEL GUMC/GUWSU GUARD WITH SHIELD
INSTALLATION**

Sprinkler Model	Data Sheet	SIN	Orientation	K-Factor	Thread Size NPT	Mounting Location	Guard Size	Guard with Shield Size
TY-B	TFP151	TY1151	Upright	2.8	1/2"	Thread Relief	15mm	15mm
	TFP151	TY1251	Pendent	2.8	1/2"	Thread Relief	15mm	N/A
	TFP152	TY315	Upright	5.6	1/2"	Thread Relief	15mm	15mm
	TFP152	TY325	Pendent	5.6	1/2"	Thread Relief	15mm	N/A
	TFP151	TY3151	Upright	5.6	1/2"	Thread Relief	15mm	15mm
	TFP151	TY3251	Pendent	5.6	1/2"	Thread Relief	15mm	N/A
	TFP151	TY4851	Upright	8.0	1/2"	Thread Relief	15mm	15mm
	TFP151	TY4951	Pendent	8.0	1/2"	Thread Relief	15mm	N/A
	TFP151	TY4151	Upright	8.0	3/4"	Thread Relief	20mm	20mm
	TFP151	TY4251	Pendent	8.0	3/4"	Thread Relief	20mm	N/A
	TFP161	TY3351	HSW	5.6	1/2"	Thread Relief	15mm	N/A
	TFP161	TY3451	VSW	5.6	1/2"	Thread Relief	15mm	N/A
TY-FRB	TFP171	TY1131	Upright	2.8	1/2"	Thread Relief	15mm	15mm
	TFP171	TY1231	Pendent	2.8	1/2"	Thread Relief	15mm	N/A
	TFP172	TY313	Upright	5.6	1/2"	Thread Relief	15mm	15mm
	TFP172	TY323	Pendent	5.6	1/2"	Thread Relief	15mm	N/A
	TFP171	TY3131	Upright	5.6	1/2"	Thread Relief	15mm	15mm
	TFP171	TY3231	Pendent	5.6	1/2"	Thread Relief	15mm	N/A
	TFP171	TY4131	Upright	8.0	3/4"	Thread Relief	20mm	20mm
	TFP171	TY4231	Pendent	8.0	3/4"	Thread Relief	20mm	N/A
	TFP176	TY3331	HSW	5.6	1/2"	Thread Relief	15mm	N/A
	TFP176	TY3431	VSW	5.6	1/2"	Thread Relief	15mm	N/A

N/A - Not Applicable

TABLE A
MODEL GUMC SPRINKLER GUARD AND GUWSU GUARD WITH SHIELD
SPRINKLER COMPATIBILITY

Care and Maintenance

TYCO Model GUMC/GUWSU Sprinkler Guards do not require any regularly scheduled maintenance; however, proper installation of the Sprinkler Guards should be verified during the annual visual inspection of the sprinklers.

Before closing a fire protection system main control valve for maintenance work on the fire protection system that it controls, obtain permission to shut down the affected fire protection system from the proper authorities and notify all personnel who may be affected by this action.

The owner is responsible for the inspection, testing, and maintenance of their fire protection system and devices in compliance with this document, as well as with the applicable standards of the

NATIONAL FIRE PROTECTION ASSOCIATION (e.g., NFPA 25), in addition to the standards of any other authorities having jurisdiction. Contact the installing contractor or product manufacturer with any questions.

Automatic sprinkler systems are recommended to be inspected, tested, and maintained by a qualified Inspection Service in accordance with local requirements and/or national codes.

The owner must assure that the sprinklers are not used for hanging of any objects and that the sprinklers are only cleaned by means of gently dusting with a feather-duster. Otherwise, non-operation in the event of a fire or inadvertent operation may result.

Ordering Procedure

Contact your local distributor for availability. When placing an order, indicate the full product name and Part Number (P/N).

Model GUMC Sprinkler Guard
Specify: Model GUMC Sprinkler Guard, (specify size), Zinc Chromate finish, P/N (specify):

- 1/2 Inch - 15mm..... GUMC15
- 3/4 Inch - 20mm.....GUMC20-1

Model GUWSU Sprinkler Guard with Shield

Specify: Model GUWSU Sprinkler Guard with Shield, (specify size), Zinc Chromate finish, P/N (specify):

- 1/2 Inch - 15mm..... GUWSU15
- 3/4 Inch - 20mm..... GUWSU20-1