

## MLC-S Sprinkler Pipe & Fittings for Concrete Ceilings

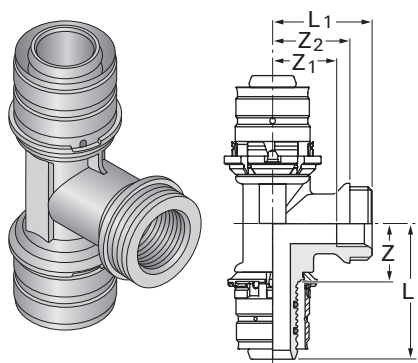
### MLC-S Press Fittings

#### Male/Female Press Sprinkler Tee



Sizes	32 x 1 MT / 1/2 FT x 32 and 32 x 1 MT / 3/4 FT x 32
Approvals	VdS approval no. G 4060066.
Tech Data Sheet	Contact Tyco for details

Tin-plated brass, with fixed press sleeve and red pressing jaw stop. ■ 1 MT male thread for the connection of Tyco sprinkler boxes to the Tyco MLCP-S sprinkler pipes in sprinkler ceilings according to VdS approval no. G 4060066. ■ Cylindrical female thread according to DIN EN 10226-1.



MLC-S Male/Female Press Sprinkler Tee								
Part No.	Dimension	Z mm	Z <sub>1</sub> mm	Z <sub>2</sub> mm	L mm	L <sub>1</sub> mm	Weight kg	Approval & Listings VdS
986236	32 x 1 MT / 1/2 FT x 32	26	29	35	56	45	0.370	√
986336	32 x 1 MT / 3/4 FT x 32	26	29	35	56	45	0.354	√