



Series DS-3 Dry-Type Sprinklers 11.2K Horizontal Sidewall Standard Response, Extended Coverage

General Description

TYCO Series DS-3 Dry-Type Sprinklers, 11.2K Horizontal Sidewall, Standard Response, Extended Coverage, Ordinary Hazard (ECOH) are decorative glass bulb automatic sprinklers. They are intended for use in applications where the sprinklers and/or a portion of the connecting piping may be exposed to freezing temperatures; for example, horizontal piping extensions through a wall to protect an unheated area of a building.

Series DS-3 Extended Coverage Ordinary Hazard Horizontal Sidewall, Dry-Type Sprinklers are designed for extended coverage use in ordinary hazard occupancies (ECOH) per NFPA 13.

Series DS-3 Dry-Type Sprinklers provide protection of coverage areas up to 16 ft x 20 ft (320 ft²) as compared to standard coverage horizontal sidewall sprinklers having a maximum coverage area of 10 ft x 10 ft (100 ft²) for ordinary hazard occupancies.

NOTICE

Series DS-3 Dry-Type Sprinklers described herein must be installed and maintained in compliance with this document, as well as with the applicable standards of the NATIONAL FIRE PROTECTION ASSOCIATION (NFPA), in addition to the standards of any other authorities having jurisdiction. Failure

IMPORTANT

Refer to Technical Data Sheet TFP2300 for warnings pertaining to regulatory and health information.

Always refer to Technical Data Sheet TFP700 for the "INSTALLER WARNING" that provides cautions with respect to handling and installation of sprinkler systems and components. Improper handling and installation can permanently damage a sprinkler system or its components and cause the sprinkler to fail to operate in a fire situation or cause it to operate prematurely.

to do so may impair the performance of these devices.

The owner is responsible for maintaining their fire protection system and devices in proper operating condition. Contact the installing contractor or product manufacturer with any questions.

Series DS-3 Dry-Type Sprinklers must only be installed in fittings that meet the requirements of the Design Criteria section. Installation of Series DS-3 Dry-Type Sprinklers in a recessed installation will void all sprinkler warranties, as well as void the sprinkler's laboratory Approvals.

Sprinkler Identification Number (SIN)

TY5339

Technical Data

Approvals

UL and C-UL Listed

See Table A and the Design Criteria section

Maximum Working Pressure

175 psi (12,1 bar)

Inlet Thread Connections

1 In. NPT
ISO 7-R 1

Discharge Coefficient

See Table B

Temperature Ratings

155°F (68°C) and 200°F (93°C)

Finishes

Sprinkler: See Table E
Escutcheon: See Table E



Physical Characteristics

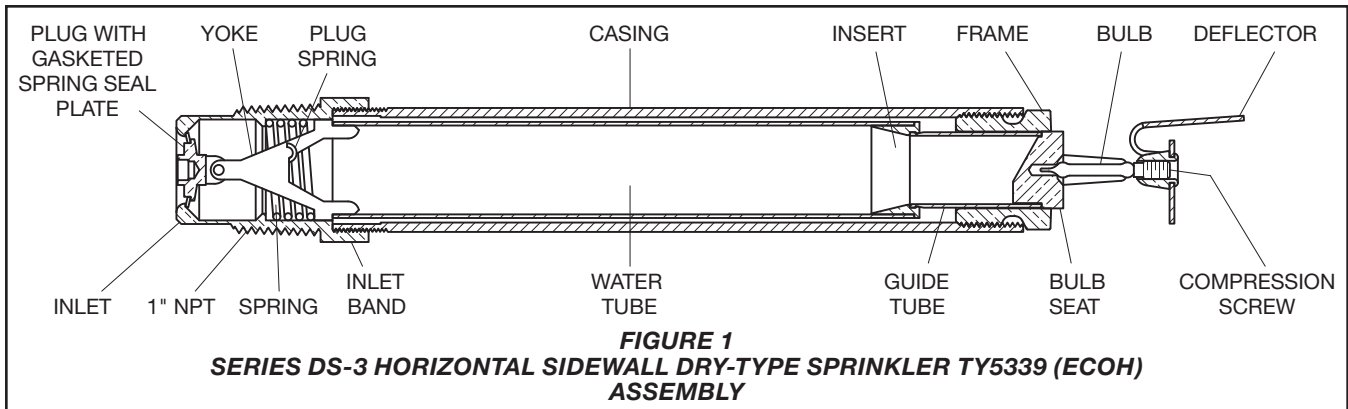
Inlet	Copper
Plug	Copper
Yoke	Stainless Steel
Casing	Galvanized Carbon Steel
Insert	Bronze
Bulb Seat	Bronze
Bulb	Glass (3 mm)
Compression Screw	Bronze
Deflector	Bronze
Frame	Bronze
Guide Tube	Stainless Steel
Water Tube	Stainless Steel
Spring	Stainless Steel
Sealing Assembly	Beryllium Nickel w/TEFLON
Pin	Stainless Steel
Button Spring	Stainless Steel
Helper Spring	Stainless Steel
Escutcheon	Carbon Steel

Operation

When TYCO Series DS-3 Dry-Type Sprinklers, 11.2K Horizontal Sidewall, Standard Response, Extended Coverage, Ordinary Hazard (ECOH) are in service, water is prevented from entering the assembly by the Plug with Sealing Assembly (see Figure 1) in the Inlet of the sprinkler.

The glass bulb contains a fluid that expands when exposed to heat. When the rated temperature is reached, the fluid expands sufficiently to shatter the glass bulb, and the Bulb Seat is released.

The compressed Spring is then able to expand and push the Water Tube as well as the Guide Tube outward. This action simultaneously pulls inward on the Yoke, withdrawing the Plug with Sealing Assembly from the Inlet allowing the sprinkler to activate and flow water.



Temperature Rating	Bulb Color Code	SPRINKLER FINISH		
		Natural Brass	Chrome Plated	White Polyester
155°F (68°C)	Red	1, 2		
200°F (93°C)	Green			

Notes:
 1. Listed by Underwriters Laboratories, Inc. (maximum order length of 48 in.)
 2. Listed by Underwriters Laboratories for use in Canada (maximum order length of 48 in.)

TABLE A
SERIES DS-3 HORIZONTAL SIDEWALL DRY-TYPE SPRINKLERS
EXTENDED COVERAGE, ORDINARY HAZARD (TY5339)
LABORATORY LISTINGS AND APPROVALS

Length, in. (mm)	K-factor, gpm/psi ^{1/2} (lpm/bar ^{1/2})
2-1/2 to 14-3/4 (63 mm to 375 mm)	11.2 (161,3)
15 to 18-3/4 (381 mm to 476 mm)	10.9 (157,0)
19 to 23 (483 mm to 584 mm)	10.8 (155,5)
23-1/4 to 26-3/4 (591 mm to 679 mm)	10.7 (154,1)
27-1/4 to 31-1/4 (692 mm to 794 mm)	10.6 (152,6)
31-1/2 to 35-1/4 (800 mm to 895 mm)	10.5 (151,2)
35-1/2 to 39-1/2 (902 mm to 1003 mm)	10.4 (149,8)
39-3/4 to 43-1/2 (1010 mm to 1105 mm)	10.3 (148,3)
43-3/4 to 48 (111 mm to 1219 mm)	10.2 (146,9)

Notes:

- K-factor Length is determined as follows:
- Flush: Order Length from Figure 2 plus 1/2 in. (12,7 mm)
- Deep: Order Length from Figure 4 plus 3-1/4 in. (82,6 mm)
- Without Escutcheon: Order Length from Figure 5 minus 2-1/4 in. (57,2 mm)

TABLE B
DISCHARGE COEFFICIENTS

Design Criteria

The TYCO Series DS-3 Dry-Type Sprinklers, 11.2K Horizontal Sidewall, Standard Response, Extended Coverage, Ordinary Hazard (ECOH) are for use in ordinary hazard occupancies with non-combustible unobstructed construction and with a ceiling slope not exceeding 2 in. per foot (9.2°), using the design criteria provided in Table C, as well as any additional requirements specified in NFPA 13 for Extended Coverage Sidewall Spray Sprinklers.

A 36 in. (914 mm) clearance must be maintained between the top of the sprinkler deflector and any miscellaneous storage.

Series DS-3 Dry-Type Sprinklers may be installed on sloped ceilings in loading docks with a maximum roof slope of 4 in. per foot (18.4°) as shown in Figure 8 and using the design criteria provided in Table C.

Sprinkler Fittings

Install 1 in. NPT Series DS-3 Dry-Type Sprinklers in the 1 in. NPT outlet or run of the following fittings:

- malleable or ductile iron threaded tee fittings that meet the dimensional requirements of ANSI B16.3 (Class 150)
- cast iron threaded tee fittings that meet the dimensional requirements of ANSI B16.4 (Class 125)

Do not install Series DS-3 Dry-Type Sprinklers into elbow fittings. The Inlet of the sprinkler can contact the interior of the elbow.

The unused outlet of the threaded tee is plugged as shown in Figure 6.

Series DS-3 Dry-Type Sprinklers can also be installed in the 1 in. NPT outlet of a GRINNELL Figure 730 Mechanical Tee. However, the use of the Figure 730 Tee for this arrangement is limited to wet pipe systems.

Application	Coverage Area ¹ W x L, ft x ft (m x m)	Minimum Flow ² , gpm (lpm)	Minimum Pressure ² , psi (bar)	Top of Deflector-to-Ceiling Distance ³ , in. (mm)	Temperature Rating	Minimum Spacing ⁴ , ft (m)
Series DS-3 (TY5339) Horizontal Sidewall Dry-Type Sprinkler (ECOH) OH Group 1 (0.15 gpm/sq.ft) Standard Response	16 x 16 (4,9 x 4,4)	38 (144)	11.5 (0,79)	6 to 12 (150 to 300)	155°F, 200°F (68°C, 93°C)	8 (2,4)
	16 x 18 (4,9 x 5,5)	43 (163)	14.7 (1,01)			
	16 x 20 (4,9 x 6,1)	48 (182)	18.4 (1,27)			
Series DS-3 (TY5339) Horizontal Sidewall Dry-Type Sprinkler (ECOH) OH Group 2 (0.20 gpm/sq.ft) Standard Response	16 x 16 (4,9 x 4,4)	51 (193)	20.7 (1,43)			
	16 x 18 (4,9 x 5,5)	58 (220)	26.8 (1,85)			
	16 x 20 (4,9 x 6,1)	64 (242)	32.7 (2,25)			

Notes:

- Backwall (where sprinkler is located) by sidewall (length of throw).
- Requirement is based on minimum flow in GPM from each sprinkler. The indicated residual pressures are based on the nominal K-factor of 11.2.
- The centerline of the sprinkler waterway is located below the deflector as shown in Figures 2, 3, and 4.
- Minimum spacing is for lateral distance between sprinklers located along a single wall. Otherwise adjacent sprinklers (that is, sidewall sprinklers on an adjacent wall, on an opposite wall, or pendent sprinklers) must be located outside of the maximum listed protection area of the extended coverage sidewall sprinkler being utilized.

TABLE C
SERIES DS-3 EXTENDED COVERAGE HORIZONTAL SIDEWALL DRY-TYPE SPRINKLERS
UL AND C-UL LISTING COVERAGE AND FLOW RATE CRITERIA

Ambient Temperature Exposed to Discharge End of Sprinkler	Temperatures for Heated Area ¹		
	40°F (4°C)	50°F (10°C)	60°F (16°C)
	Minimum Exposed Barrel Length ² , in. (mm)		
40°F (4°C)	0	0	0
30°F (-1°C)	0	0	0
20°F (-7°C)	4 (100)	0	0
10°F (-12°C)	8 (200)	1 (25)	0
0°F (-18°C)	12 (305)	3 (75)	0
-10°F (-23°C)	14 (355)	4 (100)	1 (25)
-20°F (-29°C)	14 (355)	6 (150)	3 (75)
-30°F (-34°C)	16 (405)	8 (200)	4 (100)
-40°F (-40°C)	18 (455)	8 (200)	4 (100)
-50°F (-46°C)	20 (510)	10 (255)	6 (150)
-60°F (-51°C)	20 (510)	10 (255)	6 (150)

Notes:

- For protected area temperatures that occur between values listed above, use the next cooler temperature.
- These lengths are inclusive of wind velocities up to 30 mph (18,6 kph).

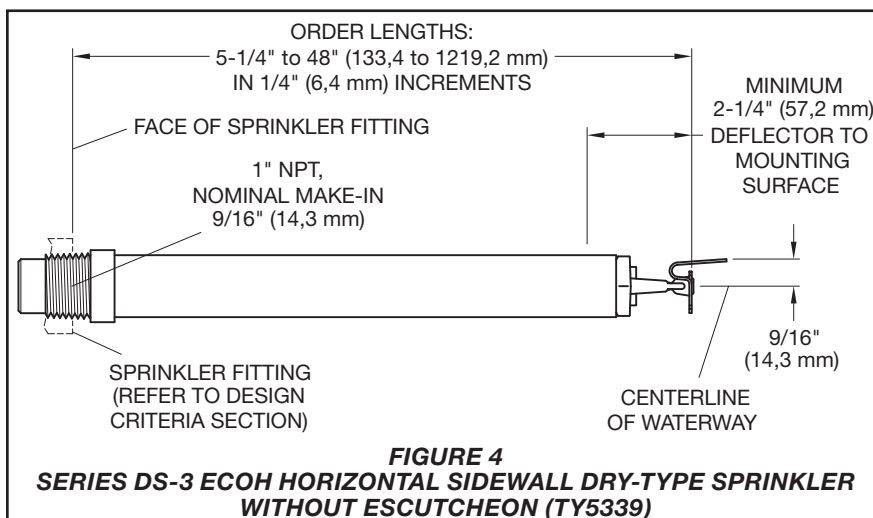
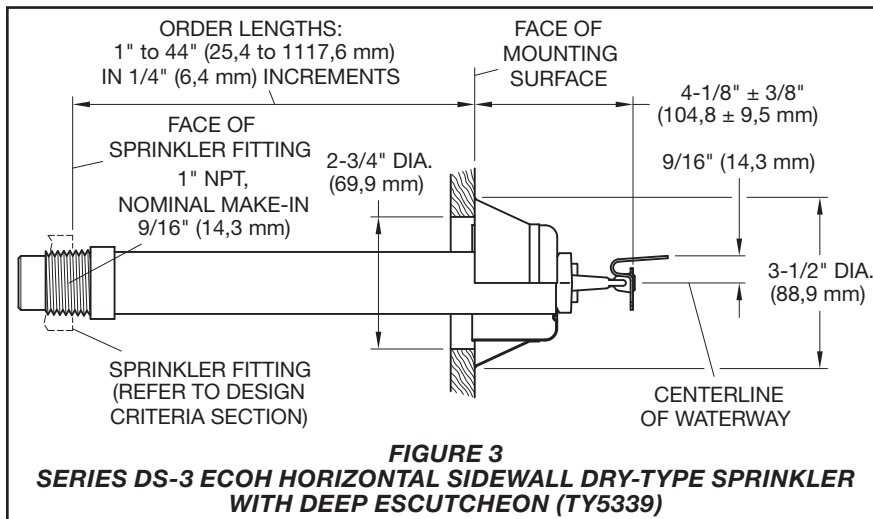
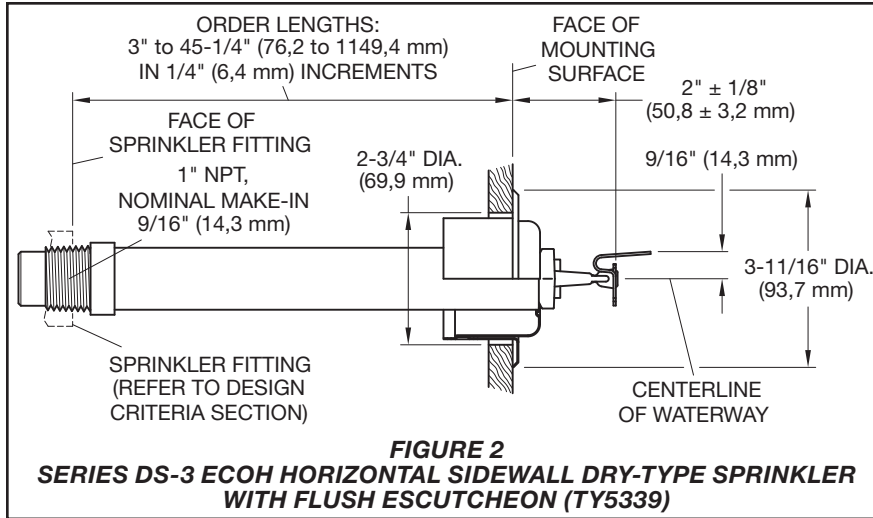
TABLE D
EXPOSED SPRINKLER BARRELS IN WET PIPE SYSTEMS
MINIMUM RECOMMENDED LENGTHS

The configuration shown in Figure 7 is only applicable for wet pipe systems where the sprinkler fitting and water-filled pipe above the sprinkler fitting are not subject to freezing and where the length of the Dry-Type Sprinkler has the minimum exposure length depicted in Figure 10. See the Exposure Length section.

For wet pipe system installations of 1 in. NPT Series DS-3 Dry-Type Sprinklers connected to CPVC piping, use only the following TYCO CPVC fittings:

- 1 in. x 1 in. NPT Female Adapter (P/N 80145)
- 1 in. x 1 in. x 1 in. NPT Sprinkler Head Adapter Tee (P/N 80249)

For dry pipe system installations, use only the side outlet of maximum 2 1/2 in. reducing tee when locating Series DS-3 Dry-Type Sprinklers directly below the branch line. Otherwise, use the configuration shown in Figure 6 to assure complete water drainage from above Series DS-3 Dry-Type Sprinklers and the branch line. Failure to do so may result in pipe freezing and water damage.



NOTICE

Do not install Series DS-3 Dry-Type Sprinklers into any other type fitting. Failure to use the appropriate fitting may result in one of the following:

- failure of the sprinkler to operate properly due to formation of ice over the Inlet Plug or binding of the Inlet Plug
- insufficient engagement of the Inlet pipe-threads with consequent leakage

Drainage

In accordance with the minimum requirements of the NATIONAL FIRE PROTECTION ASSOCIATION for dry pipe sprinkler systems, branch, cross, and feed-main piping connected to Dry Sprinklers and subject to freezing temperatures must be pitched for proper drainage.

Exposure Length

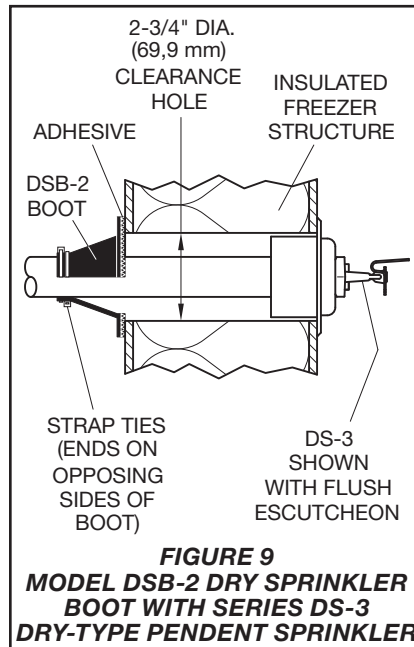
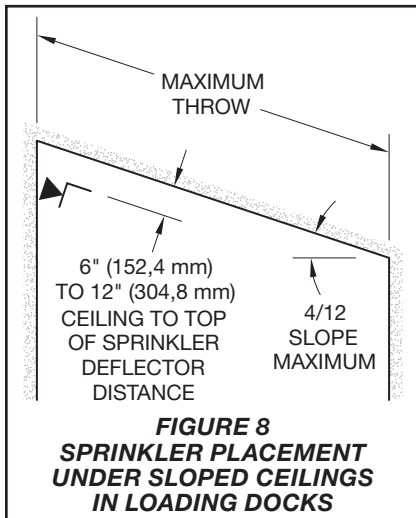
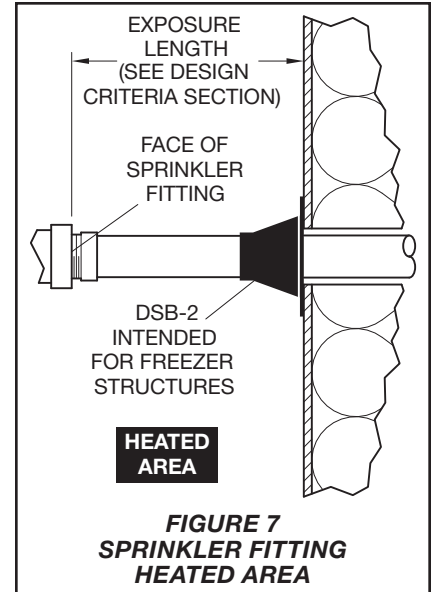
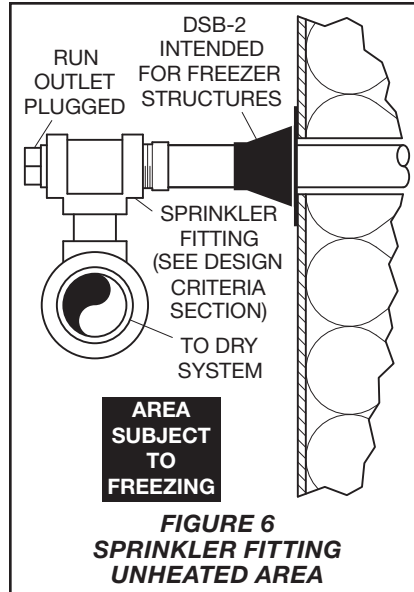
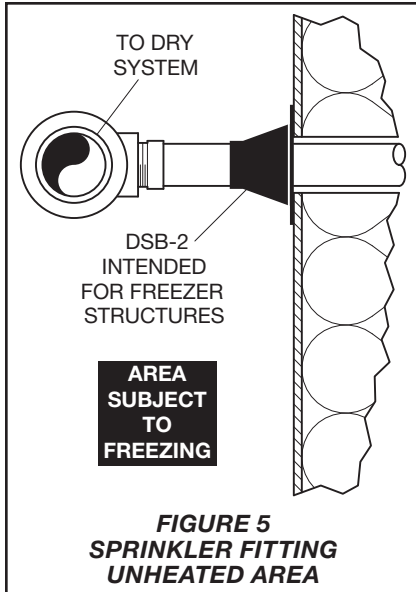
When using Dry Sprinklers in wet pipe sprinkler systems to protect areas subject to freezing temperatures, use Table D to determine a sprinkler's appropriate exposed barrel length to prevent water from freezing in the connecting pipes due to conduction. The exposed barrel length measurement must be taken from the face of the sprinkler fitting to the surface of the structure or insulation that is exposed to the heated area. See Figure 7 for an example.

For protected area temperatures between those given above, the minimum recommended length from the face of the fitting to the outside of the protected area may be determined by interpolating between the indicated values.

Clearance Space

In accordance with NFPA 13, when connecting an area subject to freezing and an area containing a wet pipe sprinkler system, the clearance space around the sprinkler barrel of Dry-Type Sprinklers must be sealed. Due to temperature differences between two areas, the potential for the formation of condensation in the sprinkler and subsequent ice build-up is increased. If this condensation is not controlled, ice build-up can occur that might damage the Dry-Type Sprinkler and/or prevent proper operation in a fire situation.

Use of the Model DSB-2 Dry Sprinkler Boot, described in Technical Data Sheet TFP591 and shown in Figure 9, can provide the recommended seal.



Installation

TYCO Series DS-3 Dry-Type Sprinklers, 11.2K Horizontal Sidewall, Standard Response, Extended Coverage, Ordinary Hazard (ECOH) must be installed in accordance with this section.

General Instructions

Series DS-3 Dry-Type Sprinklers must only be installed in fittings that meet the requirements of the Design Criteria section. See the Design Criteria section for other important requirements regarding piping design and sealing of the clearance space around the Sprinkler Casing. With reference to Figure 10, do not grasp the sprinkler by the deflector. Failure to follow this instruction may impair performance of the device.

Do not install any bulb-type sprinkler if the bulb is cracked or there is a loss of liquid from the bulb. With the sprinkler held horizontally, a small air bubble should be present. The diameter of the air bubble is approximately 1/16 in. (1,6 mm) for the 135°F (57°C) rating to 1/8 in. (3,2 mm) for the 360°F (182°C) rating.

A leak-tight 1 in. NPT sprinkler joint should be obtained by applying a minimum-to-maximum torque of 20 to 30 lb-ft (26,8 to 40,2 N·m). Higher levels of torque may distort the sprinkler Inlet with consequent leakage or impairment of the sprinkler.

Do not attempt to compensate for insufficient adjustment in an escutcheon plate by under or over-tightening the Sprinkler. Re-adjust the position of the sprinkler fitting to suit.

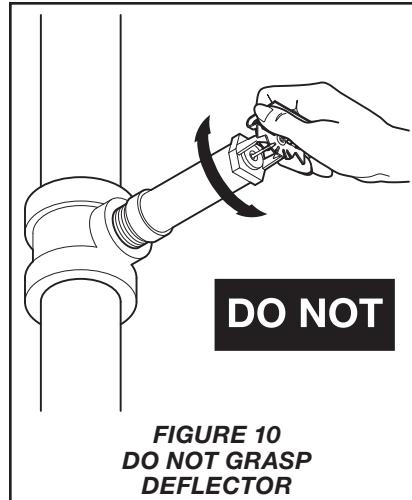
Step 1. Install horizontal sidewall sprinklers with the center line of waterway parallel to the ceiling and perpendicular to the back wall surface. The word "TOP" on the deflector must face upwards toward the ceiling.

Step 2. With a non-hardening pipe-thread sealant such as TEFLON applied to the Inlet threads, hand-tighten the sprinkler into the sprinkler fitting. Do not grasp the sprinkler by the deflector, see Figure 10.

Step 3. Wrench-tighten the sprinkler using either:

- a pipe wrench on the Inlet Band or the Casing, see Figure 1
- the W-Type 8 Sprinkler Wrench on the Wrench Flat, see Figure 11

Apply the Wrench Recess of the W-Type 8 Sprinkler Wrench to the Wrench Flat.



Note: If sprinkler removal becomes necessary, remove the sprinkler using the same wrenching method noted above. Sprinkler removal is easier when a non-hardening sealant was used and torque guidelines were followed. After removal, inspect the sprinkler for damage.

Step 4. After applying a wall finish, slide on the outer piece of the escutcheon until it comes in contact with the mounting surface.

For Deep Escutcheons, slide the outer skirt over the inner cup to make firm contact with the mounting surface.

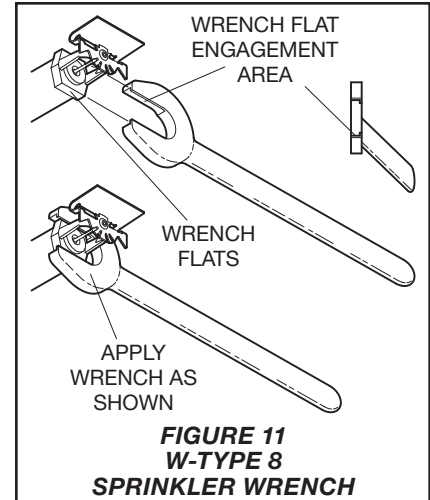
Care and Maintenance

TYCO Series DS-3 Dry-Type Sprinklers, 11.2K Horizontal Sidewall, Standard Response, Extended Coverage, Ordinary Hazard (ECOH) must be maintained and serviced in accordance with this section.

Before closing a fire protection system main control valve for maintenance work on the fire protection system that it controls, obtain permission to shut down the affected fire protection systems from the proper authorities and notify all personnel who may be affected by this action.

Absence of the outer piece of an escutcheon, which is used to cover a clearance hole, may delay the time to sprinkler operation in a fire situation.

A Vent Hole is provided in the Bulb Seat (Figure 1) to indicate if the Dry Sprinkler is remaining dry. Evidence of leakage from the Vent Hole indicates potential leakage past the Inlet seal and the need to remove the sprinkler to determine the cause of leakage; for example, an improper installation or an ice plug.



Close the fire protection system control valve and drain the system before removing the sprinkler.

Sprinklers which are found to be leaking or exhibiting visible signs of corrosion must be replaced.

Automatic sprinklers must never be painted, plated, coated, or otherwise altered after leaving the factory. Modified sprinklers must be replaced. Sprinklers that have been exposed to corrosive products of combustion, but have not operated, should be replaced if they cannot be completely cleaned by wiping the sprinkler with a cloth or by brushing it with a soft bristle brush.

Care must be exercised to avoid damage to the sprinklers – before, during, and after installation. Sprinklers damaged by dropping, striking, wrench twist/slippage, or the like, must be replaced. Also, replace any sprinkler that has a cracked bulb or that has lost liquid from its bulb, see the Installation Section.

The owner is responsible for the inspection, testing, and maintenance of their fire protection system and devices in compliance with this document, as well as with the applicable standards of the NATIONAL FIRE PROTECTION ASSOCIATION, such as NFPA 25, in addition to the standards of any other authorities having jurisdiction. Contact the installing contractor or product manufacturer with any questions.

Automatic sprinkler systems are recommended to be inspected, tested, and maintained by a qualified Inspection Service in accordance with local requirements and/or national codes.

P/N* 61 — XXX — X — XXX

ESCUTCHEON TYPE		SPRINKLER FINISH		ESCUTCHEON FINISH ¹		ORDER LENGTH ²	
161	Flush Escutcheon (1 in. NPT), 155°F (68°C)	1	NATURAL BRASS	BRASS PLATED		055	5.50 in.
163	Flush Escutcheon (1 in. NPT), 200°F (93°C)	4	SIGNAL WHITE (RAL9003) POLYESTER	SIGNAL WHITE (RAL9003) POLYESTER		082	8.25 in.
171	Deep Escutcheon (1 in. NPT), 155°F (68°C)			CHROME PLATED		180	18.00 in.
173	Deep Escutcheon (1 in. NPT), 200°F (93°C)	9	CHROME PLATED	CHROME PLATED		187	18.75 in.
151	Without Escutcheon (1 in. NPT), 155°F (68°C)	0	CHROME PLATED	SIGNAL WHITE (RAL9003) POLYESTER		372	37.25 in.
153	Without Escutcheon (1 in. NPT), 200°F (93°C)			SIGNAL WHITE (RAL9003) POLYESTER		480	48.00 in.

Notes:

1. Does not apply to assemblies without escutcheon.
2. Dry-Type Sprinklers are furnished based upon "Order Length" as measured per Figures 2, 3 & 4.
3. After the measurement is taken, round it to the nearest 1/4 in. increment.

* Use Prefix "I" for ISO 7-R1 Connection (e.g., I-61-161-1-055).

TABLE E
SERIES DS-3 HORIZONTAL SIDEWALL, DRY-TYPE SPRINKLERS (ECO) PART NUMBER SELECTION

Ordering Procedure

Contact your local distributor for availability. When placing an order, indicate the full product name, including description and Part Number (P/N).

Dry-Type Sprinklers

When ordering Series DS-3 Dry-Type Sprinklers, 11.2K Horizontal Sidewall, Standard Response, Extended Coverage, Ordinary Hazard (ECO), specify the following information:

- SIN TY5339
- Order Length:
Dry-Type Sprinklers are furnished based upon Order Length as measured from the face of the wall to the face of the sprinkler fitting, see Figures 2, 3 & 4. After the measurement is taken, round it to the nearest 1/4 in. increment.
- Inlet Thread Connections:
1 in. NPT
(Standard)
ISO 7-R 1
(For information on ISO Inlet Thread Connections, contact your Johnson Controls Sales Representative.)
- Temperature Rating
- Sprinkler Finish
- Escutcheon Type and Finish, as applicable
- Part Number from Table E

Sprinkler Wrench

Specify W-Type 8 Sprinkler Wrench, P/N 56-892-1-001

Sprinkler Boot

Specify Model DSB-2 Dry Sprinkler Boot, P/N 63-000-0-002

This Part Number includes one (1) Boot, two (2) Strap Ties, and 1/3 oz of Adhesive (a sufficient quantity for installing one boot).

