



DV-5A Automatic Water Control Valve Remote-Resetting Deluge Fire Protection Systems 1-1/2 Inch to 8 Inch (DN40 to DN200)

General Description

The TYCO DV-5A Automatic Water Control Valves are diaphragm type valves that can be used in remote-resetting deluge fire protection systems. When properly trimmed, the DV-5A Valve with Remote-Resetting Trim can be opened and closed during a full-flow condition from a remote location. Key features are as follows:

- Remote-resetting feature provides the ability to reset the valve from one or more locations.
- Compact, space-saving design reduces valve room footprint and construction costs.
- Electric actuation is compatible with many types of automatic and manual release options.
- Actuation of fire alarms upon system operation is provided.

The DV-5A Valves are offered with the DV-5A Valve and separately ordered semi-assembled trim shown in Figure 6, or, for ease of installation, with the DV-5A Valve completely trimmed with or without a System Main Control Valve.

The diaphragm style design of the DV-5A Valve allows external resetting, providing for easy resetting of a deluge system without having to open a valve handhole cover to manually reposition a clapper and/or latch mechanism. Simply re-pressurizing the diaphragm chamber resets the valve.

Operation of the DV-5A Valve with Remote-Resetting Trim is provided by an automatic electric detection system or remote manual electric activation. The easily installed trim configuration for the DV-5A Valve with Remote-Resetting Trim provides for emergency (manual) release of the valve at the valve location.



Available End Connections and Weights – lb/(kg)

End Connection		Nominal Valve Size ANSI Inches (DN)					
		1-1/2 (40)	2 (50)	3 (80)	4 (100)	6 (150)	8 (200)
Inlet	Outlet						
Thread	Thread	26 (11,8)	25 (11,3)	N/A	N/A	N/A	N/A
Groove	Groove	25 (11,3)	25 (11,3)	60 (27,2)	95 (43,1)	177 (80,3)	327 (148,3)
Flange	Groove	N/A	N/A	66 (30,0)	106 (48,1)	190 (86,2)	346 (157,0)
Flange	Flange	N/A	N/A	72 (32,7)	116 (52,6)	204 (92,5)	365 (165,6)

The DV-5A features internal and external coating of the valve to provide corrosion resistance. The external corrosion resistance of the epoxy coating permits the use of the DV-5A in corrosive atmospheres associated with many types of industrial processing plants and outdoor installations.

NOTICE

The DV-5A Valves described herein must be installed and maintained in compliance with this document, as well as with the applicable standards

of the NATIONAL FIRE PROTECTION ASSOCIATION (NFPA), in addition to the standards of any other authorities having jurisdiction. Failure to do so may impair the performance of these devices.

The owner is responsible for maintaining their fire protection system and devices in proper operating condition. Contact the installing contractor or product manufacturer with any questions.

IMPORTANT

Refer to Technical Data Sheet TFP2300 for warnings pertaining to regulatory and health information.

Item	Description	Qty.	Nominal Valve Size ANSI Inch (DN)					
			1-1/2 (DN40)	2 (DN50)	3 (DN80)	4 (DN100)	6 (DN150)	8 (DN200)
			P/N	P/N	P/N	P/N	P/N	P/N
1	Valve Body	1	N/R	N/R	N/R	N/R	N/R	N/R
2	Diaphragm	1	545000020	545000020	545000030	545000040	545000060	545000080
3	Diaphragm Cover	1	N/R	N/R	N/R	N/R	N/R	N/R
4	Hex Bolt, Short	2 ^a	545100001	545100001	545100002	545100003	545100004	545100003
5	Hex Bolt, Long	2	545100011	545100011	545100012	545100013	545100014	545100015
6	Lift Washer	2 ^b	N/A	N/A	545100021	545100022	545100023	545100022
7	Hex Nut	2	545100031	545100031	545100032	545100033	545100034	545100033
8	Hoist Ring	2	545100041	545100041	545100041	545100041	545100041	545100041
9	Flat Washer	2	N/A	N/A	545100024	545100025	545100026	545100025

NOTES:

- a. Hex Bolt, Short, Qty. 6 in 6 and 8 inch (DN150 and DN200) assemblies
- b. Lift Washer not used in 1-1/2 and 2 inch (DN40 and DN50) assemblies

c. N/R = Not Replaceable

- d. Order replacements parts only via Part Numbers given, do not replace Hex Bolt, Hex Nut, Lift Washer or Hoist Ring with common hardware parts

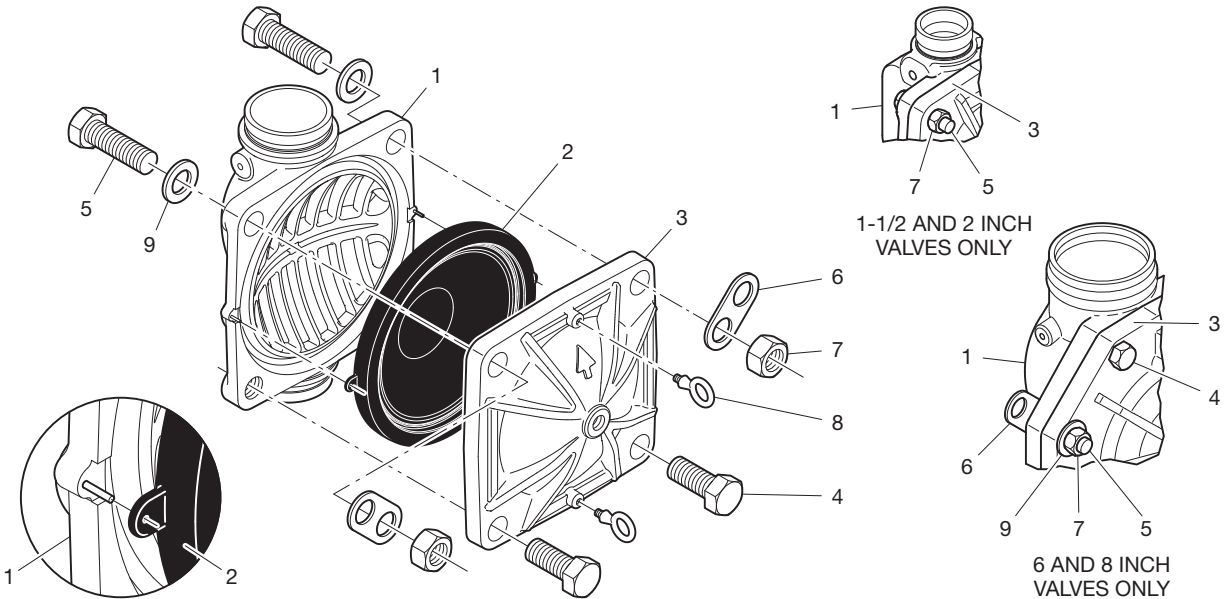
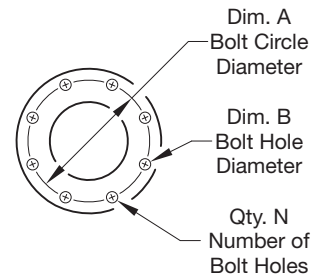


FIGURE 1
DV-5A VALVE ASSEMBLY AND REPLACEMENT PARTS

Nominal Valve Size ANSI Inches (DN)	Flange Drilling Specification											
	Nominal Dimensions in Inches and (mm)											
	ANSI B16.1 ^a (Class 125)			ISO 7005-2 (PN16) ^b			JIS B 2210 (10K)			AS 2129 (Table E)		
	A	B	N	A	B	N	A	B	N	A	B	N
3 (80)	6.00 (152,4)	0.75 (19,0)	4	6.30 (160,0)	0.75 (19,0)	8	5.90 (150,0)	0.59 (15,0)	8	5.75 (146,0)	0.71 (18,0)	4
4 (100)	7.50 (190,5)	0.75 (19,0)	8	7.09 (180,0)	0.75 (19,0)	8	6.89 (175,0)	0.60 (15,0)	8	7.00 (178,0)	0.71 (18,0)	8
6 (150)	9.50 (241,3)	0.88 (22,2)	8	9.45 (240,0)	0.91 (23,0)	8	9.45 (240,0)	0.75 (19,0)	8	9.25 (235)	0.87 (22,0)	8
8 (200)	11.75 (298,5)	0.88 (22,2)	8	11.61 (295,0)	0.91 (23,0)	12	11.42 (290,0)	0.75 (19,0)	12	11.50 (292,0)	0.87 (22,0)	8



NOTES:

- a. Same drilling as for ANSI B16.5 (Class 150) and ANSI B16.42 (Class 150)
- b. Same drilling as for BS 4504 Section 3.2 (PN16) and DIN 2532 (PN16)

TABLE A
FLANGE DRILLING SPECIFICATIONS

Port	Port Description	Port Sizes, NPT Inch per ANSI B1.20.1					
		1-1/2 (DN40)	2 (DN50)	3 (DN80)	4 (DN100)	6 (DN150)	8 (DN200)
P1	Diaphragm Chamber Supply	1/2	1/2	1/2	1/2	1/2	1/2
P2	Water Supply Pressure & Alarm Test	1/2	1/2	1/2	1/2	1/2	1/2
P3	Not Used	3/4	3/4	3/4	3/4	3/4	3/4
P4	Not Used	1/2	1/2	1/2	1/2	1/2	1/2
P5	System Drain	3/4	3/4	3/4	3/4	3/4	3/4
P6	Main Drain	3/4	3/4	1-1/4	2	2	2
P7	Alarm Actuation	1/2	1/2	1/2	1/2	1/2	1/2

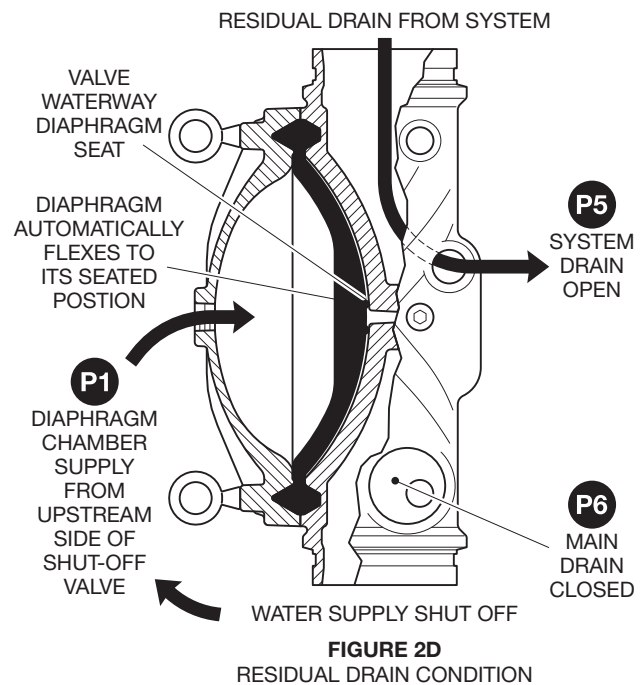
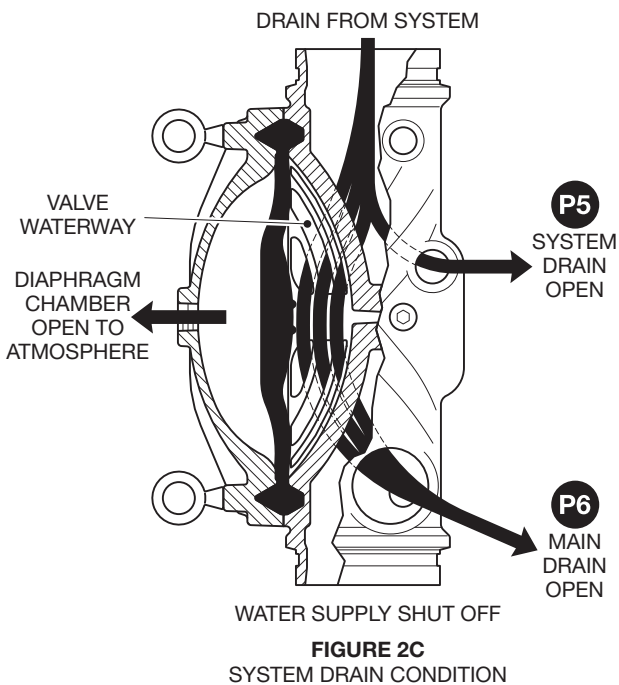
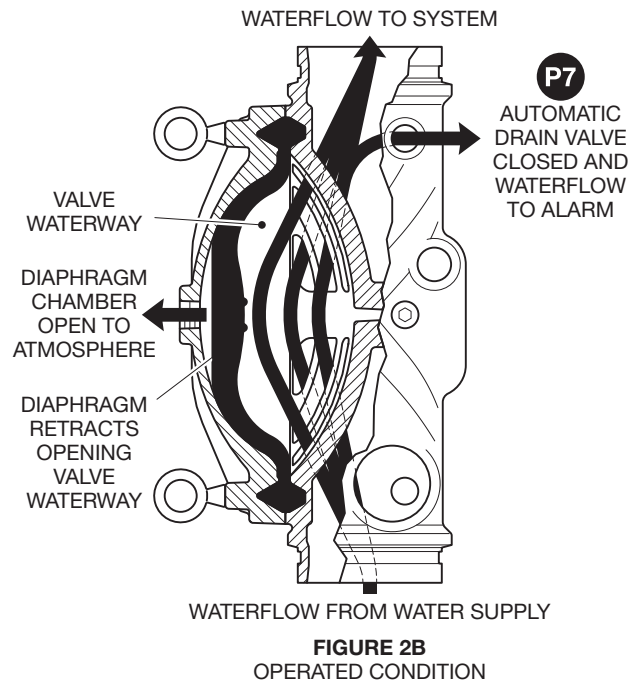
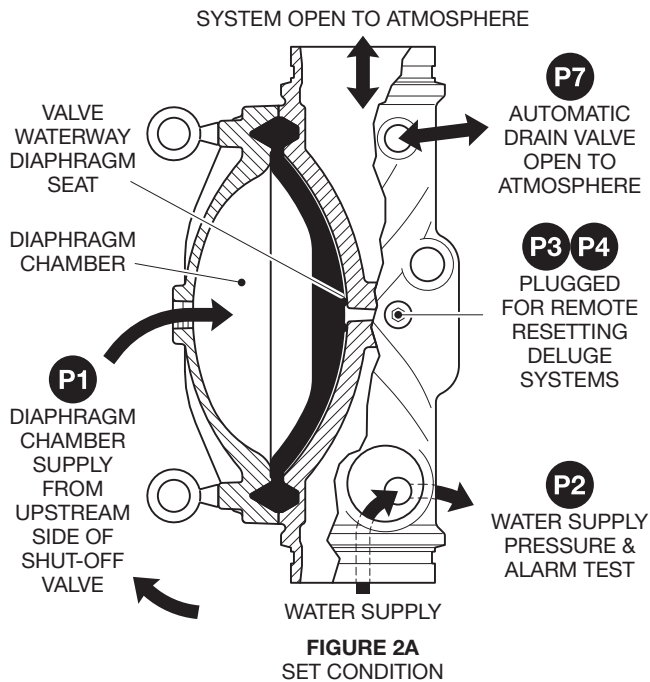
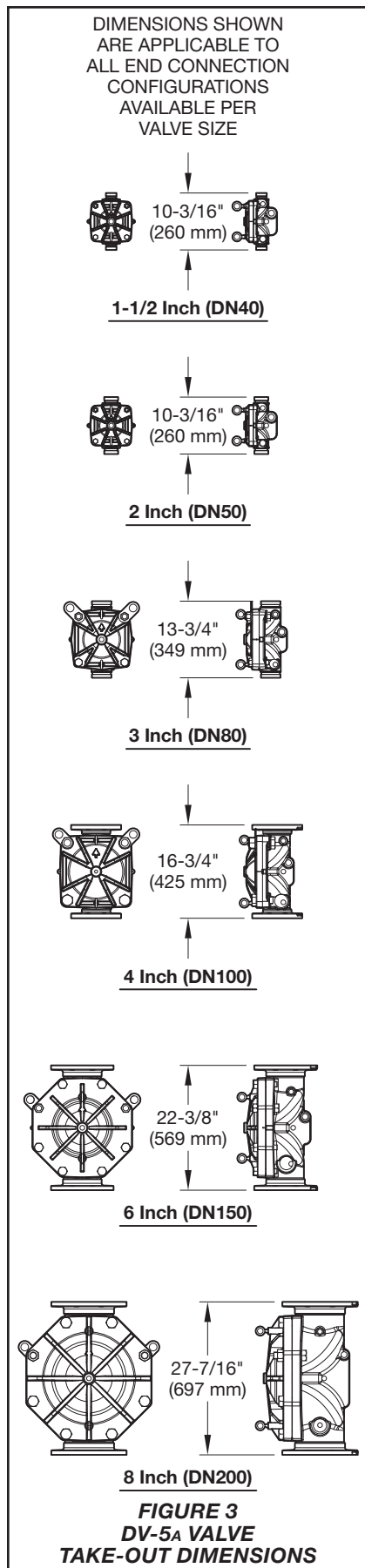


FIGURE 2
DV-5a VALVE OPERATION, DELUGE REMOTE-RESETTING SYSTEMS



Technical Data

Approvals

UL/C-UL Listed
VdS Approved

Listings and Approvals are based on DV-5A Valves being trimmed as described in this technical data sheet and in conjunction with the use of the Burkert Type 5282 Solenoid.

For local EMEA regional approvals, consult with your local distributor.

DV-5A Valve

Components for the 1-1/2 in. to 8 in. (DN40 to DN200) DV-5A Valves are shown in Figure 1. The DV-5A Valves are for vertical installations. They are rated for use at a service pressures of 20 to 300 psi (1,4 to 20,7 bar).

The take-out dimensions are shown in Figure 3, and flanged connections are available drilled per ANSI, ISO, AS, and JIS specifications (Ref. Table A). Threaded inlet and outlet connections are available in NPT or ISO 7/1. Threaded port connections are NPT threaded.

NOTE: PN16 flanges are pressure rated to 16 bar.

Valve Trim

The Maximum pressure rating is as follows:

- Deluge Remote-Resetting Trim is 232 psi (16 bar) dependent on separately ordered solenoid valve.

When the system pressure is greater than 175 psi (12,1 bar), provision is to be made to replace the standard order 300 psi (20,7 bar) Water Pressure Gauges with separately ordered 600 psi (41,4 bar) Water Pressure Gauges.

If the addition of an Alarm Control Valve is desired or required by the local AHJ, the Alarm Control Valve noted as Item H in Figure 9 is to be a separately ordered electronically supervised normally open valve.

External trim connections are NPT threaded. EMEA trim is provided with NPT x ISO 7/1 thread adapters.

For 8 in. VdS approved Deluge Remote-Resetting Trim, the maximum velocity for this valve application is 7.5 m/s.

Pressure Loss

Refer to Graph A

Reset Time

Refer to Graph B

Materials of Construction

Valve Body

Epoxy coated ductile iron per ASTM A536-77, Grade 65-45-12

Diaphragm Cover

Epoxy coated ductile iron per ASTM A536-77, Grade 65-45-12

Diaphragm

Polyester fabric reinforced, TEFLON coated, EPDM rubber per ASTM D2000

Diaphragm Cover Fasteners

Aluminum zinc coated steel

Common Hardware Trim

- Common hardware pipe fittings are galvanized or black as required and are malleable per ASME B16.3.
- Common hardware pipe nipples are galvanized or black as required and are Schedule 40 per ASTM A53 or A135.
- Common hardware compression fittings are brass per ASTM B16.
- Common hardware tubing is Type L copper per ASTM B88.

Design Criteria

The following items must be considered and applied accordingly for TYCO DV-5A Valve with Remote-Resetting Trim installations.

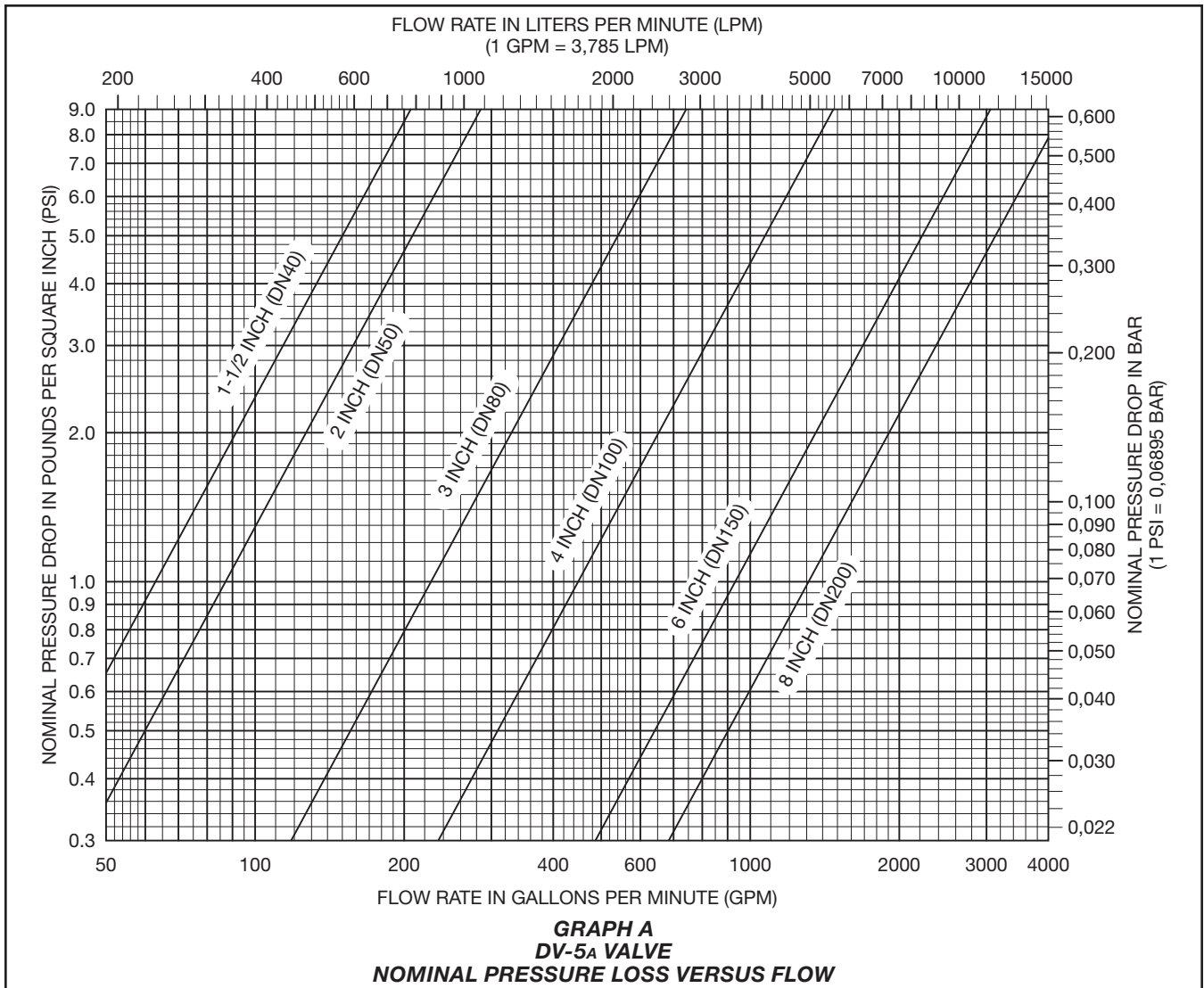
NOTICE

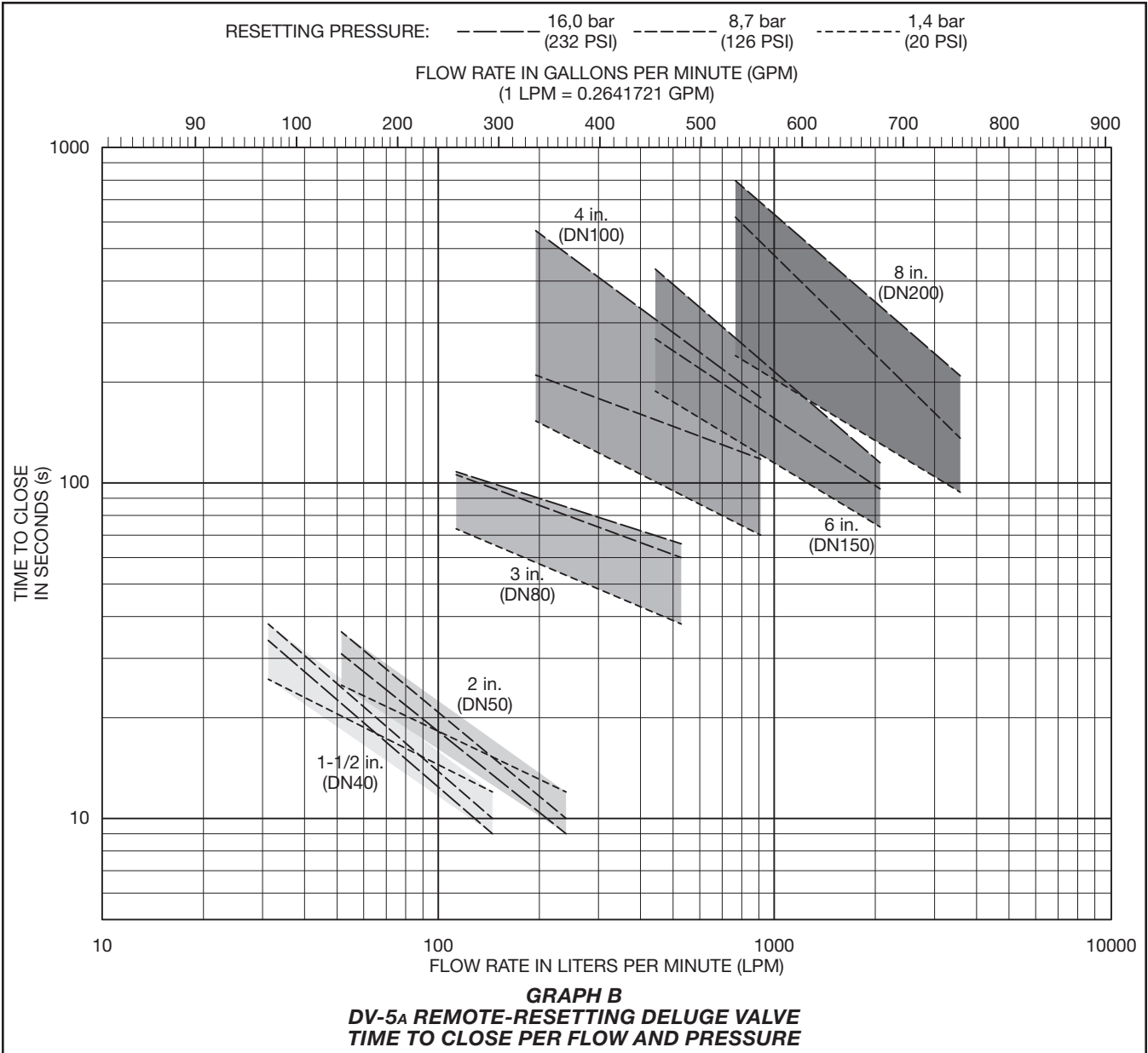
The owner is responsible to design into the system a releasing circuit such that a Solenoid Valve is properly configured to enable remote resetting.

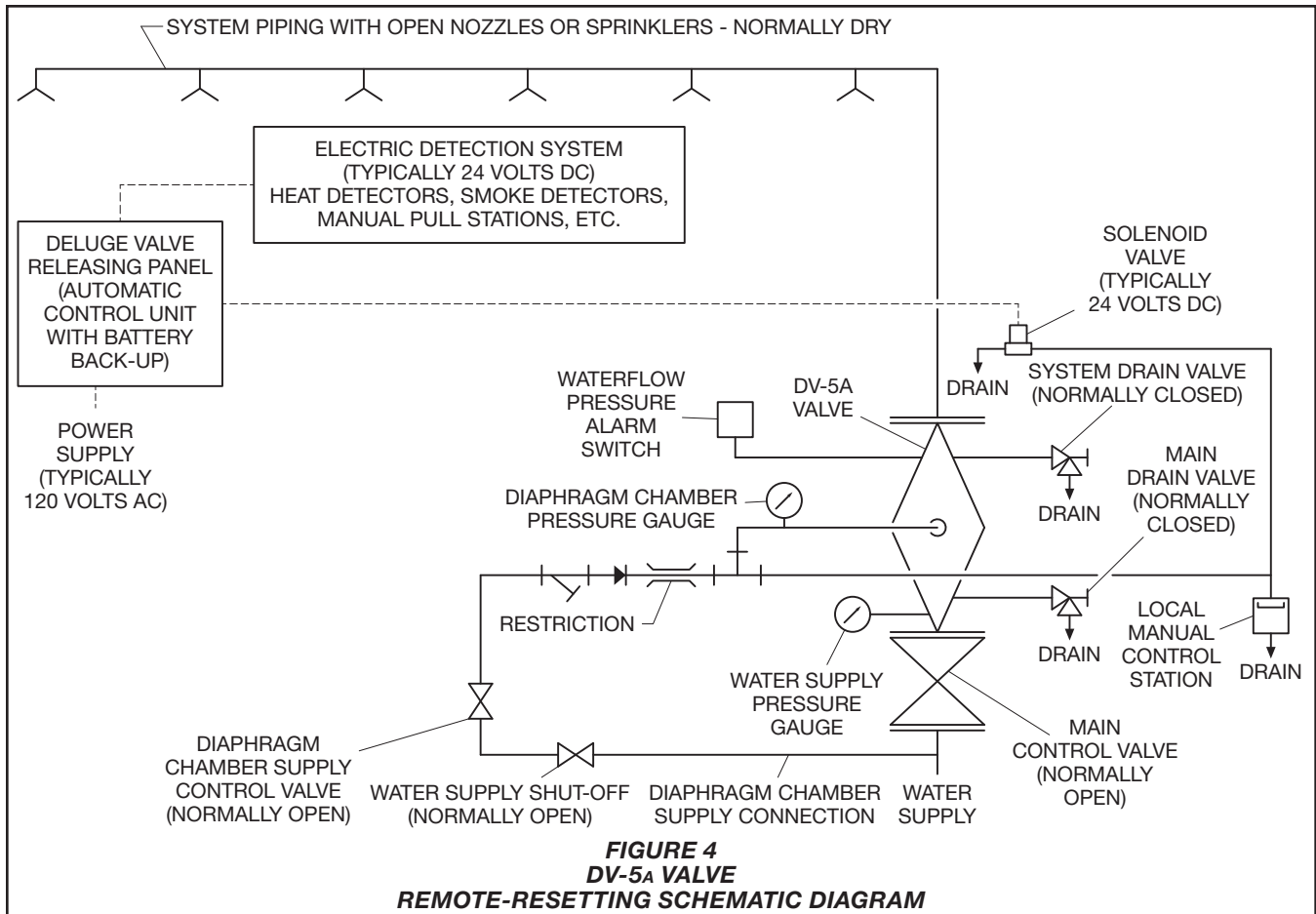
The building owner must be informed of the capabilities and limitations of a remote-resetting system as it pertains to the possibility of an inadvertent remote closing of the DV-5A Valve during a fire condition. Therefore, personnel responsible for the fire protection system must be fully trained on system components and required actions in the case of an alarm.

The Control Panel, Detectors, and Pull Stations are to be installed in accordance with their laboratory listings and approval.

System piping is to be installed so that it is self-draining. TYCO Model AD-2 Automatic Drain Valves can be used to drain low sections of pipe as necessary. For more information, refer to Technical Data Sheet TFP1632.







Operation

The TYCO DV-5A Valve is a diaphragm style valve that depends upon water pressure in the Diaphragm Chamber (Ref. Figure 2A) to hold the Diaphragm closed against the water supply pressure.

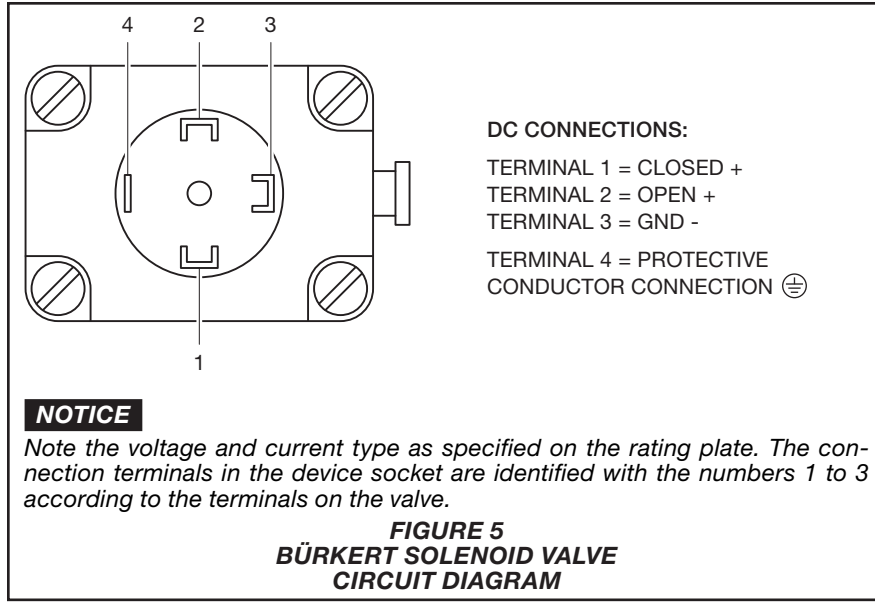
When the DV-5A Valve with Remote-Resetting Trim is set for service, the Diaphragm Chamber is pressurized through the trim connections from the inlet side of the system's main control valve.

With reference to Figure 4, initial activation of the Solenoid Valve due to electrical detection or activation of the electrical manual pull station results in the latched opening of the Sole-

noid Valve. Opening of the Solenoid Valve in the Remote-Resetting Trim releases water from the Diaphragm Chamber faster than it can be replenished through the Restriction in the Diaphragm Chamber Supply Connection provided in the trim. This release results in a rapid pressure drop in the Diaphragm Chamber, and the force differential applied through the Diaphragm that holds it in the set position is reduced below the valve trip point.

The water supply pressure then forces the Diaphragm open, permitting water to flow into the system piping, as well as through the Alarm Port to actuate system alarms.

To remotely reset the DV-5A Valve, the voltage to the Solenoid Valve must be transferred to the appropriate terminals of the Solenoid Valve (Ref. Figure 5) resulting in the latched closure of the Solenoid Valve. Closing of the Solenoid Valve in the Remote-Resetting Trim permits the Diaphragm Chamber to repressurize. This repressurizing results in a pressure increase in the Diaphragm Chamber. The resulting force repressurizes the Diaphragm Chamber, closing the valve and stopping the flow of water into the system piping.



Installation

The TYCO DV-5A Valve is to be installed in accordance with this section.

NOTICE

DV-5A Automatic Water Control Valves are designed to be used in freshwater systems. When supplying from different sources such as brackish water, saltwater, foam additives or others, the limited warranty is reduced to one year from the time of installation. An increase in frequency of inspections is required when the valve is exposed to such supplies and other corrosive conditions or chemicals that could impact valve materials or the operation of the assembly. All components must be designed accordingly for the increased demand.

Proper operation of the DV-5A Valves depends upon their trim being installed in accordance with the instructions given in this technical data sheet. Failure to follow the appropriate trim diagram may prevent the DV-5A Valve from functioning properly, as well as void approvals and the manufacturer's warranties.

The DV-5A Valve must be installed in a readily visible and accessible location.

The DV-5A Valve and associated trim must be maintained at a minimum temperature of 40°F (4°C).

Heat tracing of the DV-5A Valve or its associated trim is not permitted. Heat tracing can result in the formation of hardened mineral deposits that are capable of preventing proper operation.

Always open the system control valves slowly to avoid a sudden rush of water entering the system.

The DV-5A Valve is to be installed in accordance with the following criteria:

Step 1. All nipples, fittings, and devices must be clean and free of scale and burrs before installation. Use pipe thread sealant sparingly on male pipe threads only.

Step 2. The DV-5A Valve must be trimmed in accordance with Figure 6.

Note: If the addition of an Alarm Control Valve is desired or required by the local AHJ, the Alarm Control Valve noted as Item H in Figure 9 is to be a separately ordered electronically supervised normally open valve.

Step 3. Care must be taken to ensure that check valves, strainers, globe valves, etc. are installed with the flow arrows in the proper direction.

Step 4. Drain tubing to the Drip Funnel must be installed with smooth bends that will not restrict flow.

Step 5. The Main Drain and Drip Funnel Drain may be interconnected provided a check valve is located at least 12 in. (300 mm) below the Drip Funnel.

Step 6. Suitable provision must be made for disposal of drain water. Drainage water must be directed such that it will not cause accidental damage to property or danger to persons.

Step 7. Connect the Diaphragm Supply Valve to the inlet side of the System Main Control Valve in order to facilitate setting of the DV-5A Valve. Refer to Figure 9.

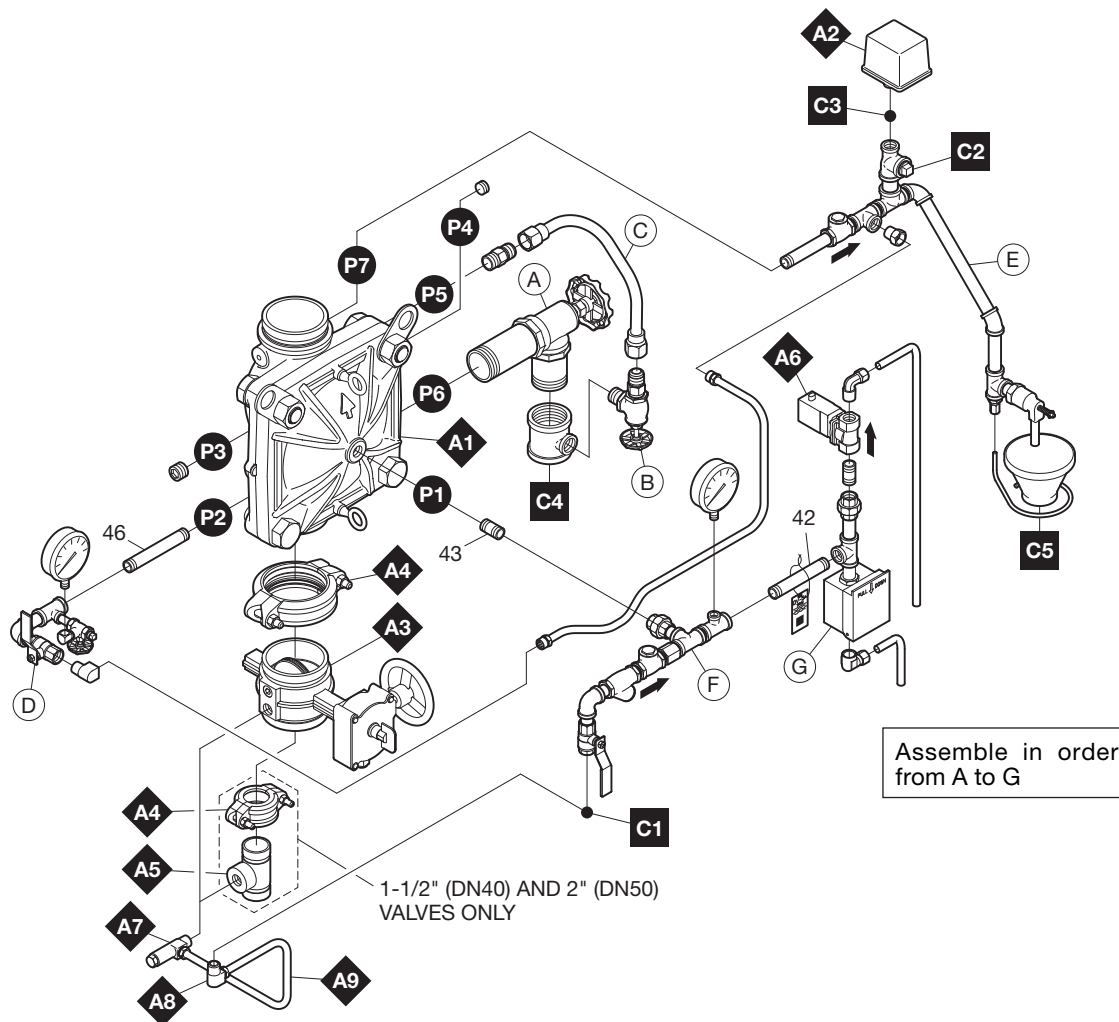
NOTICE

The connection to the Diaphragm Supply Valve should be as short as practical and from the same water supply as the system.

Step 8. Unused Pressure Alarm Switch connection must be plugged.

Step 9. Conduit and electrical connections are to be made in accordance with the applicable standards of the approval agency.

Step 10. Before a system hydrostatic test is performed, the DV-5A Diaphragm Chamber is to be depressurized, the Automatic Drain Valve is to be temporarily replaced with a plug, and the Diaphragm Cover Bolts must be uniformly and securely tightened using a cross-draw sequence. After tightening, double-check to make certain that all of the Diaphragm Cover Bolts are securely tightened. Refer to Table B in the Care and Maintenance section for torque specifications.

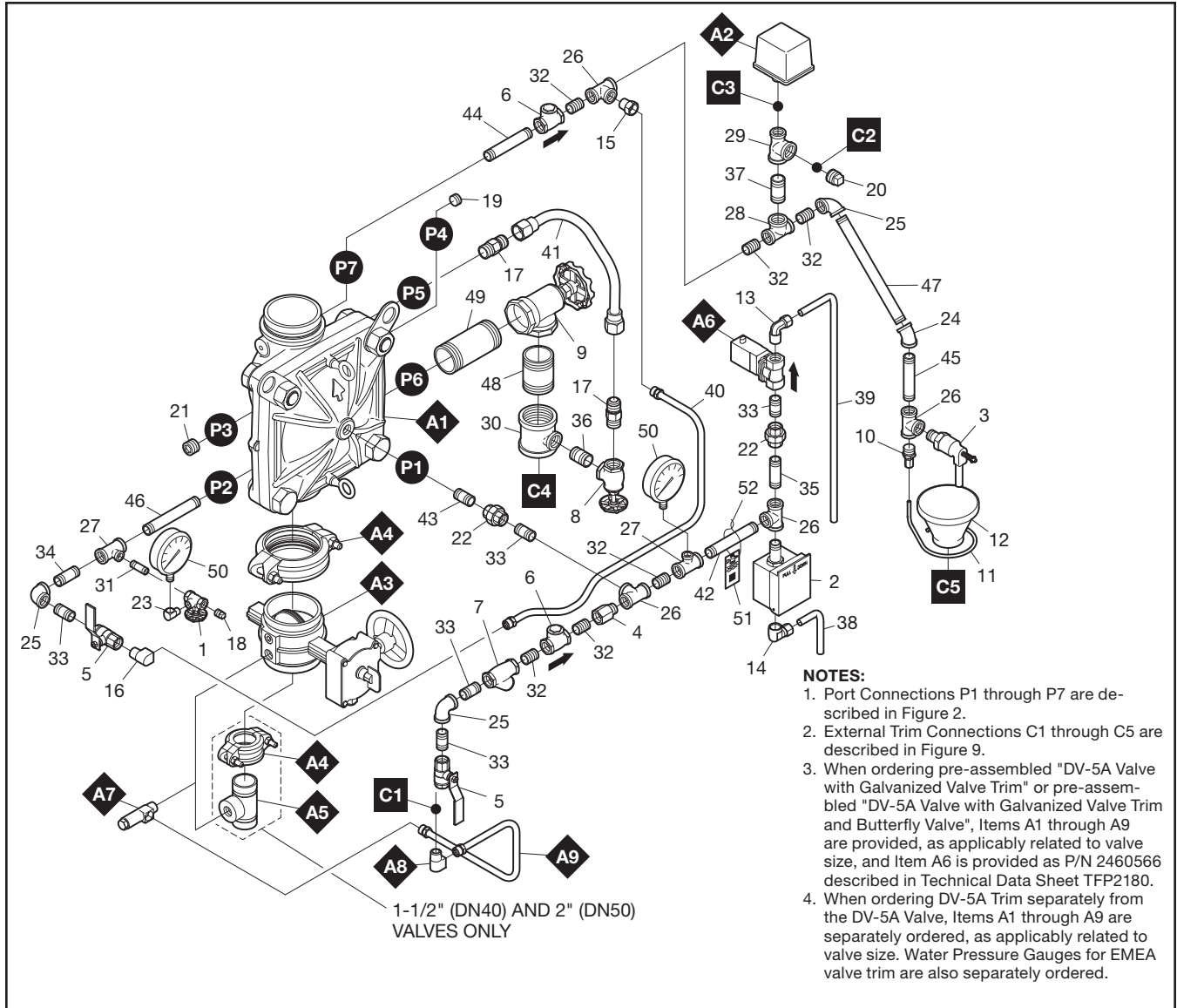


NOTES:

1. Port Connections P1 through P7 are described in Figure 2.
2. External Trim Connections C1 through C5 are described in Figure 9.
3. When ordering pre-assembled "DV-5_A Valve with Galvanized Valve Trim" or pre-assembled "DV-5_A Valve with Galvanized Valve Trim and Butterfly Valve", Items A1 through A9 are provided, as applicably related to valve size, and Item A6 is provided as P/N 2460566 described in Technical Data Sheet TFP2180.
4. When ordering DV-5_A Trim separately from the DV-5_A Valve, Items A1 through A9 are separately ordered, as applicably related to valve size. Water Pressure Gauges for EMEA valve trim are also separately ordered.

NIPPLE SELECTION PER VALVE SIZE						
NIPPLE	1-1/2 IN. (DN40)	2 IN. (DN50)	3 IN. (DN80)	4 IN. (DN100)	6 IN. (DN150)	8 IN. (DN200)
42	1/2" x 2"	1/2" x 2"	1/2" x 2"	1/2" x 5"	1/2" x 6-1/2"	1/2" x 6-1/2"
43	1/2" x 3"	1/2" x 3"	1/2" x 1-1/2"	1/2" x 1-1/2"	1/2" x 1-1/2"	1/2" x 2"
46	1/2" x 3-1/2"	1/2" x 3-1/2"	1/2" x 4-1/2"	1/2" x 5-1/2"	1/2" x 5-1/2"	1/2" x 6-3/4"

FIGURE 6
DV-5A VALVES
REMOTE-RESETTING TRIM
SEMI-ASSEMBLED



- NOTES:**
1. Port Connections P1 through P7 are described in Figure 2.
 2. External Trim Connections C1 through C5 are described in Figure 9.
 3. When ordering pre-assembled "DV-5A Valve with Galvanized Valve Trim" or pre-assembled "DV-5A Valve with Galvanized Valve Trim and Butterfly Valve", Items A1 through A9 are provided, as applicably related to valve size, and Item A6 is provided as P/N 2460566 described in Technical Data Sheet TFP2180.
 4. When ordering DV-5A Trim separately from the DV-5A Valve, Items A1 through A9 are separately ordered, as applicably related to valve size. Water Pressure Gauges for EMEA valve trim are also separately ordered.

ITEM	QTY	DESCRIPTION	CH	1-1/2 IN. (DN40)	2 IN. (DN50)	3 IN. (DN80)	4 IN. (DN100)	6 IN. (DN150)	8 IN. (DN200)
1	1	1/4" GAUGE TEST VALVE		460051003	460051003	460051003	460051003	460051003	460051003
2	1	MC-2 MANUAL CONTROL STATION		545002000	545002000	545002000	545002000	545002000	545002000
3	1	AD-3 AUTOMATIC DRAIN VALVE		547932004	547932004	547932004	547932004	547932004	547932004
4	1	PRIMING SUPPLY RESTRICTION		545100051	545100051	545100051	545100051	545100051	545100051
5	2	1/2" BALL VALVE		460501004	460501004	460501004	460501004	460501004	460501004
6	2	1/2" SWING CHECK VALVE		460491007	460491007	460491007	460491007	460491007	460491007
7	1	1/2" Y-STRAINER		523531006	523531006	523531006	523531006	523531006	523531006
8	1	3/4" ANGLE VALVE		460481010	460481010	460481010	460481010	460481010	460481010
9	1	ANGLE VALVE		460481010	460481010	460481011	460481012	460481012	460481012
10	1	DRIP FUNNEL BRACKET CONNECTOR		922111005	922111005	922111005	922111005	922111005	922111005
11	1	DRIP FUNNEL BRACKET		922111003	922111003	922111003	922111003	922111003	922111003
12	1	DRIP FUNNEL		923431007	923431007	923431007	923431007	923431007	923431007
13	1	COMP. FITTING 90° 1/2" MNPT x 1/2" OD TUBE	✓	—	—	—	—	—	—
14	1	COMP. FITTING 90° 1/2" FNPT x 1/2" OD TUBE	✓	—	—	—	—	—	—
15	1	FLARE FITTING 1/2" NPT x 1/2" TUBE		545100061	545100061	545100061	545100061	545100061	545100061
16	1	FLARE FITTING 90° 1/2" NPT x 1/2" TUBE		545100062	545100062	545100062	545100062	545100062	545100062
17	2	FLARE FITTING 3/4" NPT x 3/4" TUBE		545100063	545100063	545100063	545100063	545100063	545100063
18	1	PIPE PLUG	✓	1/4"	1/4"	1/4"	1/4"	1/4"	1/4"
19	1	SOCKET HEAD PIPE PLUG	✓	1/2"	1/2"	1/2"	1/2"	1/2"	1/2"

FIGURE 7 (1 OF 2)
DV-5A VALVES – REMOTE-RESETTING TRIM – EXPLODED VIEW

ITEM	QTY	DESCRIPTION	CH	1-1/2 IN. (DN40)	2 IN. (DN50)	3 IN. (DN80)	4 IN. (DN100)	6 IN. (DN150)	8 IN. (DN200)
20	1	PIPE PLUG	✓	3/4"	3/4"	3/4"	3/4"	3/4"	3/4"
21	1	SOCKET HEAD PIPE PLUG	✓	3/4"	3/4"	3/4"	3/4"	3/4"	3/4"
22	2	UNION	✓	1/2"	1/2"	1/2"	1/2"	1/2"	1/2"
23	1	STREET ELBOW	✓	1/4" x 90°	1/4" x 90°	1/4" x 90°	1/4" x 90°	1/4" x 90°	1/4" x 90°
24	1	ELBOW	✓	1/2" x 45°	1/2" x 45°	1/2" x 45°	1/2" x 45°	1/2" x 45°	1/2" x 45°
25	3	ELBOW	✓	1/2" x 90°	1/2" x 90°	1/2" x 90°	1/2" x 90°	1/2" x 90°	1/2" x 90°
26	4	TEE	✓	1/2"	1/2"	1/2"	1/2"	1/2"	1/2"
27	2	REDUCING TEE	✓	1/2" x 1/2" x 1/4"	1/2" x 1/2" x 1/4"	1/2" x 1/2" x 1/4"	1/2" x 1/2" x 1/4"	1/2" x 1/2" x 1/4"	1/2" x 1/2" x 1/4"
28	1	REDUCING TEE	✓	1/2" x 1/2" x 3/4"	1/2" x 1/2" x 3/4"	1/2" x 1/2" x 3/4"	1/2" x 1/2" x 3/4"	1/2" x 1/2" x 3/4"	1/2" x 1/2" x 3/4"
29	1	REDUCING TEE	✓	3/4" x 1/2" x 3/4"	3/4" x 1/2" x 3/4"	3/4" x 1/2" x 3/4"	3/4" x 1/2" x 3/4"	3/4" x 1/2" x 3/4"	3/4" x 1/2" x 3/4"
30	1	REDUCING TEE	✓	3/4" x 3/4" x 3/4"	3/4" x 3/4" x 3/4"	1-1/4" x 1-1/4" x 3/4"	2" x 2" x 3/4"	2" x 2" x 3/4"	2" x 2" x 3/4"
31	1	PIPE NIPPLE	✓	1/4" x 1-1/2"	1/4" x 1-1/2"	1/4" x 1-1/2"	1/4" x 1-1/2"	1/4" x 1-1/2"	1/4" x 1-1/2"
32	6	PIPE NIPPLE	✓	1/2" x CLOSE	1/2" x CLOSE	1/2" x CLOSE	1/2" x CLOSE	1/2" x CLOSE	1/2" x CLOSE
33	5	PIPE NIPPLE	✓	1/2" x 1-1/2"	1/2" x 1-1/2"	1/2" x 1-1/2"	1/2" x 1-1/2"	1/2" x 1-1/2"	1/2" x 1-1/2"
34	1	PIPE NIPPLE	✓	1/2" x 2"	1/2" x 2"	1/2" x 2"	1/2" x 2"	1/2" x 2"	1/2" x 2"
35	1	PIPE NIPPLE	✓	1/2" x 2-1/2"	1/2" x 2-1/2"	1/2" x 2-1/2"	1/2" x 2-1/2"	1/2" x 2-1/2"	1/2" x 2-1/2"
36	1	PIPE NIPPLE	✓	3/4" x 1-1/2"	3/4" x 1-1/2"	3/4" x 1-1/2"	3/4" x 1-1/2"	3/4" x 1-1/2"	3/4" x 1-1/2"
37	1	PIPE NIPPLE	✓	3/4" x 2"	3/4" x 2"	3/4" x 2"	3/4" x 2"	3/4" x 2"	3/4" x 2"
38	1	TUBING, MC-2 DRAIN		535000720	535000720	535000730	535000740	535000760	535000780
39	1	TUBING, SOLENOID DRAIN		535000820	535000820	535000830	535000840	535000860	535000880
40	1	TUBING ASSY, ALARM TEST INTERCONNECT		535000920	535000920	535000930	535000940	535000960	535000980
41	1	TUBING ASSY, SYSTEM DRAIN		535000420	535000420	535000430	535000440	535000460	535000480
42	1	PIPE NIPPLE	✓	1/2" x 2"	1/2" x 2"	1/2" x 2"	1/2" x 5"	1/2" x 6-1/2"	1/2" x 6-1/2"
43	1	PIPE NIPPLE	✓	1/2" x 3"	1/2" x 3"	1/2" x 1-1/2"	1/2" x 1-1/2"	1/2" x 1-1/2"	1/2" x 2"
44	1	PIPE NIPPLE	✓	1/2" x 3-1/4"	1/2" x 3-1/4"	1/2" x 3-1/4"	1/2" x 4-1/2"	1/2" x 4-1/2"	1/2" x 3-1/4"
45	1	PIPE NIPPLE	✓	1/2" x 3-1/2"	1/2" x 3-1/2"	1/2" x 3-1/2"	1/2" x 4"	1/2" x 6-3/4"	1/2" x 6-3/4"
46	1	PIPE NIPPLE	✓	1/2" x 3-1/2"	1/2" x 3-1/2"	1/2" x 4-1/2"	1/2" x 5-1/2"	1/2" x 5-1/2"	1/2" x 6-3/4"
47	1	PIPE NIPPLE	✓	1/2" x 6"	1/2" x 6"	1/2" x 6-3/4"	1/2" x 9-1/2"	1/2" x 9-1/2"	1/2" x 9-1/2"
48	1	PIPE NIPPLE	✓	3/4" x 4-1/2"	3/4" x 4-1/2"	1-1/4" x 3-1/4"	2" x 3"	2" x 3"	2" x 3"
49	1	PIPE NIPPLE	✓	3/4" x 6-1/2"	3/4" x 6-1/2"	1-1/4" x 5-1/2"	2" x 5"	2" x 6"	2" x 8"
50	2	WATER PRESSURE GAUGE, 300 PSI / 2000 kPa (AMER/APAC)		923431005	923431005	923431005	923431005	923431005	923431005
	2	WATER PRESSURE GAUGE, 20 bar / 2000 kPa (EMEA)		025500013	025500013	025500013	025500013	025500013	025500013
51	1	LABEL		545003002	545003002	545003002	545003002	545003002	545003002
52	1	LABEL WIRE		—	—	—	—	—	—
A1	1	DV-5A VALVE		REFER TO TABLE E FOR DV-5A VALVE PART NUMBERS					
A2	1	WATERFLOW PRESSURE ALARM SWITCH, PS10-2 (AMER/APAC)		25710	25710	25710	25710	25710	25710
	1	WATERFLOW PRESSURE ALARM SWITCH, PS10-1 (EMEA)		0260	0260	0260	0260	0260	0260
A3	1	BUTTERFLY VALVE, G x G		51024A	51021A	—	—	—	—
	1	BFV-300 BUTTERFLY VALVE, G x G		—	—	59300G030WS	59300G040WS	59300G060WS	59300G080WS
A4	2	FIGURE 577 RIGID GROOVED COUPLING		57715ACP	57720ACP	—	—	—	—
	1	FIGURE 577 RIGID GROOVED COUPLING		—	—	57730ACP	57740ACP	57760ACP	57780ACP
A5	1	GROOVE x THREADED OUTLET WELDED TEE		54-500-4-000	54-500-4-001	—	—	—	—
A6	1	SOLENOID VALVE (SEPARATELY ORDERED)		2460566	2460566	2460566	2460566	2460566	2460566
A7	1	INVERTED FLARE SHUT-OFF VALVE ^a		545100100	545100100	545100099	545100100	545100100	545100100
A8	1	FLARE FITTING 90° 1/2" NPT x 1/2" TUBE		545100062	545100062	545100062	545100062	545100062	545100062
A9	1	TUBING ASSY, DIAPHRAGM CHAMBER SUPPLY		535000115	535000120	535000130	535000140	535000160	535000180

NOTE:

- a. Not VdS Approved
- CH - Common Hardware - Refer to Materials of Construction section for specifications.

FIGURE 7 (2 OF 2)
DV-5A VALVES – REMOTE-RESETTING TRIM – EXPLODED VIEW

Nominal Valve Size ANSI Inches (DN)	Inches (mm)								
	A	B	C	D	E	F	G	H	J
1-1/2 (40)	2.8 (71)	11.0 (279)	10.4 (264)	14.7 (373)	16.8 (427)	7.3 (185)	10.2 (259)	8.0 (203)	1.2 (30)
2 (50)	2.8 (71)	11.0 (279)	10.4 (264)	14.7 (373)	16.8 (427)	7.3 (185)	10.2 (259)	3.8 (97)	2.9 (74)
3 (80)	3.0 (76)	11.0 (279)	12.0 (305)	15.3 (389)	19.9 (505)	5.8 (147)	13.8 (351)	3.9 (99)	3.6 (91)
4 (100)	3.0 (76)	12.7 (323)	13.1 (333)	16.7 (424)	22.3 (566)	5.1 (130)	16.8 (427)	4.5 (114)	4.3 (109)
6 (150)	4.5 (114)	13.5 (343)	15.0 (381)	18.6 (472)	26.1 (663)	3.3 (84)	22.4 (569)	5.9 (150)	5.7 (145)
8 (200)	5.3 (135)	16.7 (424)	17.2 (437)	19.4 (493)	30.6 (777)	2.9 (74)	27.5 (699)	5.2 (132)	6.7 (170)

- NOTES:**
 1. Dimensions based on drain valves being open.
 2. Dimensions do not provide installation clearance.

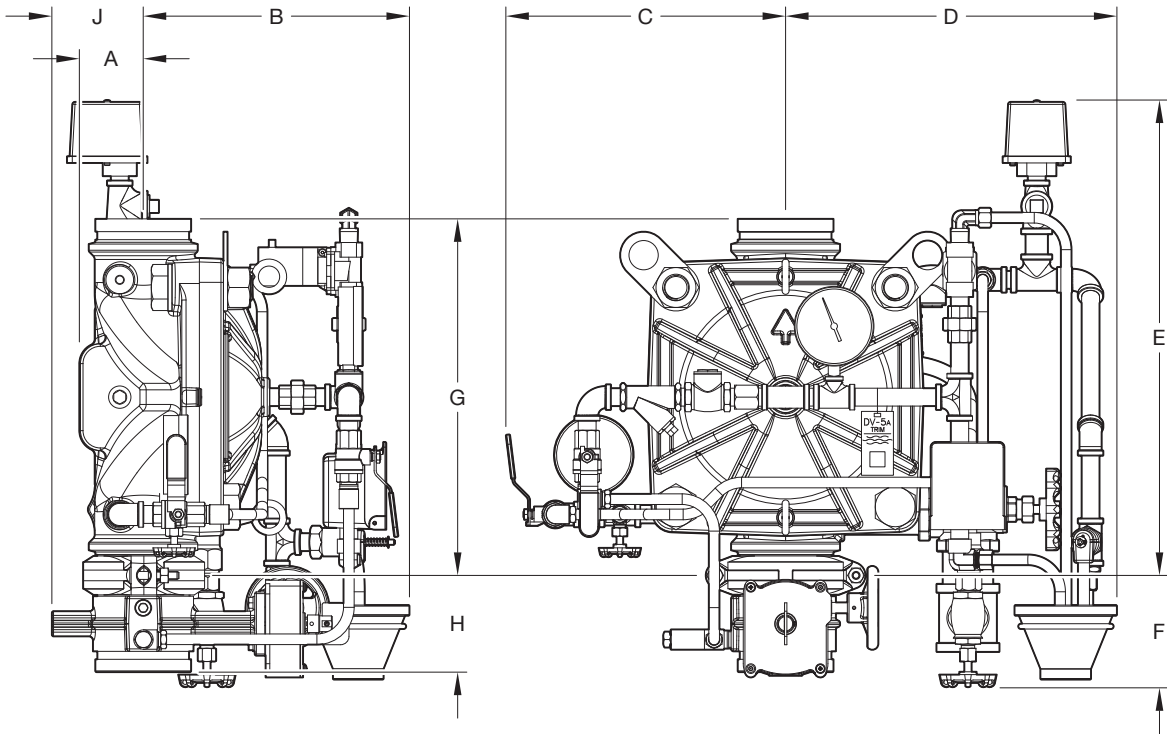


FIGURE 8
DV-5A VALVE
REMOTE-RESETTING TRIM
NOMINAL DIMENSIONS

Valve Setting Procedure

Perform Steps 1 through 13 when initially setting the TYCO DV-5A Valve with Remote-Resetting Trim for service or after an operational test of the fire protection system (Ref. Figure 9).

Step 1. Close the System Main Control Valve (B).

Step 2. Close the Diaphragm Supply Valve (P).

Step 3. Open the Main Drain Valve (D) and System Drain Valve (E). Close the System Drain Valve (E) after water ceases to discharge. Leave the Main Drain Valve (D) open.

At this time make certain that the Pressure Gauge Valves and the Alarm Control Valve (H), as applicable, are open.

Step 4. Depress the plunger of the Automatic Drain Valve (F) to verify that it is open.

Step 5. Clean the Diaphragm Supply Strainer (Q) by removing the clean-out plug and strainer basket. The Diaphragm Supply Strainer (Q) may be flushed out by momentarily opening the Diaphragm Supply Valve (P).

Step 6. Reset the electric detection system in accordance with the manufacturer's instructions to de-energize the solenoid valve.

Step 7. Operate (open) the Manual Control Station (M) and then open the Diaphragm Supply Valve (P). After unaerated water ceases to discharge from the Manual Control Station (M) drain tube, slowly close the operating lever by pushing it up. Do not close the hinged cover at this time.

Step 8. Inspect drain connections from the Manual Control Station and Solenoid Valve. Before proceeding to the next step, correct any leaks.

Step 9. Verify the ability for the DV-5A Diaphragm to hold pressure as follows:

- With the diaphragm chamber pressurized per Step 7, temporarily close the Diaphragm Supply Valve (P), and then observe the Diaphragm Gauge (K) for a drop in pressure.
- If a drop in pressure is noted, the DV-5A Diaphragm is to be replaced and/or any leaks must be corrected before proceeding to the next step.
- If the Diaphragm Gauge (K) indicates no drop in pressure, re-open the Diaphragm Supply Valve (P) and proceed to the next step.

Step 10. Partially open the System Main Control Valve (B). Slowly close the Main Drain Valve (D) as soon as water discharges from the Main Drain Valve (D). Observe the Automatic Drain Valve (F) for leaks. If there are leaks, determine/correct the cause of the leakage problem before proceeding.

NOTICE

When the System Main Control Valve (B) is partially opened, the pressure on the DV-5A Diaphragm Chamber may increase. This increase in pressure is normal, and if the pressure is greater than the valve trim maximum pressure rating provided in the Technical Data section, the pressure is to be relieved to at least the valve trim pressure rating by partially and temporarily opening the Manual Control Station (M); however, do not allow the pressure as indicated on the Diaphragm Gauge (K) to drop below the supply pressure shown on the Water Supply Gauge (J), since this action may result in tripping of the DV-5A Valve.

Step 11. Close the hinged cover of the Manual Control Station Valve (M) and insert a new break rod in the small hole through the top of the enclosing box.

Step 12. Fully open the System Main Control Valve (B).

Step 13. After setting a fire protection system, notify the proper authorities and advise those responsible for monitoring proprietary and/or central station alarms.

Item	Description
A	DV-5A Valve
B	System Main Control Valve
C	Waterflow Pressure Switch
D	Main Drain Valve
E	System Drain Valve
F	Automatic Drain Valve
G	Alarm Test Valve
H	Alarm Control Valve (Optional)

Item	Description
J	Water Supply Gauge
K	Diaphragm Gauge
L	(Not Used)
M	Manual Control Station
N	Solenoid Valve
P	Diaphragm Supply Valve
Q	Diaphragm Supply Strainer
R	Inverted Flare Shut-Off Valve

External Trim Connections	
C1	Diaphragm Supply Connection
C2	Water Motor Alarm Connection
C3	Waterflow Pressure Alarm Switch Connection
C4	Main Drain Connection
C5	Drip Funnel Drain Connection

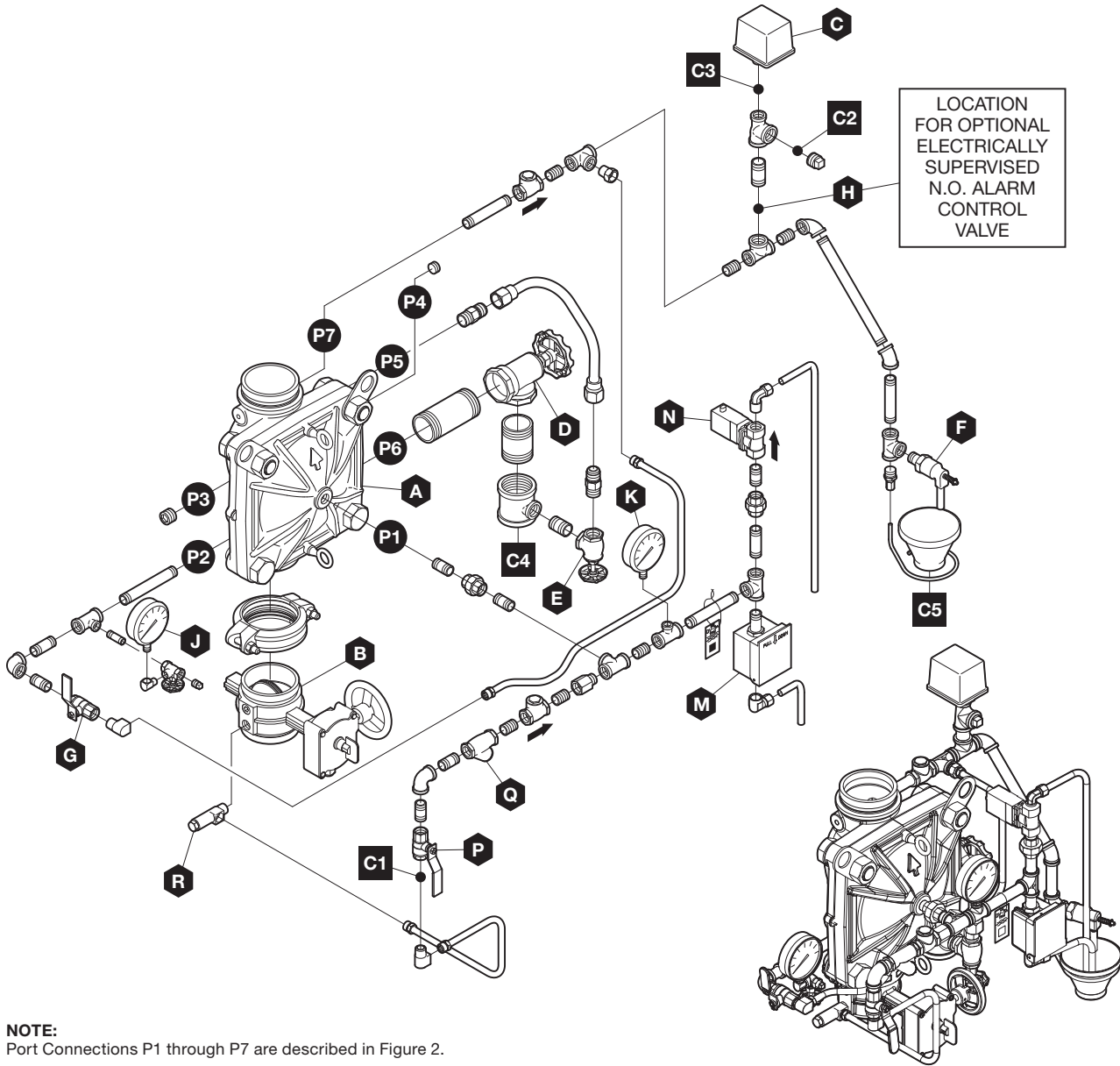


FIGURE 9
DV-5A VALVE REMOTE-RESETTING TRIM
(Refer to Figure 6 for specific Bills of Materials)

Care and Maintenance

The following procedures and inspections must be performed as indicated, in addition to any specific requirements of the NFPA and any applicable standards recognized by the Approval agency. Any impairment must be immediately corrected (Ref. Figure 9).

NOTICE

If the water supply needs to be shut off to the DV-5A valve and trim and cannot be shut off upstream of the system, close the System Main Control Valve (B), the Diaphragm Supply Valve (P), and the Inverted Flare Shut-Off Valve (R). This will allow any trim above the System Main Control Valve (B) to be taken apart for service if necessary.

The frequency at which the following procedures and inspections are to be performed are to be in accordance with the NFPA and any applicable specific requirements of the standards recognized by the Approval agency.

Before closing a fire protection system main control valve for maintenance work on the fire protection system that it controls, permission to shut down the affected fire protection systems must first be obtained from the proper authorities and all personnel who may be affected by this action must be notified.

The owner is responsible for the inspection, testing, and maintenance of their fire protection system and devices in compliance with this document, as well as with the NFPA and any applicable standards recognized by the Approval agency. Contact the installing contractor or product manufacturer with any questions.

Some procedures in this section result in the operation of the associated alarms. Notify the owner and the fire department, central station, or other signal station to which the alarms are connected before performing the tests.

It is recommended that automatic sprinkler systems be inspected, tested, and maintained by a qualified Inspection Service in accordance with the NFPA and any applicable standards recognized by the Approval agency.

Drop in Water Supply Pressure Below Normal Range

NOTICE

If the water supply pressure is significantly reduced below the normally expected static pressure range (as

could occur in the case of a water main break or repair), and there is a subsequent drop in the diaphragm chamber water pressure below its normal range (for example, due to a leak in a piping connection to or from the diaphragm chamber or, a leak in the diaphragm chamber check valve caused by dirt or debris in the check valve seal area), a deluge valve such as the DV-5A could inadvertently trip, if its water supply pressure is quickly restored.

A drop in the water supply pressure to below its normal range (as in the case of an interrupted water supply condition) constitutes an emergency impairment.

Should this condition occur, immediately close the main control valve and use the following procedure to reset the system:

Step 1. Prior to the water supply pressure being restored to the closed main control valve, note the pressure indicated by the diaphragm chamber pressure gauge and determine if the pressure is within the normally expected range.

Step 2. If the diaphragm chamber pressure is below the normal range, check for and correct any source of leakage from the diaphragm chamber prior to resetting the system.

Step 3. After the water supply pressure is restored to the main control valve, reset the DV-5A Valve in accordance with the Valve Setting Procedure section.

NOTICE

For fire protection systems subject to an emergency impairment caused by an interrupted water supply condition, it is recommended that consideration be given to installing a low water supply pressure switch with the appropriate alarm/indications to monitor the water supply pressure.

Waterflow Alarm Test Procedure

To test the waterflow alarm, open the Alarm Test Valve (G), which will allow a flow of water to the Waterflow Pressure Switch (C) and/or Water Motor Alarm. Upon satisfactory completion of the test, close the Alarm Test Valve (G).

To ensure drainage of the alarm line, depress the plunger on the Automatic Drain Valve (F).

Electric Actuation Operation Test Procedure

Proper operation of the DV-5A Valve (i.e., opening of the DV-5A Valve as during a fire condition) must be verified as follows:

Step 1. If water must be prevented from flowing beyond the riser, perform the following steps.

- Close System Main Control Valve (B). Open Main Drain Valve (D).
- Open System Main Control Valve (B) one turn beyond position at which water just begins to flow from Main Drain Valve (D).
- Slowly close the Main Drain Valve (D).

Step 2. Test the deluge releasing panel in accordance with the manufacturer's instructions to energize the solenoid valve.

Note: Be prepared to quickly perform Steps 3, 4, and 5 if water must be prevented from flowing beyond the riser.

Step 3. Verify that the DV-5A Valve has tripped, as indicated by the flow of water into the system.

Step 4. Close the System Main Control Valve (B).

Step 5. Close the Diaphragm Supply Valve (P).

Step 6. Reset the DV-5A Valve in accordance with the Valve Setting Procedure.

Electric Actuation Solenoid Valve (N) Test Procedure

Proper operation of the Solenoid Valve (N) for electric actuation must be verified at as follows:

Step 1. Close the System Main Control Valve (B).

Step 2. Open the Main Drain Valve (D).

Step 3. Test the deluge releasing panel in accordance with the manufacturer's instructions to energize the Solenoid Valve (N).

Step 4. Verify that there is a flow of water from the Solenoid Valve (N) drain connection.

Step 5. Verify that the Diaphragm Chamber pressure has decreased to below 25% of the water supply pressure.

Step 6. Reset the electric detection system in accordance with the manufacturer's instructions to de-energize the Solenoid Valve (N), and proceed as follows:

- Water should cease draining from the Solenoid Valve (N).
- Pressure will then build up in the DV-5A Diaphragm Chamber.
- After system pressure is restored in the DV-5A Diaphragm Chamber, inspect the Solenoid Valve (N) for leaks at the drain tube. Any leaks must be corrected before proceeding to the next step.

Step 7. Partially open the System Main Control Valve (B). Slowly close the Main Drain Valve (D) as soon as water discharges from the Main Drain Valve (D). Observe the Automatic Drain Valve (F) for leaks. If there are leaks, determine/correct the cause of the leakage problem. If there are no leaks, the DV-5A Valve is ready to be placed in service and the System Main Control Valve (B) must then be fully opened.

Internal Valve Inspection

Once every five years during the annual operational test procedure and prior to the DV-5A Valve being reset and with the DV-5A Valve de-pressurized, the interior of the DV-5A Valve must be cleaned and inspected for wear and damage. Damaged or worn parts must be replaced. (Replacement of the Diaphragm every ten years is recommended, or more frequently if inspections and/or wear and tear warrant more frequent replacement.)

NOTICE

The Diaphragm Cover may be removed between Steps 4 and 5 of the resetting instructions, since at that point the DV-5A Valve should be de-pressurized as evident by a zero gauge reading on the Diaphragm Gauge (K) and Water Supply Gauge (J), as well as no water discharging from the Automatic Drain Valve (F).

To perform internal valve inspection between Steps 4 and 5 of the Valve Setting Procedure, remove the diaphragm cover as follows:

Step 1. Close the Inverted Flare Shut-Off Valve (R).

Step 2. Remove the Copper Tube Fitting between the Diaphragm Supply (P) and the Inverted Flare Shut-Off Valve (R).

Step 3. Loosen the union securing the Solenoid Valve (N).

Step 4. Loosen and remove the union between the Diaphragm Cover and the trim and remove the trim.

Step 5. Remove the Diaphragm Valve Cover hardware, then slowly remove the Diaphragm Cover and perform internal valve inspection. Clean the valve interior and replace parts as necessary.

After cleaning and inspecting valve interior, and replacing parts as necessary, reinstall the Diaphragm Cover by completing the following steps to assure the Diaphragm Cover Fasteners are uniformly and securely tightened.

Step 1. With reference to Figure 1, ensure that the Diaphragm is properly oriented and that the proper hardware arrangement is utilized when assembling the Diaphragm Covers. The hardware arrangements differ depending on the size of the DV-5A Valve.

Step 2. By first using the Long Hex Bolts, support of the Diaphragm Cover will be provided before installing the Short Hex Bolts. Align Diaphragm in proper orientation with Valve Body, and then align Diaphragm Cover in proper orientation with Valve Body. Hand-tighten all fasteners.

Step 3. Using crossdraw sequence to assure uniformity, wrench-tighten Long Hex Bolts and Short Hex Bolts to appropriate torque values. Repeat crossdraw sequence two to three times at incremental torque values until reaching the torque values found in Table B.

Step 4. Inspect to assure all Hex Bolts are securely tightened.

Step 5. Using the union, the trim to the Diaphragm Cover.

Step 6. Using the union, secure the solenoid Valve (N).

Step 7. Replace the Copper Tube Fitting between the Diaphragm Supply Valve (P) and the Inverted Flare Shut-Off Valve (R).

Step 8. Ensure that the unions and flare fittings are securely tightened.

Step 9. With the Diaphragm Supply Valve (P) closed, fully open the Inverted Flare Shut-Off Valve (R) stainless steel screw (approximately 1/2 in.) until resistance is met so as not to break the internal roll-pin. The internal roll-pin stops the removal of the Inverted Flare Shut-Off Valve (R) stainless steel screw.

Step 10. Proceed to step 5 of the Valve Setting Procedures section in this data sheet.

NOTICE

If the water supply contains chemicals which tend to attack a polyester fabric-reinforced, EPDM rubber or the five year inspection indicates a build-up of debris within the DV-5A Valve that could affect its proper operation, then the frequency of the internal valve inspection procedure must be appropriately increased.

Nominal Valve Sizes ANSI Inches (DN)	Torque lb-ft (N-m)	
	Nuts	Short Hex Bolts
1-1/2 (40)	44 (59,7)	35 (47,5)
2 (50)	44 (59,7)	35 (47,5)
3 (80)	188 (254,9)	150 (203,4)
4 (100)	396 (536,9)	316 (428,4)
6 (150)	265 (359,3)	212 (287,4)
8 (200)	545 (738,9)	436 (591,1)

**TABLE B
DIAPHRAGM COVER BOLTS
MINIMUM TORQUE**

With reference to Figure 1, make certain that the Diaphragm is correctly oriented; otherwise, the DV-5A Valve cannot be properly set.

Under-tightening the Diaphragm Cover Bolts can result in internal and external leakage.

Use only TYCO replacement fasteners as specified in Figure 1.

Do not apply adhesives, lubricants, or other substances to the Diaphragm or Valve Body.

Ordering Procedure

The TYCO DV-5A Valve Remote-Resetting Trim may be ordered as follows:

Pre-Assembled Ordering

DV-5A Valves with Galvanized Valve Trim and Butterfly Valve

Specify: Size (specify), DV-5A Automatic Water Control Valve, G x G connections with assembled galvanized Americas Remote-Resetting Valve Trim, complete with assembled Model BFV-300 Butterfly Valve, P/N (Ref. Table C)

Note: This arrangement is available for EMEA and APAC upon request. Contact your local distributor.

DV-5A Valves with Galvanized Valve Trim

Specify: Size (specify), DV-5A Automatic Water Control Valve, (specify) end connection with assembled galvanized (Americas, EMEA, or APAC) Remote-Resetting Valve Trim, P/N (Ref. Table D)

Separate Parts Ordering

DV-5A Valves

Refer to Table A for flange drilling specifications.

Specify: Size (specify), DV-5A Automatic Water Control Valve, (specify) end connection, P/N (Ref. Table E)

G x G Valve Size	Americas
1-1/2 in. (DN40)	551010415
2 in. (DN50)	551010420
3 in. (DN80)	551010430
4 in. (DN100)	551010440
6 in. (DN150)	551010460
8 in. (DN200)	551010480

NOTES:
 1. AMERICAS DV-5A Valve with Trim and Butterfly Valve: Americas pressure switches, P/N 2460566 Solenoid Valve (as applicable), and psi/kPa water pressure gauges are provided.

TABLE C
DV-5A VALVE WITH GALVANIZED VALVE TRIM AND BUTTERFLY VALVE
PART NUMBER SELECTION
— REMOTE-RESETTING DELUGE SYSTEM —

DV-5A Valve Trim

Specify: Size (specify), finish (specify), (specify) Remote-Resetting Trim for DV-5A Automatic Water Control Valves used in Remote-Resetting Deluge Fire Protection System, P/N (Ref. Table F)

DV-5A Valve Trim Accessories

(for separately ordered valve trim)
 Refer to Table G for separately ordered accessories not included with the Valve Trim.

DV-5A Valve Remote-Resetting Replacement Parts

Specify: (Description) for use with (specify size) DV-5A Valve Remote-Resetting Trim, P/N (Ref. Figure 1)

DV-5A Valve Remote-Resetting Trim Replacement Parts

Specify: (Description) for use with DV-5A Valve Remote-Resetting Trim, P/N (Refer to Figure 7)

	AMERICAS ¹	EMEA ²	APAC ³
G x G Valve Size			
1-1/2 in. (DN40)	550010415	550110415	550010415
2 in. (DN50)	550010420	550110420	550010420
3 in. (DN80)	550010430	550110430	550010430
4 in. (DN100)	550010440	550110440	550010440
6 in. (DN150)	550010460	550110460	550010460
8 in. (DN200)	550010480	550110480	550010480
F x F ANSI Valve Size			
3 in. (DN80)	550020430	550120430	550020430
4 in. (DN100)	550020440	550120440	550020440
6 in. (DN150)	550020460	550120460	550020460
8 in. (DN200)	550020480	550120480	550020480
F x G ANSI Valve Size			
3 in. (DN80)	550030430	550130430	550030430
4 in. (DN100)	550030440	550130440	550030440
6 in. (DN150)	550030460	550130460	550030460
8 in. (DN200)	550030480	550130480	550030480
T x T NPT Valve Size			
1-1/2 in. (DN40)	550060415	—	550060415
2 in. (DN50)	550060420	—	550060420
F x F ISO Valve Size			
3 in. (DN80)	—	550140430	550040430
4 in. (DN100)	—	550140440	550040440
6 in. (DN150)	—	550140460	550040460
8 in. (DN200)	—	550140480	550040480
F x G ISO Valve Size			
3 in. (DN80)	—	550150430	550050430
4 in. (DN100)	—	550150440	550050440
6 in. (DN150)	—	550150460	550050460
8 in. (DN200)	—	550150480	550050480
T x T ISO Valve Size			
1-1/2 in. (DN40)	—	550170415	—
2 in. (DN50)	—	550170420	—

NOTES:

1. AMERICAS DV-5A Valve with Trim: Americas pressure switches, P/N 2460566 solenoid valve (as applicable), and psi/kPa water pressure gauges are provided.
2. EMEA DV-5A Valve with Trim: EMEA pressure switches, P/N 2460566 solenoid valve (as applicable), bar/psi water pressure gauges, and NPT to ISO threaded trim adaptors for external connections are provided.
3. APAC DV-5A Valve with Trim: APAC pressure switches, P/N 2460566 solenoid valve (as applicable), and psi/kPa water pressure gauges are provided.

TABLE D
DV-5A VALVES WITH GALVANIZED VALVE TRIM
PART NUMBER SELECTION
— REMOTE-RESETTING DELUGE SYSTEM —

Valve Size	Nominal Groove O.D.	REGIONS OF TYPICAL AVAILABILITY (indicated by "✓")							
		AMERICAS	✓	✓	✓	✓	—	—	—
		EMEA	✓	✓	✓	✓	✓	✓	✓
		APAC	✓	✓	✓	✓	✓	✓	✓
		G x G	F X F ANSI	F x G ANSI	T x T NPT	F x F ISO	F x G ISO	T x T ISO	
1-1/2 in. (DN40)	1.990 in. (50,5 mm)	530010015	—	—	530060015	—	—	530070015	
2 in. (DN50)	2.375 in. (60,3 mm)	530010020	—	—	530060020	—	—	530070020	
3 in. (DN80)	3.500 in. (88,9mm)	530010030	530020030	530030030	—	530040030	530050030	—	
4 in. (DN100)	4.500 in. (114,3 mm)	530010040	530020040	530030040	—	530040040	530050040	—	
6 in. (DN150)	6.625 in. (168,3mm)	530010060	530020060	530030060	—	530040060	530050060	—	
8 in. (DN200)	8.625 in. (219,1 mm)	530010080	530020080	530030080	—	530040080	530050080	—	

NOTES:

- Valves are typically provided with flange drilling per ANSI B16.1 (Class 125) or ISO (7005-2 PN16).
- Upon request, valves can be provided with flange drilling per JIS B 2210 or AS 2129. In which case part numbers are not assigned.

TABLE E
DV-5A VALVES PART NUMBER SELECTION

Valve Sizes	Americas Galvanized	Americas Black
1½ in. (DN40)	540000420	542000420
2 in. (DN50)	540000420	542000420
3 in. (DN80)	540000430	542000430
4 in. (DN100)	540000440	542000440
6 in. (DN150)	540000460	542000460
8 in. (DN200)	540000480	542000480
Valve Sizes	EMEA Galvanized	EMEA Black
1½ in. (DN40)	540100420	542100420
2 in. (DN50)	540100420	542100420
3 in. (DN80)	540100430	542100430
4 in. (DN100)	540100440	542100440
6 in. (DN150)	540100460	542100460
8 in. (DN200)	540100480	542100480
Valve Sizes	APAC Galvanized	APAC Black
1½ in. (DN40)	540000420	542000420
2 in. (DN50)	540000420	542000420
3 in. (DN80)	540000430	542000430
4 in. (DN100)	540000440	542000440
6 in. (DN150)	540000460	542000460
8 in. (DN200)	540000480	542000480

NOTES:

- Americas Valve Trim: Pressure switches and/or solenoid valves are separately ordered.
- EMEA Valve Trim: Pressure switches, solenoid valves, water pressure gauges and BFV-300 Butterfly Valve are separately ordered. NPT to ISO threaded adaptors are provided for External Trim Connections (drains, pressure switches, water motor alarms, etc.).
- APAC Valve Trim: Pressure switches and/or solenoid valves are separately ordered.

TABLE F
DV-5A VALVE E TRIM
PART NUMBER SELECTION
— REMOTE-RESETTING DELUGE SYSTEM —

ACCESSORIES, DELUGE FIRE PROTECTION SYSTEMS	P/N	Data Sheet
Waterflow Pressure Alarm Switch, Potter PS10-2 (America/APAC)	25720	—
Waterflow Pressure Alarm Switch PS10-1 (EMEA)	0260	—
Model WMA-1 Water Motor Alarm (America/APAC)	526301001P	TFP921
Model WMA-1 Water Motor Alarm (EMEA)	526301021R	TFP922
Water Gauges with bar/psi	025500013	—
Solenoid Valve for Releasing Service	2460566	TF2180
600 psi Water Gauge psi/kPa (service pressure over 300 psi)	923431004	
Model AD-2 Automatic Drain Valve	527891004	TFP1632

TABLE G
DV-5A VALVE ACCESSORIES
PART NUMBER SELECTION
— REMOTE-RESETTING DELUGE SYSTEM —