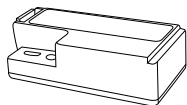
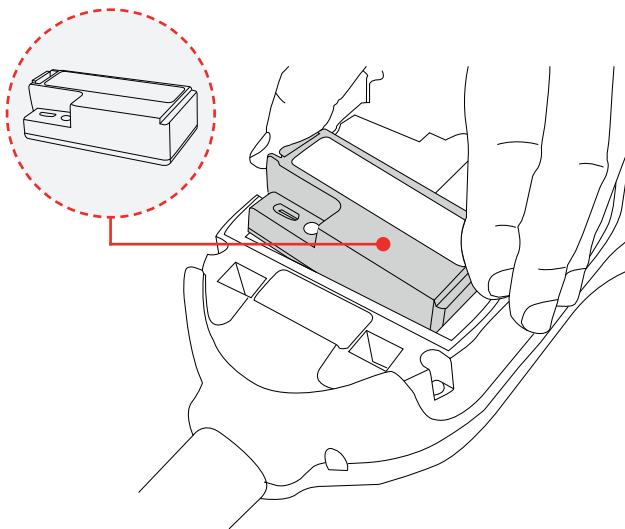


## Battery Removal & Replacement







**Note:**

When replacing the battery, ensure that the unit is switched off before opening the back cover.



# Battery Removal & Replacement

## Battery pack LED

-  Flashing Red/Green:  
Detecting level of charge
-  Solid Red: Charging
-  Solid Green: Fully charged
-  Flashing Red: Fault

## Removal

- Unclip and remove the used battery.

## Replacement

### Warning:

Do not charge the battery while it is in place in the unit.

- To charge, connect the battery pack to the USB power supply using the supplied charger.
- Once the battery is charged clip the battery pack into the battery compartment.
- Do not force the battery into place - it should only be inserted without force.