

TST-100 Touchscreen Terminal Intelligence at the Door



Features That Make a Difference:

- 4.3" capacitive touchscreen provides ideal user experience
- Intuitive icon-driven user interface for both access control and intrusion
- Encrypted RS-485 communications
- Easily arm and disarm intrusion zones using card, PIN, or combination
- Built-in motion sensor saves screen life
- Menu-driven keypad commands for custom operations
- Compatible with all iSTAR door controllers
- Supports Software House RM and smart reader protocols
- Supports a wide range of smart card technologies including HID iCLASS
- Prioritize and enable/disable card technologies to read
- Future-proof design allows users to add features as they become available...all with easy firmware download
- Firmware download includes read head firmware updates

Intuitive Experience

The Software House TST-100 Touchscreen Terminal brings more intelligence to the door than ever before.

The intuitive terminal interface removes the guesswork associated with traditional readers by offering clear icon-based status indications for access granted or denied, prompts to enter a PIN when needed, and door status conditions such as Door Unlocked.

A large, bright keypad prompts when a PIN is required, either for traditional card access or for arming or disarming an intrusion zone. With a built-in PIR sensor, the terminal also features energy-saving motion detection, which enables the LCD screen to automatically light up when someone approaches.

Security Always a Priority

The TST-100 Touchscreen Terminal's sleek interface offers intuitive touchscreen functionality for utilizing powerful keypad commands or implementing duress functionality.

The terminal connects securely over full duplex RS-485 to an IP-ACM Ethernet Door Module using AES 256 encrypted communication.

Multi-Tech Read Head Offers Flexibility

The TST-100 Touchscreen Terminal simultaneously supports MIFARE, DESFire

EV1 and EV2, HID iCLASS, iCLASS SE, iCLASS Seos, and HID Proximity card technologies. This allows customers to transition from a proximity system to a more advanced smart card system, or to maintain an existing universe of proximity cards while gradually moving to smart card technology.

The read head supports PACS data from HID iCLASS, iCLASS SE, and iCLASS Seos smart cards. Performance can be optimized by prioritizing and disabling card technologies through a local setup mode. A simple firmware download ensures that the read head is kept up-to-date with the latest fixes and enhancements.

"RM Mode" Provides Compatibility

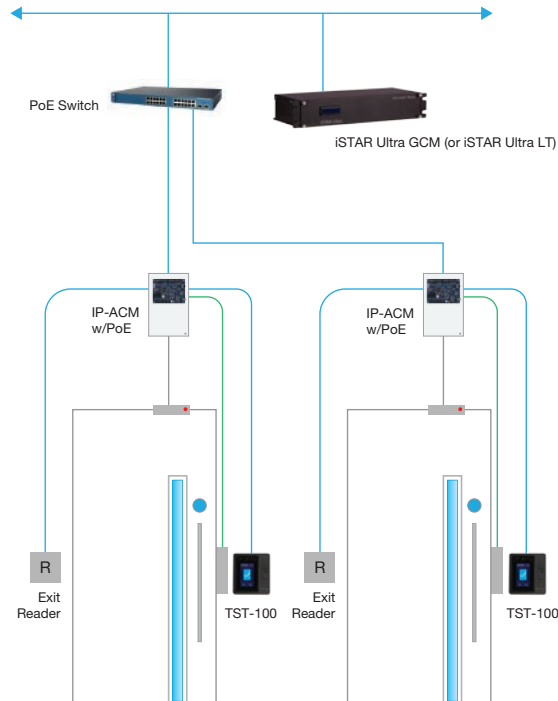
When connected to an IP-ACM Ethernet Door module, the TST-100 Touchscreen Terminal operates in "Smart Mode," providing the full icon-driven interface. The reader also supports the legacy RM protocol, allowing it to connect directly to any iSTAR door controller and operate as if it is a standard RM reader, providing a great upgrade path.

Future-Proof Solution

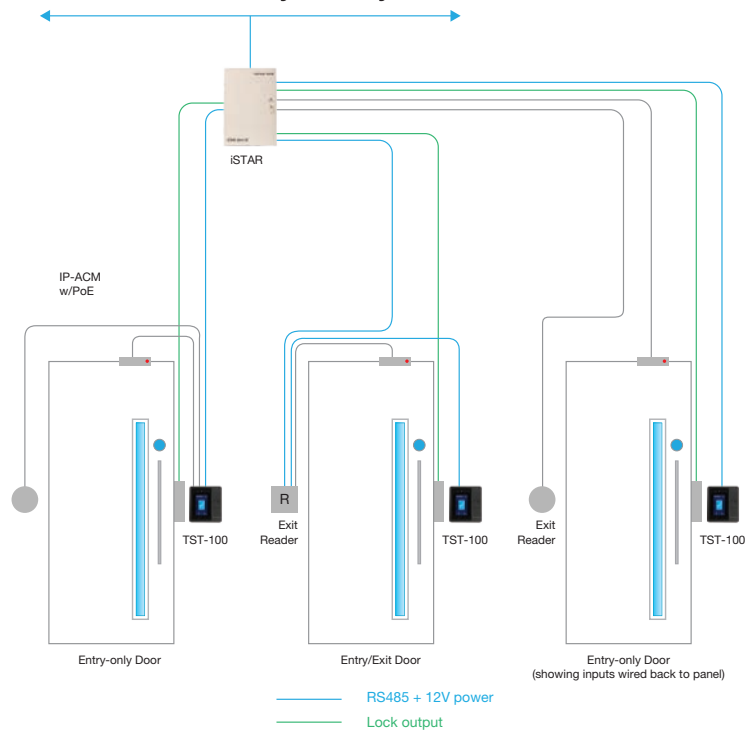
The TST-100 Touchscreen Terminal is more than a reader – it provides a powerful platform for future applications and use cases. An embedded speaker and microphone are built in, ready to be supported through our future intercom application. Future apps will be supported through a simple firmware update.

A Versatile and Future-Proof Solution

System Layout using IP-ACM Ethernet Door Modules



RM System Layout



Specifications

Physical

Dimensions (H x W x D)	174 x 155.25 x 40.32 mm (6.85 x 6.1 x 1.59 in)
Weight	0.4 kg (14 oz)
Mounting	Holes for wall mount, US double gang, and UK single gang
Tamper Protection	Two tamper switches, one on rear and one between front cover and backplate
Environmental	UL listed for interior and exterior use
Operating Temperature	-20°C to 60°C (-4°F to 140°F)
Humidity Range	0 to 100%
Index of Protection	IP54

Electrical

Voltage Input	12VDC +/- 20%
Current Draw	180 mA nominal, 300mA max
Communications Wiring, RM Mode	2 conductors data, optional 2 conductors power/ground
Maximum Distances, RM Mode	1,219m (4,000 ft) data only; distance will be less if power is included
Baud Rate, RM Mode	9600 bps
Communications Wiring, Smart Mode to IP-ACM	4 conductors data, 2 conductors power/ground
Max Cable Length, Smart Mode	10 m (32.8 ft)
Baud Rate, Smart Mode	1Mb/s, Full Duplex
Encryption, Smart Mode	AES 256
Wiring Terminations	Plug-in screw terminals

Reader

Screen	4.3" diagonal color TFT, capacitive touch, 480 x 272 square pixel, 16-bit color
PIR	Yes, display turns off when motion not detected
Read Head	HID 5127 Mini
Read Technologies	
125KHz	HID proximity, Indala 26-bit proximity
13.56MHz	iCLASS PACS data, iCLASS SE PACS data, iCLASS Seos PACS data, MIFARE CSN, DESFire EV1 and EV2 CSN
Read Range	From 25 mm to 65 mm (1 in to 2.5 in) depending on card type

Onboard Inputs/Outputs

Supervised Inputs	2
Input Supervision Type	Configurable supervision per input (Smart Mode); fixed double 1K (RM Mode)
Outputs	2
Output Type	Form A solid state outputs; isolation relay required for proper operation

Regulatory

Access Control	UL 294, CSA C22.2 No. 205 (Canada)
Burglar Alarm	UL 1076, ULc 1076 (Canada)
EMC (Immunity)	EN 50130-4, EN 55024
Emissions	FCC Part 15 Class A, EN 55032 Class A, AS/NZS CISPR 22 Class A; ICES-003 Class A
Safety	IEC 60950-1, EN60950-1
Environmental	RoHS, WEEE
Outdoor	IP54
Warranty	5 years from date of manufacture

Ordering Information

Model Number	Description
SWH-TST-100	TST-100 Touchscreen Terminal, multi-tech read head
SWH-TST-100-V	TST-100 Touchscreen Terminal, w/speaker and mic for future voice implementation
SWH-TST-100-OUTK	TST-100 Touchscreen Terminal, outdoor kit with gaskets

Related Products



C•CURE 9000



iSTAR Controllers



C•CURE Go Reader

Approvals

