

rotork®

Process Controls

LA Series - Electric Linear Actuators

Rotork Process Controls designs and manufactures high quality, durable actuators designed for trouble-free performance under the most demanding conditions. The LA-2000 Series, with its field-proven design, is a perfect fit for all of your critical linear actuator applications.

The LA-2000 Series are self-contained, bi-directional, linear actuators internally geared to produce up to 1,600 lbf. (7,117 N) of thrust. Some models also offer continuous modulating duty up to 2,000 starts per hour.

A variety of speeds, thrusts, motors, voltages and control options are available which make the LA-2000 Series ideally suited for reliable positioning of dampers, combustion controls, gates, diverters, hydraulic variable speed drives, or other linear positioning applications.

LA-2000 Series actuators are also available with an internal or external amplifier. These amplifiers are all full-featured AC or DC switching devices designed to work seamlessly with the actuator for closed loop control.

Features

- Mechanical Thrust Overload Protection
- High Modulating Duty
- Highly Accurate Control
- Many Voltage Options
- Minimal Maintenance
- Cast Aluminum Housing
- Grease Lubricated
- Rain Shield & Bellows Cover

Benefits

- Protects Unit from Costly Motor Burnout
- Improves Process Control
- Better Control of Flow or Process
- Optimizes Wiring Costs
- Minimizes Downtime
- Lightweight & Anti-corrosive
- Any Position Mounting
- Prevents Damage Due to Water Intrusion



LA-2000 Series

Electric Linear Actuators



Redefining Flow Control

rotork®

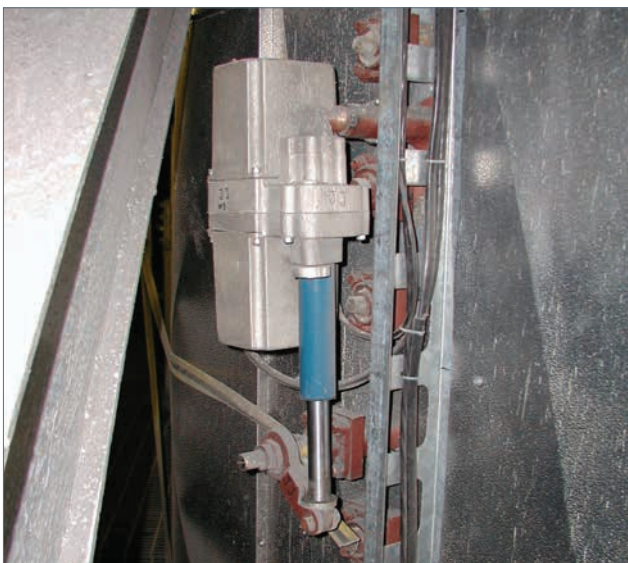
Process Controls

Popular Options:

- 4 to 20 mA proportional control and position feedback
- Auxiliary position limit switches
- High temperature operation over 150 °F (65 °C)
- Trunnion mount (Not available on 6 inch models)
- ATEX approval for LA-2520
- Bellows seal to protect extension tube from dirt and moisture

Applications:

- Slide Gate Control
 - Blending
 - Open / Close
- Diverter Operation
- Weigh Hopper Gates
- Flop Gates
- Clam Shell Gates
- Air Damper Control
- Burner Shroud Positioning
- Burner Tilt
- Igniter Retract
- Hydraulic Cylinder Replacement
- Pneumatic Cylinder Replacement
- Valve Automation



LA-2400 - Linear

2400

series

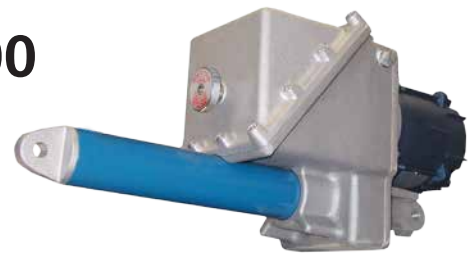


- Thrusts from 150 to 1,500 lbf. (667 to 6,672 N)
- Stroke distance from 6" to 24" (152 to 610 mm)
- Modulating Duty: 2,000 starts per hour
- Manual override standard
- HART available
- Automatic thrust limiting
- Anti-condensation heater and thermostat
- Self-locking drive system to hold in last position and prevent backdriving up to thrust rating
- AC input power (single and three-phase) or DC input power versions
- Temperature range from -40 to 150 °F (-40 to 65 °C)
- Two year warranty

LA-2500 - Linear

2500

series



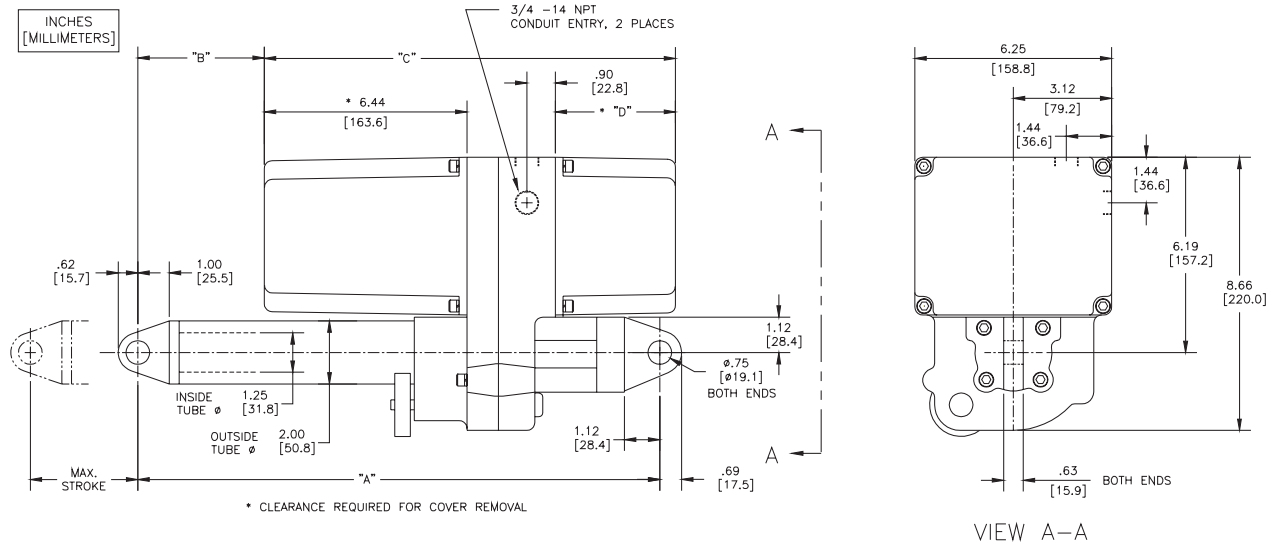
- Thrusts from 800 to 1,600 lbf. (3,558 to 7,117 N)
- Stroke distance from 6" to 24" (152 to 610 mm)
- Modulating Duty: 2,000 starts per hour (indoor/outdoor)
- Manual override standard
- HART available
- Automatic thrust limiting
- Anti-condensation heater and thermostat
- Self-locking drive system to hold in last position and prevent backdriving up to thrust rating
- AC input power (single and three-phase)
- Temperature range from -40 to 150 °F (-40 to 65 °C)
- Two year warranty

Redefining Flow Control

LA-2000 Series

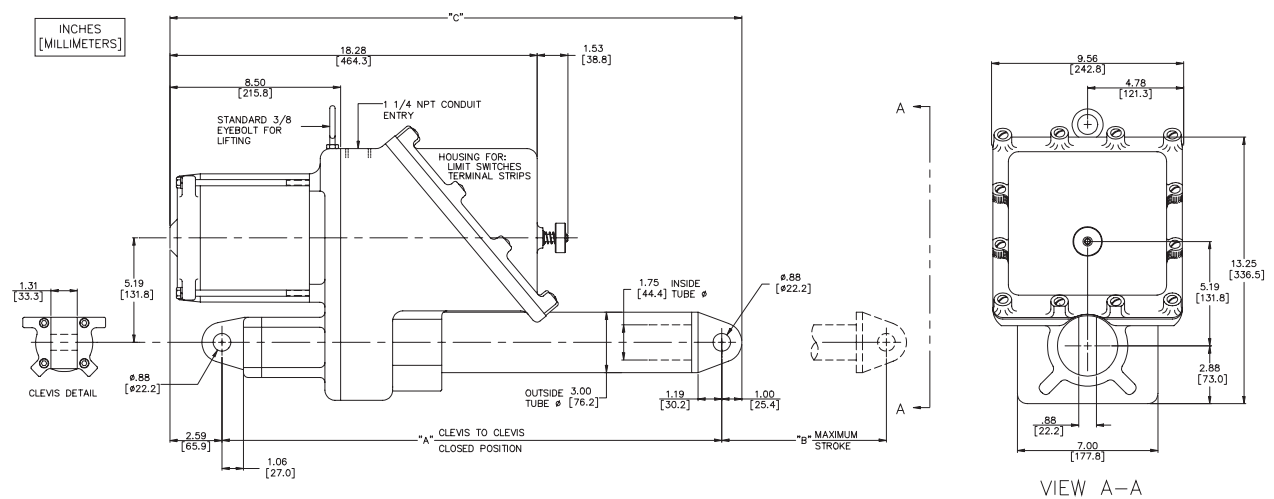
Electric Linear Actuators

LA-2400 Major Dimensions



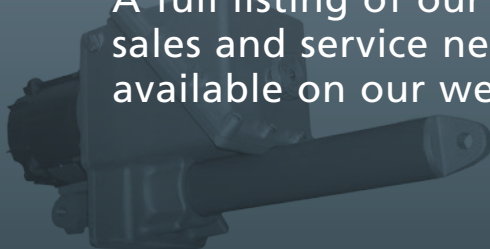
Stroke in. (mm)	A	B	C		D	
			Without Amp	With amp	Without Amp	With amp
2 (51) to 6 (152)	16.16 (410)	4.01 (102)	13.1 (333)	15.73 (400)	3.81 (97)	6.44 (164)
6.01 (153) to 12 (305)	22.61 (574)	10.01 (254)	13.1 (333)	15.73 (400)	3.81 (97)	6.44 (164)
12.01 (305) to 18 (457)	28.61 (727)	16.01 (407)	13.1 (333)	15.73 (400)	3.81 (97)	6.44 (164)
18.01 (457) to 24 (610)	34.61 (879)	22.01 (559)	13.1 (333)	15.73 (400)	3.81 (97)	6.44 (164)

LA-2500 Major Dimensions



Stroke in. (mm)	A	B Linear Travel	C
6 (152)	20.5 (521)	6	24.09 (612)
12 (305)	24.88 (632)	12A	28.47 (723)
	25.38 (645)	12B	28.97 (736)
	26.55 (673)	12C	30.09 (764)
	26.59 (675)	12D	30.18 (767)
18 (457)	32.5 (826)	18	36.09 (917)
24 (610)	39.5 (1003)	24	43.09 (1094)

These dimensions are subject to change without notice and should not be used for preparation of drawings or fabrication of installation mounting. Current installation dimension drawings are available upon request.



A full listing of our worldwide sales and service network is available on our website.

Controls

Electric Actuators and Control Systems

Fluid Systems

Fluid Power Actuators and Control Systems

Gears

Gearboxes and Gear Operators

Instruments

Precision Control Instruments

Site Services

Projects, Services and Retrofit