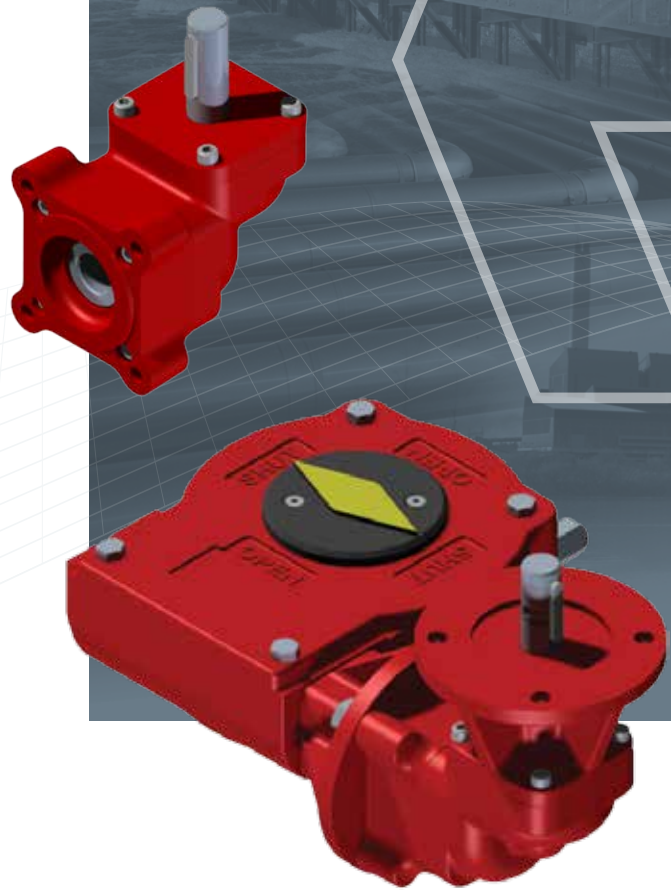


rotork®

Gears

W100 Multi-turn

1:1 manual bevel gearbox for 90° shaft direction changing



W100 Multi-turn

The W100 range has two versions, the MW100 and the DMW100.

The MW100 gearbox is designed as a stand-alone module to fit to AB and IW gearboxes with F10 input flanges. It is also suitable for other manual gearbox ranges that can be fitted with F10 input flanges.

The DMW100 gearbox mounts directly to AB gearbox sizes AB210 to AB1250. This option is more compact but does require the DMW100 components to be built up onto the AB unit.

Application

The W100 gearbox has been designed primarily to be used on AB and manual duty IW series gearboxes to change the input shaft direction by 90° for underground applications.

Features

- Stainless steel 316 input shaft & fasteners
- Cast iron housing.

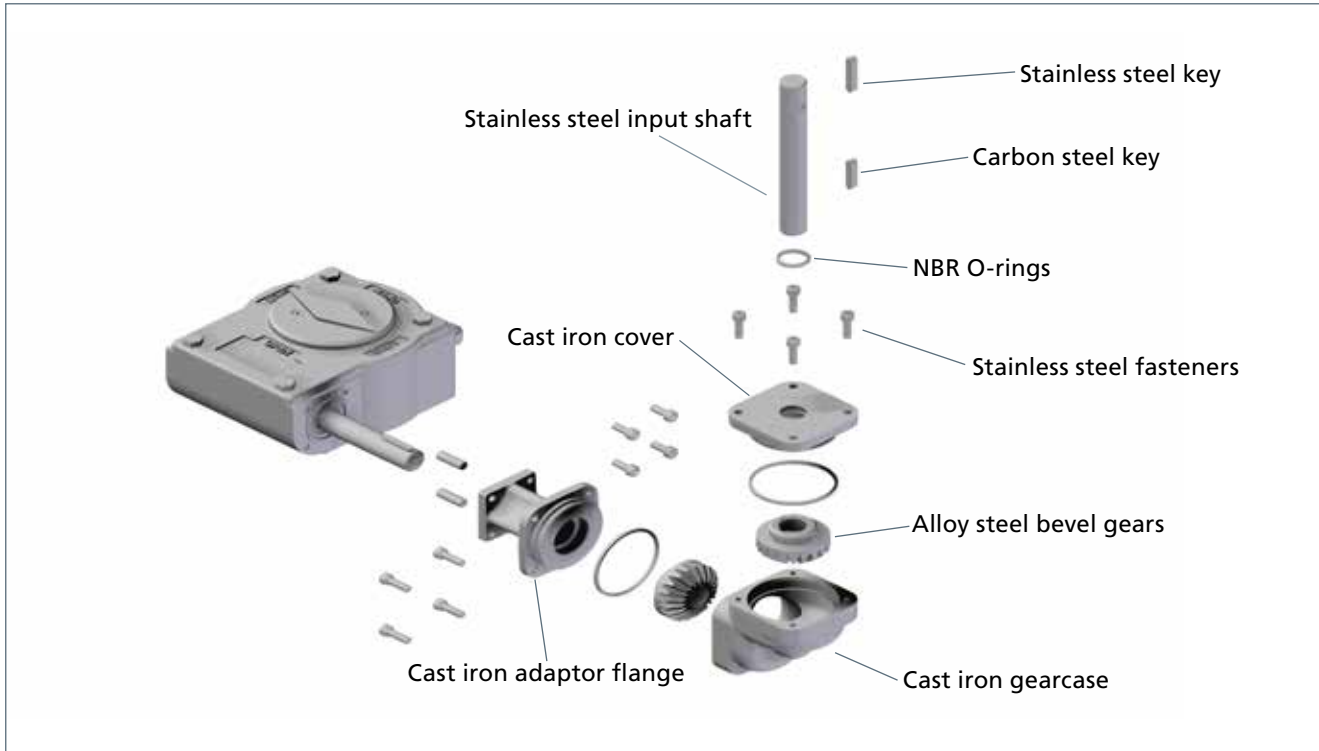
Environmental Specification

- Sealed up to IP68
- Temperature range: -40 to +120 °C (-40 to 250 °F).

Redefining Flow Control

W100 Multi-turn

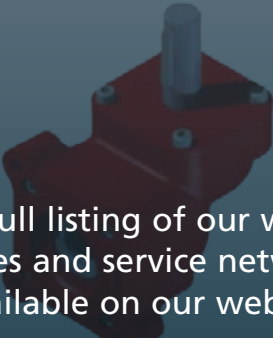
1:1 manual bevel gearbox for
90° shaft direction changing



Gearbox Sizing Chart

Type	Ratio	Output torque Nm (lbf.in)	M.A.* ±10%	Input Shaft Diameter mm (inch)	Max bore mm (inch)	Input Options	Output	Weight Kg (lb)	Max Stem Height mm (inch)
MW100	1:1	152 (1345)	0.75	20 (0.79)	20 (0.79)	Manual F10/FA10	ISO F10 or MSS FA10	5.3 (11.7)	56 (2.21)
DMW100	1:1	152 (1345)	0.75	20 (0.79)	20 (0.79)	Manual F10/FA10	to suit AB210, 215,550,880 & 1250	3.7 (8.2)	56 (2.21)

*The published M.A. is achieved after a few cycles.



A full listing of our worldwide sales and service network is available on our website at