



## TECHNICAL DATA SHEET

# Lifebuoy Lights L90

Daniamant design and manufacture all of our products in line with the relevant worldwide approvals, technical specifications, current legislation and International directives.

Our mission is to achieve World class performance through partnerships with our suppliers, customers and employees, providing products and services that enhance the safety and security of our customers.

### Daniamant products cover 11 key areas:

- Lifejacket Lights
- Liferaft Lights
- Lifebuoy Lights
- Intrinsically Safe Lights
  - Special Lights
  - LED Flares
- Bridge Navigational Watch Alarm System (BNWAS)
  - Salinometers
  - Oil Level Alarm
  - Electronic Inclinator
- Agency for a range of world-renowned safety product brands (supplied to the Danish market)

MODEL	L90 with batteries	L90 without batteries
Part number	63-B300	63-B301
Colour – Light	Orange	
Colour – Bracket	Black	
Light – Output	2 Candela minimum	
Light – Duration	2 hours minimum	
Light – Type	Filament Lamp	
Material – Lifebuoy Light	High Density Polyethylene (HDPE)	
Material – Bracket	High Density Polyethylene (HDPE)	
Lanyard	Supplied with a 1.0 m long Lanyard	
Storage Temperature	-30° C to + 65° C	
Operating Temperature	-1° C to + 30° C	
Drop Height	60 metres. SOLAS regulations state a minimum of 30 metres	
Light Weight – Nominal	1250 grams	
Bracket weight – Nominal	100 grams	
Battery Type	5 off Alkaline Cells used per light. Replace annually with approved Cells. Uses LR20 – 1.5 volt	
Activation	Self-activating via a tilt switch	
Approvals – Classification Societies	SOLAS/MED	
Approvals – Country	See our web site for full list of Country approvals	

## Transport Specification

Transport Regulations are subject to change.

## Spare Parts

The life of the L90 can be extended if required with the availability of the following spares.

<b>L90 Bracket:</b>	Part number 63-4003.
<b>L90 Lamp:</b>	Part number 63-1000.
<b>L90 Dome:</b>	Part number 63-4001.
<b>L90 O Ring:</b>	Part number 63-8005.

Please note that to help ensure a water-tight seal, we recommend that whenever the L90 Dome or Lamp is replaced, the O Ring is replaced at the same time. Spare parts are available through our extensive network of distributors around the world.

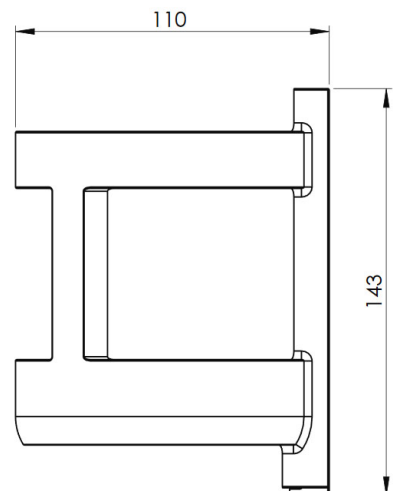
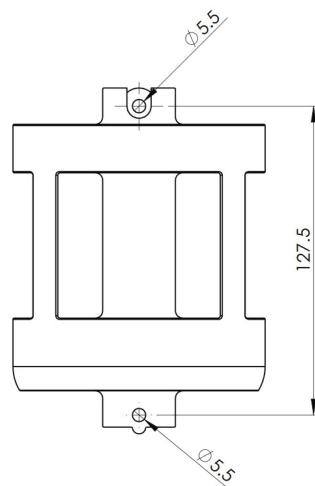
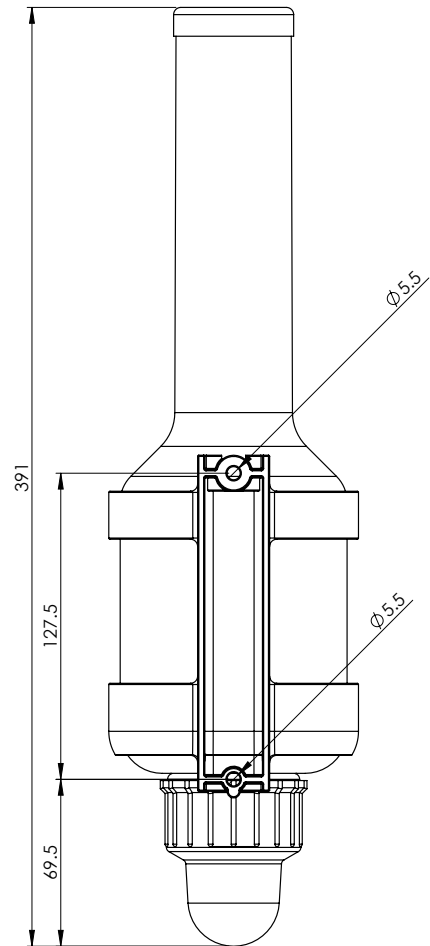
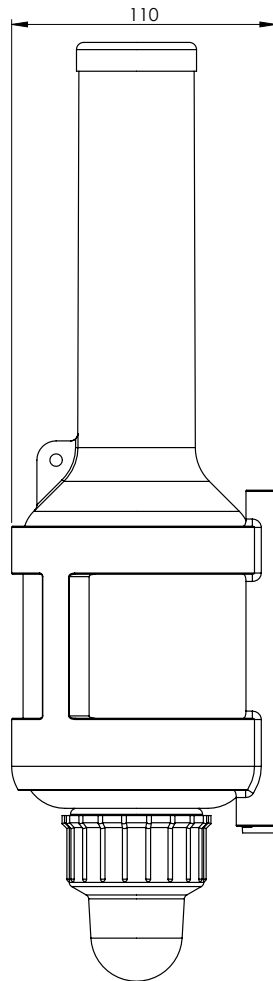
## Packing Specification

To minimize shipping costs, all Lifebuoy Lights are packed in boxes 10 off.

**The dimensions are;**  
Box of 10 off: 53 x 22 x 42 cm

**Approximate packed weights are,**  
L90 with batteries: 10 off at 12.5 Kg  
L90 without batteries: 10 off at 5.0 Kg.

NB: Add 1.0 Kg to above weights when supplied with Brackets.



L90