

### CVS Controls Ltd.

## Series V-255

## High Pressure Ball Valve

The CVS Controls Series V-255 is a High Pressure Three Piece Ball Valve, available in a 2 inch 1500 psi full port design.

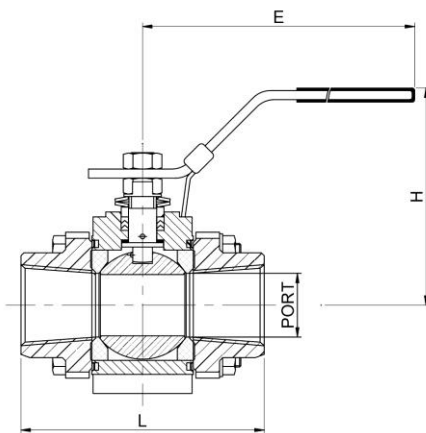
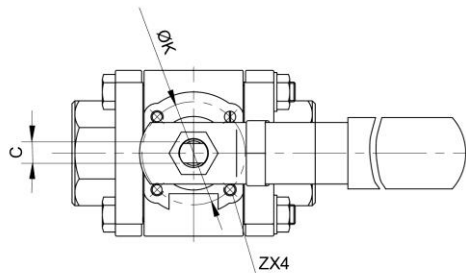
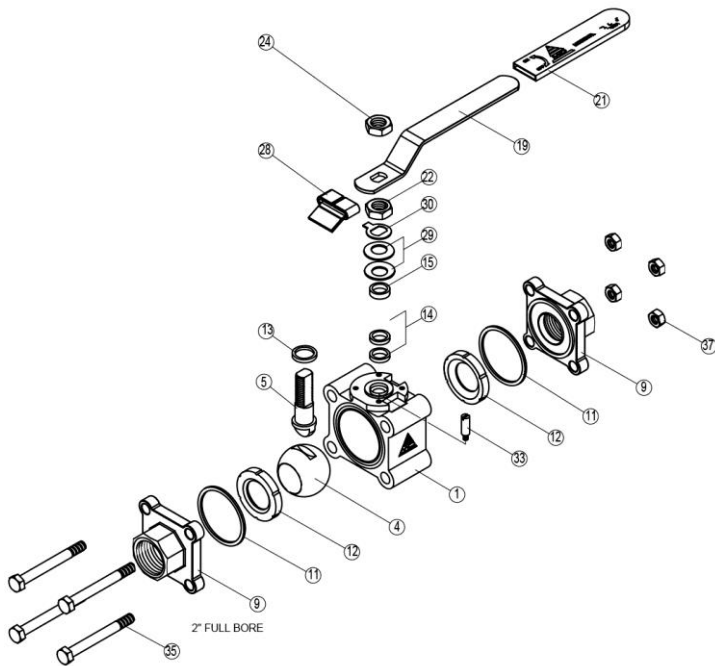
#### Features:

- Investment cast body construction
- 3 Piece Body Design
- Full Port –2” design
- Standard LCC Body
- Reinforced PTFE Seats
- ISO 5211 Mounting Flange
- Blow out proof stem construction
- NPT Threaded End Connections
- Economical
- CRN Certified



CVS Series V-255 - 2 Inch

## SPECIFICATIONS – 2 Inch, Full Port



Series V-166

|                       |                           |                |
|-----------------------|---------------------------|----------------|
| Size                  | 2 Inch                    | Full Port      |
| End Connection        | NPT Threaded Ends         |                |
| Working Pressure      | 1500 psi                  |                |
| Temperature Limits    | -40°C to 180°C            | -40°F to 356°F |
| <b>STANDARDS</b>      |                           |                |
| Design                | ASME/ANSI B16.34 - latest |                |
| Materials             | ASTM                      |                |
| Pressure Rating       | API 598                   |                |
| <b>CERTIFICATIONS</b> |                           |                |
| CRN                   |                           |                |
| Quality Assurance     | ISO 9001                  |                |

| Materials |                   |           |
|-----------|-------------------|-----------|
| No        | Description       | Material  |
| 1         | Body              | LCC       |
| 4         | Ball              | CF8M      |
| 9         | End Cap           | LCC       |
| 11        | Body Seal         | PTFE      |
| 5         | Stem              | CF8M      |
| 32        | Follower          | SS304     |
| 14        | Stem Packing      | MG1241    |
| 19        | Handle            | SS304     |
| 12        | Seat              | RTFE      |
| 13        | Thrust Washer     | PTFE PEEK |
| 21        | Handle Cover      | PLASTIC   |
| 24        | Handle Nut        | SS304     |
| 28        | Locking Pad       | SS304     |
| 22        | Stem Nut          | SS304     |
| 30        | Tab Washer        | SS304     |
| 37        | Bolt Nut          | SS304     |
| 35        | Bolt              | SS304     |
| 29        | Belleville Washer | SS301     |
| 33        | Stop Pin          | SS304     |
| 36        | Bolt Washer       | SS304     |

| Dimensions - mm |      |      |      |      |      |    |    |
|-----------------|------|------|------|------|------|----|----|
| Size            | Port | L    | E    | H    | C    | ØK | Z  |
| 2"              | 50.0 | 145  | 215  | 133  | 9.7  | 50 | M6 |
| Dimensions - In |      |      |      |      |      |    |    |
| 2"              | 2    | 5.70 | 8.46 | 5.24 | 0.38 | 2  | M6 |

CVS Controls Ltd. strives for the highest levels of quality and accuracy. The information included in this publication is presented for informational purposes only. CVS Controls Ltd. reserves the right to modify or change, and improve design, process, and specifications without written notice. Under no circumstance is the information contained to be interpreted to be a guarantee/warranty with regard to our products or services, applicability or use.

Selection, use and maintenance are the sole responsibility of the end user and purchaser. CVS Controls assumes no liability for the selection use and maintenance of any product.