

CVS Controls Ltd. Series HPV-60 High Pressure Ball Valve

The CVS Controls Series HPV-60 is High Pressure Ball Valve, available in 1/2" 6000psi design.

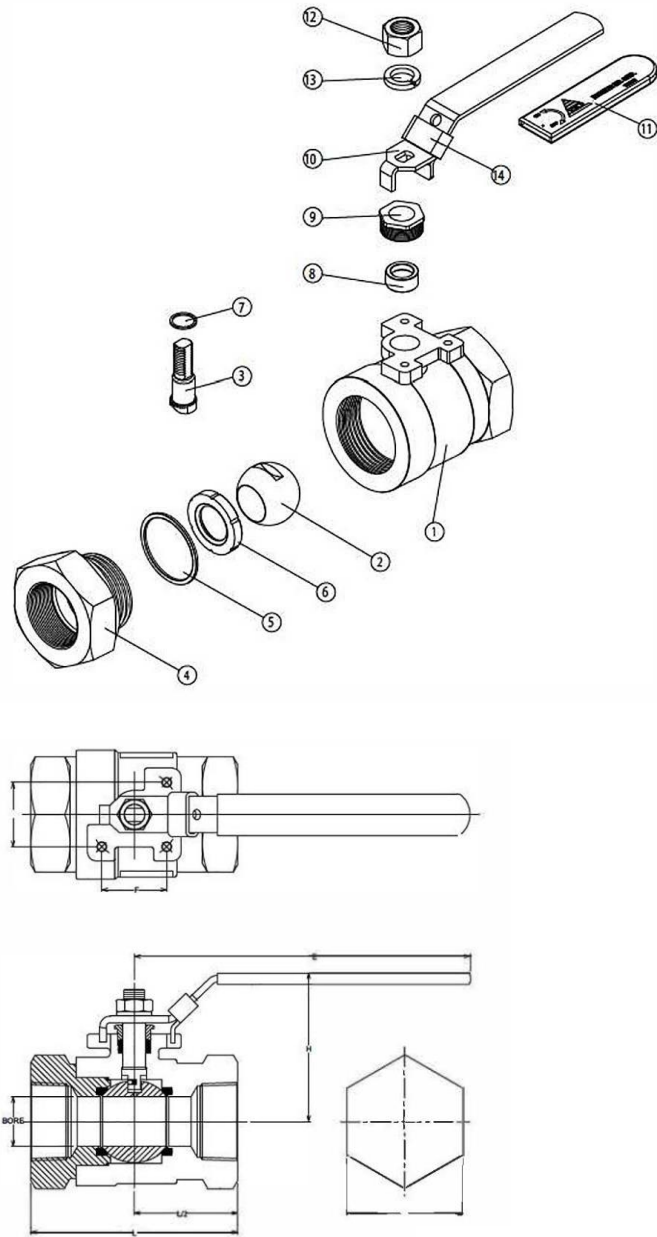
Features:

- Investment cast body construction
- 2 Piece Body Design
- Full Port –1/2" design
- CF8M Standard Body with Delrin Seats/Seals
- ISO 5211 Mounting Flange
- Seal Welded Body
- Blow out proof stem construction
- NPT Threaded End Connections
- Economical
- CRN Certified



CVS Series HPV-60 – 1/2 Inch

SPECIFICATIONS – 1/2 Inch, Full Port



Series HPV-60

Dimensions - mm									
Size	Bore	L/2	L	H	E	F	G	W	T
1/2"	12.70	49.78	100.8	55.88	125.98	25.40	25.40	31.75	12-24UNC
Dimensions - In									
1/2"	0.5	1.95	3.96	2.2	4.95	1	1	1.25	12-24UNC

Size	1/2 Inch	Full Port
End Connection	NPT Threaded Ends	
Working Pressure	6000 psi	
Temperature Limits	-40°C to 180°C	-40°F to 356°F
STANDARDS		
Design	ASME/ANSI B16.34 - latest	
Materials	ASTM	
Pressure Rating	API 598	
CERTIFICATIONS		
CRN		
Quality Assurance	ISO 9001	

Materials		
No	Description	Material
1	Body	CF8M
2	Ball	CF8M
3	Stem	SS316
4	Cap	CF8M
5	Body Seal	PTFE
6	Seat	Delrin
7	Thrust Washer	PTFE +15% GF
8	Stem Packing	Graphite
9	Gland Nut	SS304
10	Lever	SS304
11	Lever Cover	PLASTIC
12	Nut	SS304
13	Spring Washer	SS304
14	Locking Pad	SS304

CVS Controls Ltd. strives for the highest levels of quality and accuracy. The information included in this publication is presented for informational purposes only. CVS Controls Ltd. reserves the right to modify or change, and improve design, process, and specifications without written notice. Under no circumstance is the information contained to be interpreted to be a guarantee/warranty with regard to our products or services, applicability or use.

Selection, use and maintenance are the sole responsibility of the end user and purchaser. CVS Controls assumes no liability for the selection use and maintenance of any product.