

## CVS Controls Ltd. Series KF-314 L/T 3 Way Flanged High Pressure Ball Valve

The CVS Controls Series K-314 L/T is a 3 Way Flanged High Pressure Ball Valve, available in a 2" Class 300 design.

### Features:

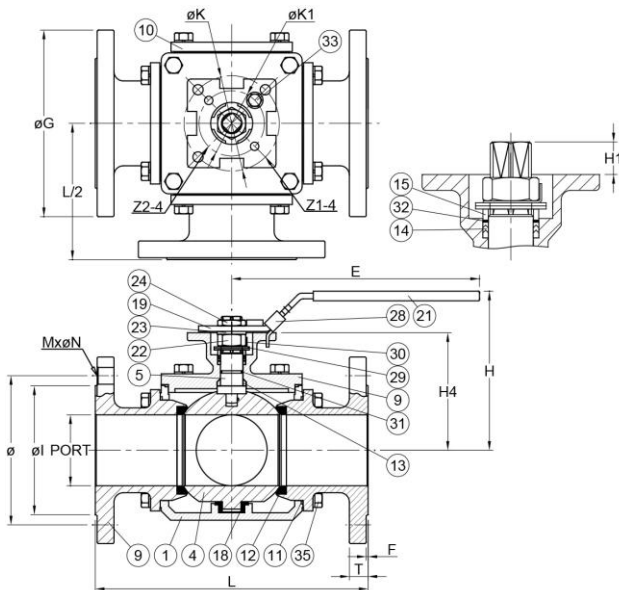
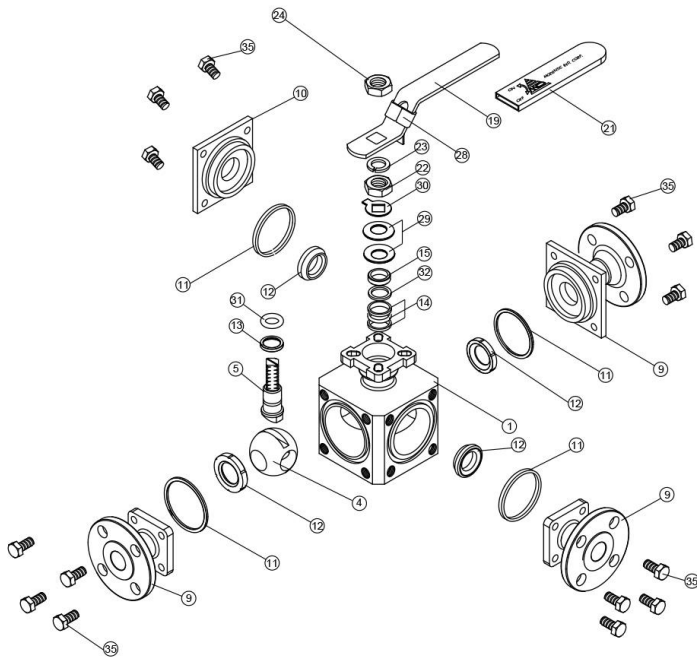
- Investment cast body construction
- 3 Way Screwed Ball Valve
- 360-degree rotation
- Positive location available at 90°
- Four Seat and Screwed Body Design
- Full Port –2" design
- L or T Port Flow Capability
- ISO 5211 Mounting Flange
- Blow out proof stem construction
- CF8M Standard Body with PTFE Seats/Seals
- Class 300 End Connections
- Economical
- CRN Certified



CVS Series KF-314 L/T – 2 Inch

TURN \ PORT	0°	90°	180°	270°
L				
T				

## SPECIFICATIONS – 2 Inch, Class 300, Full Port



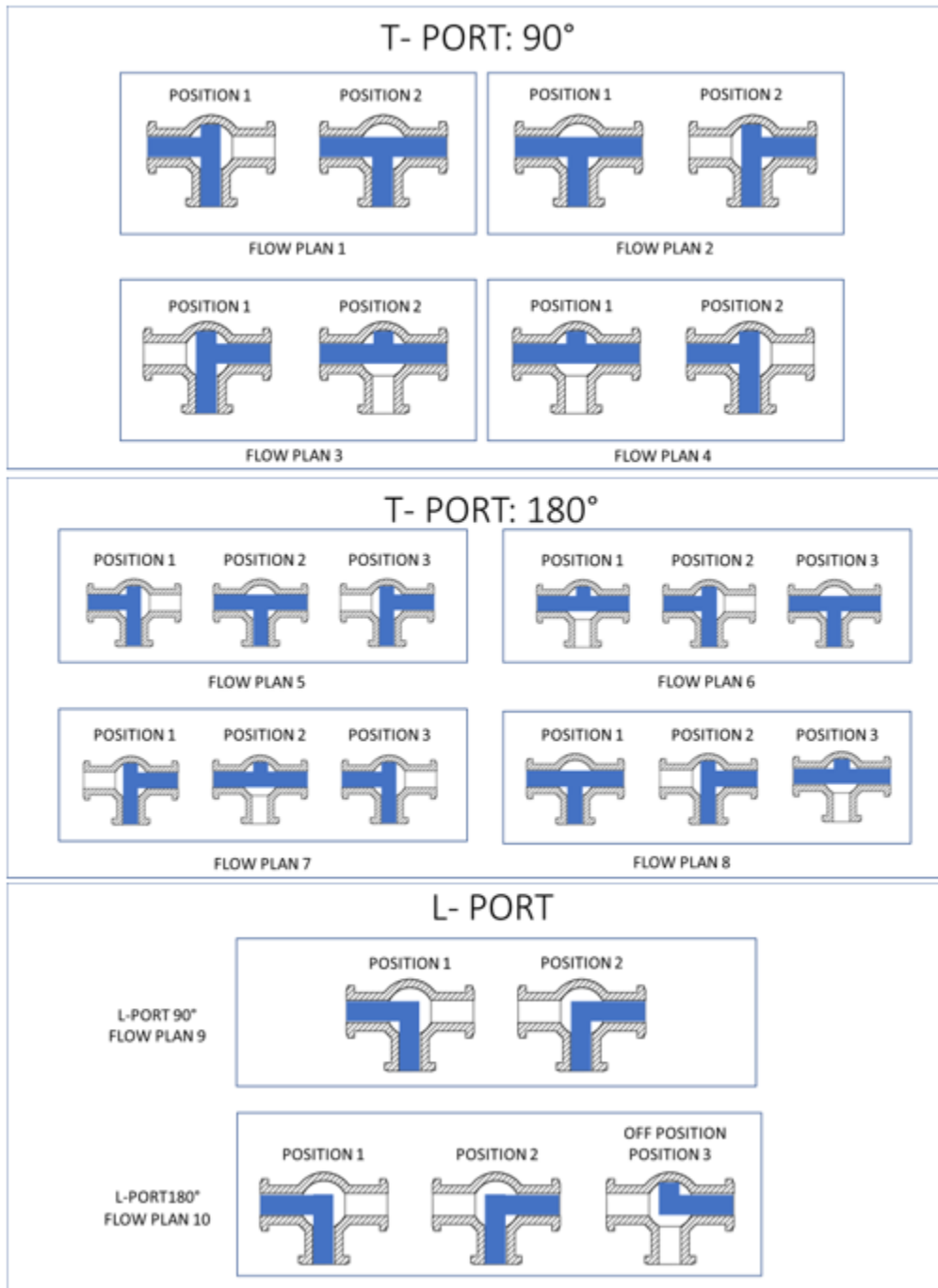
Series KF-314 L/T

Size	2 Inch	Full Port
End Connection	Class 300 Flanged Ends	
Working Pressure	800 psi	
Temperature Limits	-40°C to 180°C	-40°F to 356°F
<b>STANDARDS</b>		
Design	ASME/ANSI B16.34 - latest	
Materials	ASTM	
Pressure Rating	API 598	
<b>CERTIFICATIONS</b>		
CRN		
Quality Assurance	ISO 9001	

Materials		
No	Description	Material
1	Body	CF8M
4	Ball	CF8M
5	Stem	SS316
9	End Cap	CF8M
10	Blind Cap	CF8M
11	Body Seal	PTFE
12	Seat	PTFE
13	Thrust Washer	PTFE
14	Stem Packing	PTFE
15	Gland Bush	SS304
19	Handle	SS304
21	Handle Cover	Vinyl Grip
22	Stem Nut	SS304
23	Handle Washer	SS304
24	Handle Nut	SS304
28	Locking Pad	SS304
29	Belleville Washer	SUS304-CSP
30	Tab Washer	SS304
31	Stem O-Ring	Viton
32	Packing Follower	PTFE +25% GF
35	Body Bolt	SS304

Dimensions - mm																				
Size	Bore	L	E	E1	H	H1	H2	H4	C	G	J	I	T	F	M	N	Z1	Z	$\phi K$	$\phi K1$
2"	50.0	258.5	251.5	400	154.8	17.8	161.4	105.8	17	165	127	92.1	22.3	1.6	8	19.1	11	9	102	70
Dimensions - In																				
2"	2"	10.18	9.90	15.75	6.09	0.70	6.35	4.17	0.67	6.50	5	3.63	0.88	0.06	0.31	0.75	0.43	0.35	4.02	2.76

## CVS Controls Ltd. - 3 Way Valve Flow Patterns



CVS Controls Ltd. strives for the highest levels of quality and accuracy. The information included in this publication is presented for informational purposes only. CVS Controls Ltd. reserves the right to modify or change, and improve design, process, and specifications without written notice. Under no circumstance is the information contained to be interpreted to be a guarantee/warranty with regard to our products or services, applicability or use.

Selection, use and maintenance are the sole responsibility of the end user and purchaser. CVS Controls assumes no liability for the selection use and maintenance of any product.