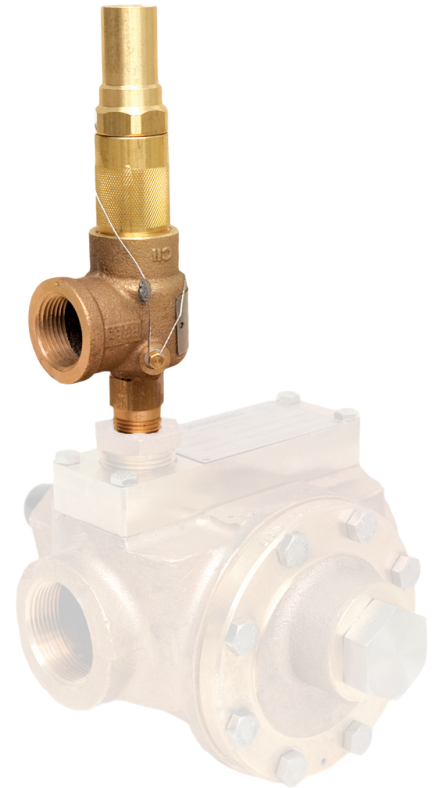
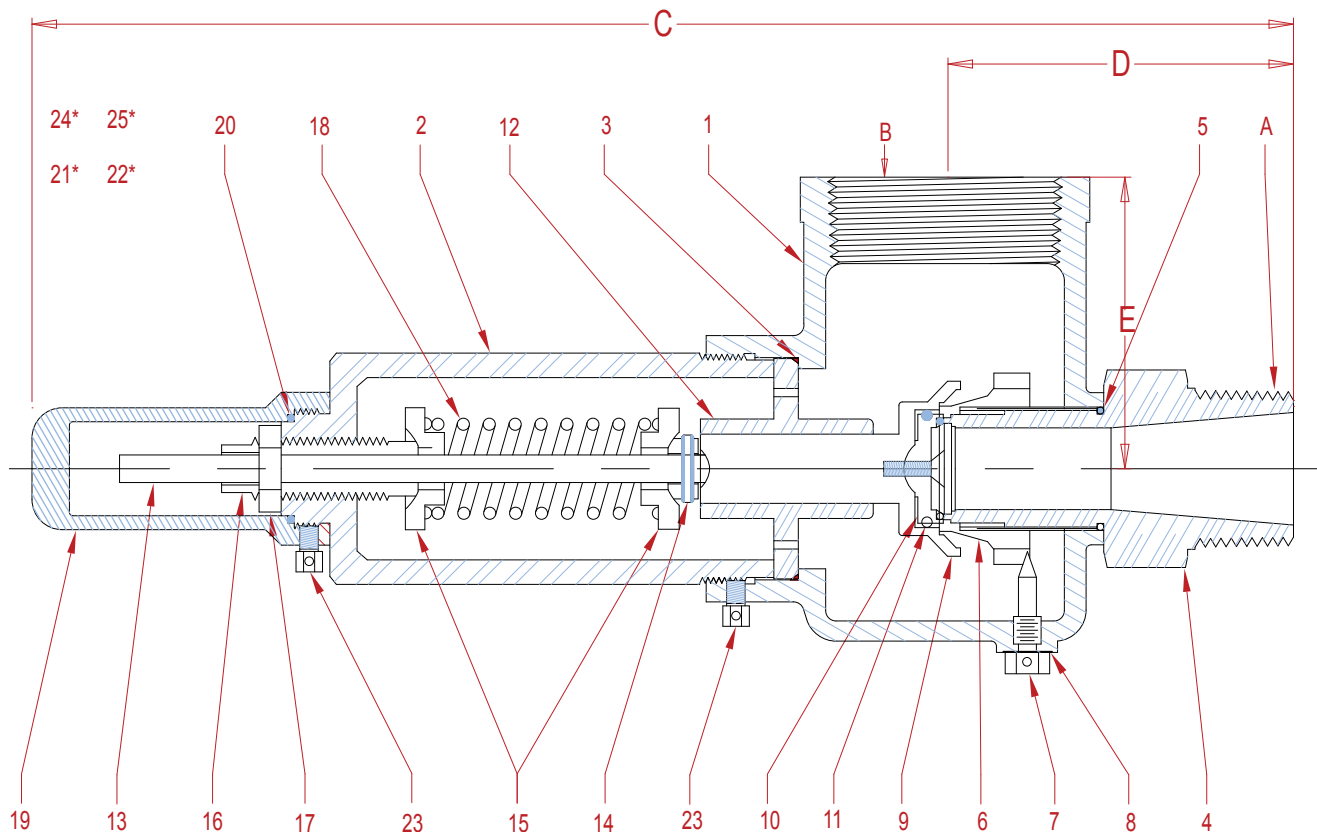


Features

- UL Tested to the latest UL 448C standard for positive displacement pumps
- FM Approved per class 1313 & 1359
- Bronze construction viton seats
- Factory set pressure @ 10% above pump's maximum design pressure
- Reseat pressure at 90% of set pressure
- Leak free at 85% of set pressure
- Factory set, labeled, and tested
- No field adjustment allowed
- Discharge must be piped back to foam concentrate tank using same pipe size as outlet or greater with no shut off valves in discharge line.



Chemguard can supply the pump, controller and PRV assembly as required by UL & FM as being listed or the complete skid assembly that will include all integral piping for ILBP or Balanced pressure system.



Bill of Materials

PARTS IDENTIFICATION				RELIEF VALVE PART NUMBERS AND SIZES AS PURCHASED					
ITEM	QTY.	DESCRIPTION	MATERIALS	511DCBZVXUL	511EDBZVX1UL	511FEBZVX1UL	511GFBZVX1UL	511GFBZVX2UL	511HGBZVX1UL
A	--	INLET SIZE, NPT MALE	--	1/2"	3/4"	1"	1-1/4"	1-1/4"	1-1/2"
B	--	OUTLET SIZE, NPT FEMALE	--	1"	1-1/4"	1-1/2"	2"	2"	2-1/2"
C	--	HEIGHT - OVERALL	--	7.54"	8.98"	10.33"	13.28"	13.28"	15.07
D	--	HEIGHT - BASE TO OUTLET	--	2.38"	2.62"	2.86"	3.25"	3.25"	3.49"
E	--	LENGTH - CENTER TO OUTLET	--	1.62"	2.00"	2.38"	2.82"	2.82"	2.75"
1	1	BODY	BRASS, ASTM B584	Q566405	Q566605	Q566805	Q567005	Q567005	Q567205
2	1	BONNET	BRASS, ASTM B16/B584	Q567606	Q567806	Q568006	Q577205	Q577205	Q577305
3	1	BONNET SEAL	PTFE	D393700	D393800	D394000	D394000	D394000	D394100
4	1	NOZZLE	BRASS, ASTM B16	L616806	L617006	L617206	L617406	L617406	L617606
5	1	NOZZLE SEAL	PTFE	D392900	D393000	D393100	D393200	D393200	D393300
6	1	NOZZLE RING	STA.STL., ASTM A351	L618005	L618105	L618205	L618305	L618305	L618405
7	1	NOZZLE ADJUSTING SCREW	BRASS, ASTM B16	B140806	B140706	B141706	B141506	B141506	B141606
8	1	NOZZLE SCREW SEAL	PTFE	D393500	D393500	D393600	D393600	D393600	D393600
9	1	SEAT HOLDER	BRASS, ASTM B16	L618606	L618806	L619006	L619206	L619206	L619406
10	1	VITON SEAT ASY. (YELLOW MARK)	STA.STL./VITON	W4920DV	W4920EV	W4920FV	W4920GV	W4920GV	W4920HV
11	1	RETAINING RING	STAINLESS STEEL	I635600	I635700	I635800	I635900	I635900	I636000
12	1	GUIDE	BRASS, ASTM B16	L619806	L620006	L620206	L620406	L620406	L620606
13	1	STEM	BRASS, ASTM B16	G395400	G395500	G395600	G395700	G395700	G395800
14	1	SPRING PIN	STAINLESS STEEL	I636200	I636300	I636400	I636500	I636500	I636500
15	2	SPRING WASHER	BRASS, ASTM B16	E245106	E244906	E245006	E244806	E244806	E244706
16	1	ADJUSTING BOLT	BRASS, ASTM B16	B243106	B242806	B243006	B250006	B249806	B250806
		PRESSURE RANGE		138-275 PSI	138-275 PSI	138-275 PSI	138-177 PSI	178-275 PSI	121-137 PSI
17	1	ADJUSTING BOLT NUT	BRASS, ASTM B16	C159606	C159606	C159806	C203306	C203306	C203306
18	1	SPRING - SEE RANGES BELOW	SEE BELOW	SEE BELOW	SEE BELOW	SEE BELOW	SEE BELOW	SEE BELOW	SEE BELOW
		121-137 PSI (GREEN COLOR CODE)	STAINLESS STEEL	NA	NA	NA	NA	NA	A-1373-00
		138-157 PSI (RED COLOR CODE)	STAINLESS STEEL	A-1819-00	A-1428-00	A-1410-00	A-1392-00	A-1392-00	NA
		158-177 PSI (YELLOW COLOR CODE)	STAINLESS STEEL	A-1820-00	A-1429-00	A-1411-00	A-1393-00	A-1393-00	NA
		178-202 PSI (BLUE COLOR CODE)	STAINLESS STEEL	A-1821-00	A-1430-00	A-1412-00	A-1394-00	A-1394-00	NA
		203-227 PSI (WHITE COLOR CODE)	STAINLESS STEEL	A-1822-00	A-1431-00	A-1413-00	A-1395-00	A-1395-00	NA
		228-250 PSI (BLACK COLOR CODE)	STAINLESS STEEL	A-1823-00	A-1432-00	A-1414-00	A-1396-00	A-1396-00	NA
		251-275 PSI (GREEN COLOR CODE)	STAINLESS STEEL	A-1935-00	A-1936-00	A-1937-00	A-1938-00	A-1938-00	NA
19	1	CAP	BRASS, ASTM B16	H286506	H286506	H308106	F325706	F325706	F325706
20	1	O-RING	VITON	D173400	D173400	D173400	D323900	D323900	D323900
21*	1	NAMEPLATE	STAINLESS STEEL	EP11501	EP11501	EP11501	EP11501	EP11501	EP11501
22*	2	DRIVE SCREW	STAINLESS STEEL	Z09-007-010	Z09-007-010	Z09-007-010	Z09-007-010	Z09-007-010	Z09-007-010
23	2	SET SCREW	B249300	B249300	B249300	B249300	B249400	B249400	B249400
24*	1	WIRE SEAL	STA.STL., ASTM A276	EP11964	EP11964	EP11964	EP11964	EP11964	EP11964
25*	1	PLUG, 1/8" NPT	BRASS	K399500	K399500	K399500	K399600	K399600	K399600

* LISTED PART NOT SHOWN ON DRAWING

NA = NOT APPROVED

Ordering information

Chemguard PRV Assembly Part Numbers can be created by replacing the prefix "UL", "1UL", or "2UL" with the applicable pressure setting.

Example: 511DCBZVX200 = 1/2" x 1" with 200 PSI setting