



Illustra Pro 2MP Micro



Key Features

- 2MP up to 60 frames per second
- Low-profile design allows for discrete deployments
- ONVIF Profile S compliant for simplified integrations
- No additional licensing cost when adding to VideoEdge NVRs
- Wide Dynamic Range and Soft Day/Night create a balanced scene in challenging lighting conditions
- Edge-based failover redundancy to provide improved camera-to-NVR connectivity
- Illustra IntelliZip offers powerful video compression technology for improved bandwidth management

Exceptional Video Quality for Discrete Applications

Ideal for applications where a low-profile, high-performance surveillance camera is required, the Illustra Pro Micro comes with a range of features for discrete installations. The lens can be placed up to 20ft (6m) from the camera body with optional cables. Both an 8in (203mm) and 6.5ft (2m) cable are included allowing for a variety of deployment options right out of the box. Wide Dynamic Range combined with the small size makes this product suited for applications such as ATMs, elevators, and entrances where backlighting can be a challenge. The camera is equipped with various viewing angles including horizontal view and corridor mode to ensure important details are captured without wasting the field of view.

Safeguard Against Cyber Attacks Across Devices

Illustra Pro IP cameras have been designed to be resilient against cyber-threats. This solution has a security overview page designed to help administrators quickly determine if the proper levels of protection are applied. Safeguard controls include

an enhanced security mode which forces the use of complex, non-default passwords and encrypted communications. Illustra Pro IP cameras adhere to the rigorous standards of the Tyco Cyber Protection Product Security Program. The holistic approach to cyber protection is aimed at providing peace of mind to our customers. Our security mindset begins at initial design concept and is supported through deployment, including a rapid incident response to meet the comprehensive and evolving cybersecurity environments.

Powerful Technology to Increase Confidence and Savings

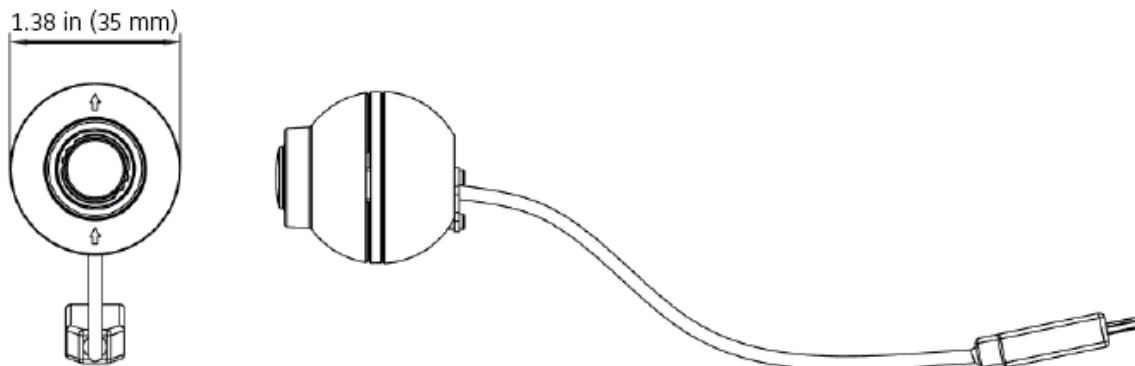
The Pro Micro camera features built-in technology that ensure efficient recording and smart bandwidth management, respectively. When paired with a VideoEdge or exacqVision NVR, edge-based failover redundancy allows video recording to continue on the camera when an outage occurs, then when connection is restored transfers video back to the media database for seamless viewing later. Illustra® IntelliZip continuously monitors and optimizes system streaming parameters to match the level of activity within the camera's field of view.

Specifications

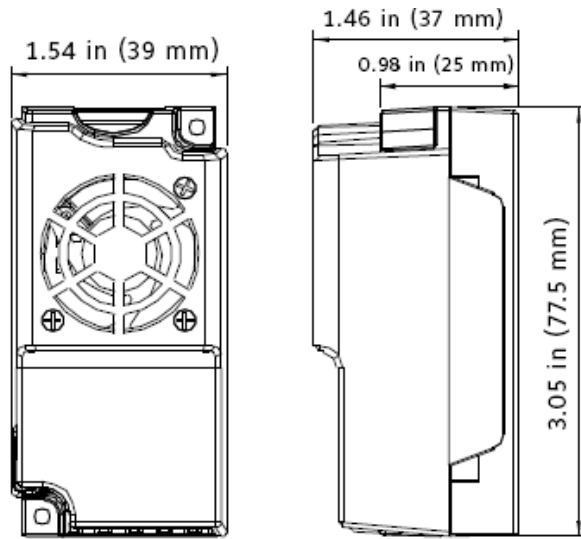
Operational									
Video Compression	H.264 / H.265 / IntelliZip / MJPEG								
Max Frame Rate	2MP @ 60 fps								
ONVIF-Compliant	Profile S								
Resolution & Aspect Ratio	<table border="0"> <tr> <td>1920 x 1080 (1080p) 16:9</td> <td>960 x 544 16:9</td> </tr> <tr> <td>1664 x 936 16:9</td> <td>800 x 456 16:9</td> </tr> <tr> <td>1280 x 720 (720p) 16:9</td> <td>640 x 360 (nHD) 16:9</td> </tr> <tr> <td>1024 x 576 (PAL+) 16:9</td> <td>480 x 272 16:9</td> </tr> </table>	1920 x 1080 (1080p) 16:9	960 x 544 16:9	1664 x 936 16:9	800 x 456 16:9	1280 x 720 (720p) 16:9	640 x 360 (nHD) 16:9	1024 x 576 (PAL+) 16:9	480 x 272 16:9
1920 x 1080 (1080p) 16:9	960 x 544 16:9								
1664 x 936 16:9	800 x 456 16:9								
1280 x 720 (720p) 16:9	640 x 360 (nHD) 16:9								
1024 x 576 (PAL+) 16:9	480 x 272 16:9								
Imager	1/2.8" CMOS, Progressive Scan								
Shutter Speed	1/4-1/10000								
Day/Night	Soft Day/Night								
TrickleStor	Yes								
Motion Detection	3 Zones								
Blur Detection	Yes								
Privacy Zones	9 Zones								
Alarm Input/Output	N/A								
Audio Input/Output	N/A								
Video Streams	Triple								
Minimum Illumination	0.01 lux								
Wide Dynamic Range	Dual Exposure True WDR 100 dB Technology								
Field of View (H/V)	116°/65°								
Aperture	F/1.8								
Lens Type	Fixed								
Focal Length	2.8 mm								
Supported Languages	Arabic, Czech, Chinese (Simplified), Chinese (Traditional), Danish, Dutch, English (US), French, German, Hungarian, Italian, Japanese, Korean, Polish, Portuguese (Brazilian), Russian, Spanish, Swedish, Turkish								

Network	
Ethernet Interface	IEEE 802.3, 10/100 Base-T Ethernet, Female RJ45, Auto-Negotiation
Supported Protocols	TCP/IP, IPv4, IPv6, TCP, UDP, HTTP, FTP, DHCP, WS-Discovery, DNS, DDNS, RTP, RTCP, TLS, Unicast, Multicast, NTP, SMTP, WS-Security, IEEE 802.1x, PEAP, SSH, HTTPS, SOAP, WS-Addressing, CIFS, SNMP, UPNP, RTSP, LLDP
Configuration Management	
Web Browser	IE9 and above, Firefox, Chrome, Safari
Security	Multiple user access levels, IP address filtering, user access log, IEEE 802.1x
Onboard Storage	
Card Support	Micro SDXC Slot Up to 128GB
Simultaneous Users	
	5 Simultaneous Users
Electrical	
Power Input	Power over Ethernet (PoE) IEEE 802.3af/802.3at Type 1 Class 3
Power Draw	8.5W
Physical	
Dimensions (LxWxH)	Camera Head: \varnothing 2.4 x 1.7 in (\varnothing 61 x 44 mm) Electronics Box: 3 x 1.5 x 1.5 in (77.5 x 39 x 37 mm)
Weight	0.7lbs (0.3kg)
Housing Color	Signal White Pantone RAL 9003
Operating Temperature	14°F - 104°F (-10°C - 40°C)
Vandal Resistant	N/A
Outdoor Rating	N/A
Regulatory	
Emissions	FCC Part 15 Class A; EN55032 Class A; AS/NZS CISPR 32 Class A; ICES-003/NMB-003 Class A
Immunity	EN55024, EN50130-4
Safety	EN60950-1; UL60950-1; IEC60950-1; CSA 22.2 No. 60950-1
Environment	RoHS; WEEE

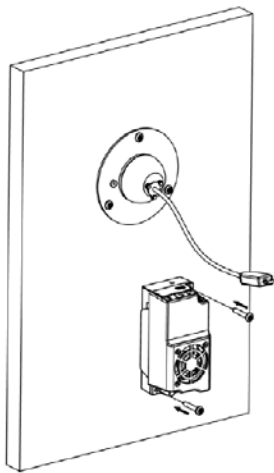
Pro 2MP Micro Lens Dimensions



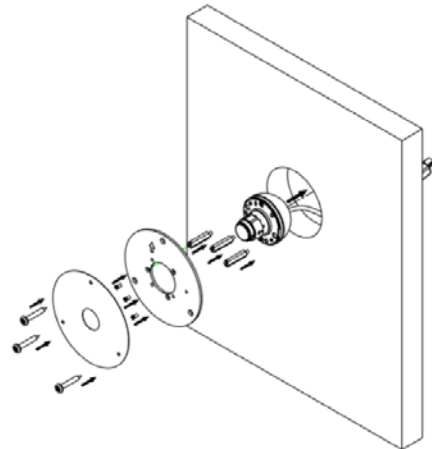
Pro 2MP Micro Power Supply Unit



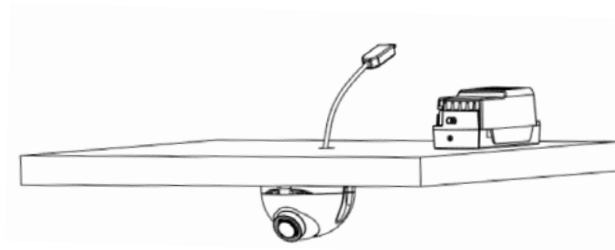
Recessed Mount Behind Wall



Recessed Mount Front of Wall



Surface Mount



Ordering Information

Model Numbers	Description
IPS02HFANWST2	Illustra Pro 2MP Micro, 2.8mm, indoor, non-vandal, white, SDN, TWDR*

*Mounting instructions and materials included

Accessories

Model Numbers	Description
IFMICRO6FTCBL (included)	Illustra Micro camera 6ft (2m) extension cable for lens module
IFMICRO13FTCBL	Illustra Micro camera 13ft (4m) extension cable for lens module
IFMICRO20FTCBL	Illustra Micro camera 20ft (6m) extension cable for lens module

Johnson Controls

Johnson Controls is a global diversified technology and multi-industrial leader serving a wide range of customers in more than 150 countries. Our 120,000 employees create intelligent buildings, efficient energy solutions, integrated infrastructure and next generation transportation systems that work seamlessly together to deliver on the promise of smart cities and communities. Our commitment to sustainability dates back to our roots in 1885, with the invention of the first electric room thermostat.