

# Pro Gen3 2MP, 3MP, 5MP, 8MP Bullet



## Key Benefits

- Pole/pendant mount and arm included for mounting flexibility
- Easily accessible ports simplify installation
- Profile settings allow the bullet to adapt to scenarios such as license plate recognition, gaming, and more
- Ultra low light capabilities to maintain color image quality without IR
- Dual power failover maximizes camera uptime
- Improved accuracy for facial detection with updated library algorithms

## Enriched Video Quality With Reduced Configuration Time

The Illustra Pro Gen3 Bullet maximizes video quality while minimizing installation costs and configuration time. Powerful integrated IR provides uninhibited images in total darkness up to 197ft away. Multiple mounting options featuring easily accessible cable ports simplify installation and ongoing maintenance. Building off the previous generation of cameras, the Pro Gen3 Bullet improves on important features such as Wide Dynamic Range, effective failover redundancy, cybersecurity, and Video Intelligence Analytics. Available in a range of resolutions and lens options, the Pro Gen3 Bullet can be added to a variety of deployments in both medium- and large-sized facilities.

## Smart Technologies Simplify Setup

Smart Wide Dynamic Range available in the Pro Gen3 Bullet reduces configuration time while greatly improving the quality of the video stream in varying lighting environments. By effectively reading the scene, the Bullet can adjust contrasting and overall scene balance without operator intervention or maintenance. Setup times are also reduced with the addition of application profiles that automatically adjust the camera's settings based on the environment.

## Transform Data at the Edge with Video Intelligence Analytics

Save resources when you offload analytic streaming from network video recorders to the edge on Illustra cameras. Video Intelligence Analytics provide real-time event alarms that allows for quick reaction to incidents and behaviors as they occur. Choose from a variety of analytic rules to customize the solution that will be most beneficial to your business and begin gathering transformative data instantly.

## Safeguard Against Cyber Attacks Across Devices

Illustra Pro IP cameras have been designed to be resilient against cyber-threats. This solution includes "secure boot" which ensures the camera will not start if software has been tampered with in any way. Additional safeguard controls include an enhanced security mode which forces the use of complex, non-default passwords and encrypted communications. Our products are gated, analyzed, tested and required to meet or exceed the rigorous standards of the Johnson Controls Cyber Solutions Product Security Program for every consecutive release. This holistic approach is aimed at providing peace of mind to our customers. Our security mindset begins at initial design concept and is supported through deployment, including a rapid incident response to meet the comprehensive and evolving cybersecurity environments.

## Specifications

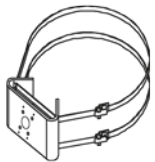
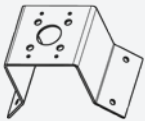
| Operational                   | 2MP   |                       | 3MP   |                       | 5MP  |                       | 8MP  |                       |
|-------------------------------|---|-----------------------|---|-----------------------|--|-----------------------|--|-----------------------|
| Video Compression             | H.264 / H.265 / MJPEG / IntelliZip  |                       |   |                       |  |                       |  |                       |
| Max Frame Rate                | 2MP @ 60 fps  |                       | 3MP @ 30 fps<br>2MP @ 60 fps  |                       | 5MP @ 30 fps<br>2MP @ 60 fps   |                       | 4K @ 30 fps<br>2MP @ 60 fps  |                       |
| Resolution & Aspect Ratio     | 1920x1080 (1080p) 16:9<br>1664x936 (HD+) 16:9<br>1280x720 (720p) 16:9<br>1024x576 (PAL+) 16:9<br>960x544 (qHD) 16:9<br>816x464 16:9<br>640x360 (nHD) 16:9<br>480x272 16:9 |                       | 2048x1536 4:3<br>1920x1080 (1080p) 16:9<br>1664x936 (HD+) 16:9<br>1280x960 4:3<br>1280x720 (720p) 16:9<br>800x600 (SVGA) 4:3<br>640x480 (VGA) 4:3<br>640x360 (nHD) 16:9<br>480x360 4:3<br>384x288 4:3 |                       | 2592x1944 4:3<br>2560x1440 16:9<br>2048x1536 4:3<br>1920x1080 (1080p) 16:9<br>1664x936 (HD+) 16:9<br>1280x960 4:3<br>1280x720 (720p) 16:9<br>800x600 (SVGA) 16:9<br>640x480 (VGA) 4:3<br>640x360 (nHD) 16:9<br>480x360 4:3;<br>384x288 4:3 |                       | 3840x2160 (4K) 16:9<br>3264x1840 16:9<br>2688x1520 16:9<br>1920x1080 (1080p) 16:9<br>1664x936 (HD+) 16:9<br>1280x720 (720p) 16:9<br>1024x576 (PAL+) 16:9<br>960x544 (qHD) 16:9<br>816x464 16:9<br>640x360 (nHD) 16:9<br>480x272 16:9 |                       |
| Video Streams                 | Quad Streaming  |                       |   |                       |  |                       |  |                       |
| Imager                        | Progressive Scan RGB 1/2.8" CMOS  |                       |   |                       |  |                       | Progressive Scan RGB 1/1.8" CMOS   |                       |
| Image Orientation Settings    | None, Mirror, Flip, Flip and Mirror, Corridor (rotate 90° right or left)  |                       |   |                       |  |                       |  |                       |
| Lens Type                     | Motorized Varifocal and Focus, P-Iris   |                       |   |                       |  |                       |  |                       |
| Focus Control                 | One-Touch Auto Focus or Remote Adjustment   |                       |   |                       |  |                       |  |                       |
| Focal Length                  | 2.7-13.5mm  | 4.7-47mm              | 2.7-13.5mm  | 4.7-47mm              | 2.7-13.5mm   | 13-55mm               | 3.6-10mm   | 13-55mm               |
| Field of View Wide (H/V)      | 112°/58°  | 62.2°/37°             | 100°/73°  | 58°/45°               | 103°/74°   | 25°/19°               | 95°/53°  | 33°/17°               |
| Field of View Telephoto (H/V) | 35°/20°   | 6.6°/3.7°             | 32°/24°   | 6.5°/4.5°             | 33°/25°  | 6°/4.6°               | 49°/28°  | 8.4°/4.5°             |
| Aperture                      | f/1.4 (W)<br>f/2.8 (T)  | f/1.6(w)<br>f/3.0 (T) | f/1.4 (W)<br>f/2.8 (T)  | f/1.6(w)<br>f/3.0 (T) | f/1.4 (W)<br>f/2.8 (T)   | f/1.7(w)<br>f/2.1 (T) | f/1.5 (W)<br>f/2.8 (T)   | f/1.7(w)<br>f/2.1 (T) |
| Minimum Illumination          | Color, 1/4s, 30 IRE, AGC  |                       |   |                       |  |                       |  |                       |
| Color, 1/4s, 30 IRE, AGC      | 0.01 Lux  | 0.1 Lux               | 0.02 Lux  | 0.03 Lux              | 0.03 Lux   | 0.03 Lux              | 0.03 Lux   | 0.03 Lux              |
| B/W, 1/4s, 30 IRE, AGC        | 0.0001 Lux  | 0.0001 Lux            | 0.0002 Lux  | 0.0003 Lux            | 0.0002 Lux   | 0.0003 Lux            | 0.0004 Lux   | 0.0005 Lux            |
| w/ IR                         | 0.0 Lux   | 0.0 Lux               | 0.0 Lux   | 0.0 Lux               | 0.0 Lux  | 0.0 Lux               | 0.0 Lux  | 0.0 Lux               |

|                                 |  |   |
|---------------------------------|--|---|
| IR Distance                     | Std lens: 197ft (60m)   Telephoto lens: 230ft (70m)  |   |
| Dynamic Range                   | Triple Exposure, True WDR 120 dB Technologies  | Dual Exposure, True WDR 110 dB Technologies |
| Day/Night                       | True Day/Night   |   |
| Shutter Speed                   | 1/4 - 1/10,000   |   |
| ONVIF-Compliant                 | Profile S  |   |
| Video Intelligence Analytics    | Linger, exit, direction, abandoned/removed objects, queue, dwell, enter, object detection, crowd, perimeter  |   |
| Motion Detection Zones          | 3  |   |
| Face Detection                  | Yes  |   |
| Blur Detection                  | Yes  |   |
| Privacy Zones                   | 9  |   |
| Alarms I/O                      | 2-1  |   |
| Analog Video Output             | 1  |   |
| Audio                           | Bi-Directional Full-Duplex   |   |
| Simultaneous Users              | 10   |   |
| Languages                       | Arabic, Chinese (Simplified), Chinese (Traditional), Czech, Danish, English (default), French, German, Hindi, Hungarian, Italian, Japanese, Korean, Netherlands, Polish, Portuguese, Spanish, Swedish, Turkish, Russian  |   |
| <b>Network</b>                  |  |   |
| Ethernet Interface              | 10/100/1000 BaseT, RJ-45, Auto-Negotiation   |   |
| Supported Protocols             | TCP/IP, IPv4, IPv6, TCP, UDP, HTTP, FTP, DHCP, WS-Discovery, DNS, DDNS, RTP, TLS, RTSP, ICMP, Unicast, Multicast, NTP, SMTP, WS-Security, SNMP, CIDS, FSTP, UPnP™, SIP   |   |
| <b>Configuration Management</b> |  |   |
| Web Browsers                    | IE 9 and above, Firefox, Safari, Chrome  |   |
| Security                        | Enhanced Security Mode (forces complex passwords, HTTPS and disables discovery); TLS 1.2 (256 bit cipher minimum); Security Overview Page (status and configuration); RTSP Authentication; IEEE 802.1X Client; Remote Accessible Audit logs; Role-Based Access Control |   |
| <b>Onboard Storage</b>          |  |   |
| Card Support                    | micro SDXC up to 512GB   |   |
| Pre-Alarm Recording             | Yes  |   |
| Recording Format                | MP4 File Format  |   |
| Recording Trigger               | Video Intelligence, Dry Contact Alarms, Motion Detection, Face Detection   |   |
| VideoEdge TrickleStor           | Yes  |   |
| <b>Electrical</b>               |  |   |
| Power Input                     | Power over Ethernet+ (PoE+) IEEE 802.3at Class 4 (48V 0.38A); 24 VAC 1.27A 50/60Hz   |   |
| Power Draw                      | PoE 18.2W, 24 VAC 30.5W  |   |
| <b>Physical</b>                 |  |   |
| Dimensions (RxH)                | Std lens: Ø3.15 x 8.07in (Ø79.9 x 205mm)   Std lens: Ø3.15 x 8.07in (Ø79.9 x 205mm)<br>Telephoto lens: Ø3.15 x 8.54in (Ø79.9 x 217mm)   Telephoto lens: Ø3.15 x 9.27in (Ø79.9 x 235.5mm)   |   |
| Weight                          | Std lens: 4.3lb (1.9kg)   Std lens: 4.3lb (1.9kg)<br>Telephoto lens: 4.5lb (2kg)   Telephoto lens: 5lb (2.2kg)   |   |
| Housing Color                   | Signal White - RAL 9003  |   |
| Operating Temperature           | -50°F to 140°F (-58°C to 60°C)   |   |
| Humidity                        | Up to 90% non-condensing   |   |
| Vandal Resistant                | IK10   |   |
| Outdoor Rating                  | IP67   |   |
| Plenum Rating                   | N/A  |   |

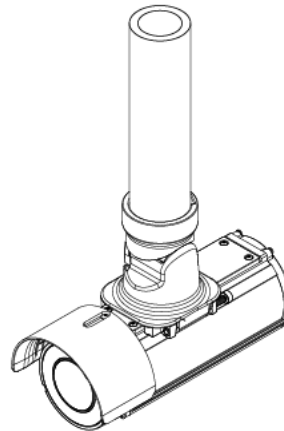
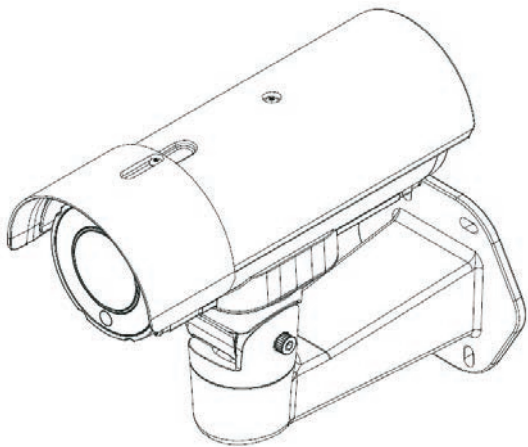
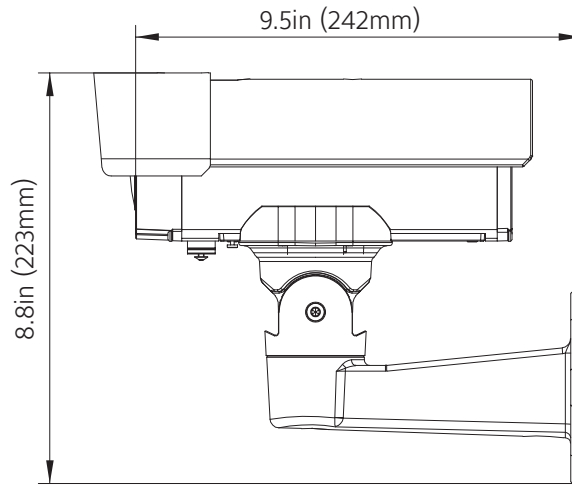
### Regulatory

|             |   |
|-------------|---|
| Safety      | UL/IEC 60950-1, 62368-1, 60950-22; IEC 62471; UL Listed; CB Certified |
| Emissions   | FCC CFR 47/15b Class A; EN55032 Class A                               |
| Immunity    | EN50130-4   |
| Environment | RoHS; Reach, WEEE, Waste packaging                                    |

### Accessories

| Accessory Type               | Image   | Model Number | Description   | Dimensions                           | Color                    |
|------------------------------|---|--------------|---|--------------------------------------|--------------------------|
| Pole Mount Adapter           |  | ADCDMPOLE    | For use with Pendant Cap and Gooseneck Arm, or directly to the camera back plate. | Wraps around pole                    | RAL 9003<br>Signal White |
| Outside Corner Mount Adapter |  | ADCDMCRNRO   | For use with Pendant Cap and Gooseneck Arm, or directly to the camera back plate. | 5.18 x 7.58 in<br>(131.5 x 192.5 mm) | RAL 9003                 |

### Pro Gen3 Bullet



## Ordering Information

| Model          | Description                                       |
|----------------|---|
| IPS02-B12-OI03 | 2MP Bullet, 2.7-13.5mm, TDN w/IR, Indoor/Outdoor  |
| IPS02-B15-OI03 | 2MP Bullet, 4.7-47mm, TDN w/IR, Indoor/Outdoor    |
| IPS03-B12-OI03 | 3MP Bullet, 2.7-13.5mm, TDN, w/IR, Indoor/Outdoor |
| IPS03-B15-OI03 | 3MP Bullet, 4.7-47mm, TDN, w/IR, Indoor/Outdoor   |
| IPS05-B12-OI03 | 5MP Bullet, 2.7-13.5mm, TDN w/IR, Indoor/Outdoor  |
| IPS05-B16-OI03 | 5MP Bullet, 13-55mm, TDN w/IR, Indoor/Outdoor     |
| IPS08-B13-OI03 | 8MP Bullet, 3.6-10mm, TDN, w/IR, Indoor/Outdoor   |
| IPS08-B16-OI03 | 8MP Bullet, 13-55mm, TDN, w/IR, Indoor/Outdoor    |

## Accessories

| Model      | Description   |
|------------|---|
| ADCDMPOLE  | Pole adaptor, used with ADLOMARM / ADCBMARM                   |
| ADCDMCRNRO | Corner adaptor, outside corner, used with ADLOMARM / ADCBMARM |

---

## About Johnson Controls

Johnson Controls is a global diversified technology and multi-industrial leader serving a wide range of customers in more than 150 countries. Our 120,000 employees create intelligent buildings, efficient energy solutions, integrated infrastructure and next generation transportation systems that work seamlessly together to deliver on the promise of smart cities and communities. Our commitment to sustainability dates back to our roots in 1885, with the invention of the first electric room thermostat.