

# 2.1MP Fixed HD Eyeball Camera



## Features That Make a Difference:

- 1/2.7" 2.1 Megapixel CMOS
- 25/30fps@1080P; 25/30/50/60fps@720P
- High speed, long distance real-time transmission
- HD and SD dual-output
- OSD Menu, control over coaxial cable
- WDR (120dB), Day/Night (ICR), AWB, AGC, BLC, 3DNR
- 3.6mm fixed lens
- Max. IR LEDs length 30m, Smart IR
- IP67, DC12V

## Excellent Alternative to IP Cameras

American Dynamics 2.1MP Varifocal HD Mini-Dome Cameras provide a true alternative to IP cameras. The cameras provide up to 1080p video resolution (1920 x 1080) in an uncompressed format over the same coaxial cable that is used for standard CCTV cameras.

This uncompressed video format can transmit over long distances without latency and bandwidth issues. Additionally, HD-CVI uses a single coaxial cable to transmit video, audio and control (OSD or PTZ) instead of requiring separate cables for each transmission.

Where most dome cameras operate on two axes, the eyeball camera's 3-Axis feature allows a wider range of mounting options.

The IR camera is waterproof, rated IP67, and features WDR making it an ideal solution for applications with volatile weather or lighting conditions.

## Part of a Cost-Effective Video Solution

The American Dynamics 2.1 Megapixel HD-CVI IR Eyeball Camera leverages existing cabling to provide a very cost-effective high-resolution video solution...in most cases, HD-CVI is a more cost-effective solution than older analog CCTV technology and is far less expensive than HD-SDI or IP technology.

The camera has Smart Infrared for recording over 196 feet away in total darkness, and its compact design makes low ceiling installations very straightforward.

Combined with the new Holis Tribrid recorders, users can combine HD and CCTV cameras on their system, allowing them to upgrade their system over time while protecting their initial CCTV investment.

## Specifications

### Camera

Image Sensor	1/2.7" 2.1 Megapixel CMOS
Effective Pixels	1928(H) x 1088 (V)
Electronic Shutter	1/3s ~ 1/300,000s
Video Frame Rate	25/30/50/60fps@720P; 25/30fps@1080P
Synchronization	Internal
Mini. Illumination	0.03Lux/F1.4, 0Lux IR on
Video Output	1-channel BNC HDCVI high definition video output & CVBS standard definition video output

### Camera Features

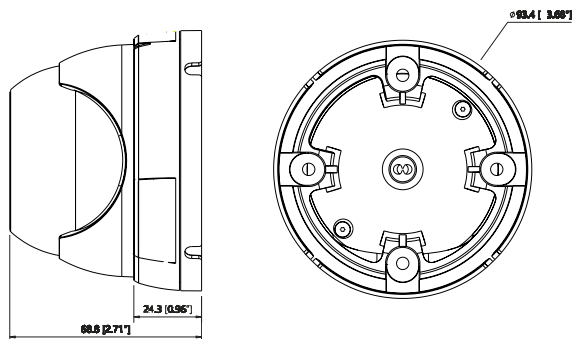
Max. IR LEDs Length	30m, Smart IR
Day/Night	Auto (ICR)/ Color / B/W
Backlight Compensation	120dB True WDR
Noise Reduction	2D/3D
OSD Menu	Multi-language

### Lens

Focal Length	3.6mm (6mm optional)
Angle of View	H: 90° (59.4°)
Mount Type	M12

### General

Power Supply	DC12V ± 25%
Power Consumption	Max 4W
Working Environment	-30° C ~ +60°C / 22° F ~ 140 °F / Less than 95%RH (no condensation)
Transmission Distance	Over 500m via 75-3 coaxial cable
Ingress Protection	IP67
Dimensions (W x D x H)	Ø 93.4mm x 79.7mm (3.7 x 3.1 in)
Weight	0.33kg (.73lbs)
Material	Metal



## Ordering Information

### Camera

ADHD2DO1IR	2.1MP 1080P Water-proof IR Eyeball Camera with 3.6MM Fixed Lens
------------	---

### Accessories

PFA13A	Junction Box Adapter
PFB204W	Waterproof Wall Mount
PFA152	Pole mount Adapter

\*This product is subject to certain restrictions on procurement, use, funding or contracting by the United States federal government as set forth in Section 889 (Prohibition on Certain Telecommunications and Video Surveillance Services or Equipment) of the John S. McCain National Defense Authorization Act for Fiscal Year 2019.

## Related Products



Holis Tribrid Recorders HD cameras

## Approvals

