

Flex 3MP & 8MP Mini-Domes



Key Features

- IK10-rated vandal resistance and IP67-rated for protection against dust and water damage
- IR illumination for clear images in low light conditions on outdoor model
- IntelliZip powerful video compression for bandwidth management
- TrickleStor provides edge-based failover redundancy
- P-iris for image clarity in changing light conditions
- Motion detection for instant intrusion alerts

High-Quality, Versatile Video Capabilities

The powerful Illustra Flex Mini-Domes are designed to offer a high-image quality, feature rich surveillance option for a wide range of applications. The increased amount of pixels per foot on the 8MP model improves image detail in wide areas such as loading docks and airport terminals. Also, the Outdoor Mini-Dome models feature built-in IR illuminators to produce clear images at an effective distance in a variety of low light conditions. Deployments that strive for a combination of high-resolution and high-performance at a competitive price point, all while simplifying installation and configuration stand to benefit the most from these Illustra Mini-Domes.

Powerful Technology to Increase Confidence and Savings

The Flex product family cameras feature built-in technology that ensure efficient recording and smart bandwidth management. When paired with a VideoEdge or exacqVision NVR, edge-based failover redundancy allows video recording to continue on the camera when an outage occurs, then when connection is restored transfers video back to the media database.

for seamless viewing later. Illustra® IntelliZip continuously monitors and optimizes system streaming parameters to match the level of activity within the camera's field of view.

Safeguard Against Cyber Attacks Across Devices

Illustra Flex Cameras have been designed to be resilient against cyber-threats. Our products are gated, analyzed, tested and required to meet or exceed the rigorous standards of the Johnson Controls Cyber Solutions Product Security Program for every consecutive release. This holistic approach is aimed at providing peace of mind to our customers. Our security mindset begins at initial design concept and is supported through deployment, including a rapid incident response to meet the comprehensive and evolving cybersecurity environments.

Specifications

Operational	3MP	8MP
Video Compression	H.264 / H.264+ IntelliZip / H.265 / MJPEG	
Max Frame Rate	2MP @ 60 fps	8MP @ 15 fps
Resolution & Aspect Ratio	2048x1536 (QXGA) 4:3	3840x2160 (4K) 16:9
	1920x1080 (1080p) 16:9	3264x1840 16:9
	1664x936 16:9	2592x1944 4:3
	1280x720 (720p) 16:9	2688x1520 16:9
	1024x576 (PAL+) 16:9	2048x1536 (QXGA) 4:3
	640x360 (nHD) 16:9	1920x1080 (1080p) 16:9
	480x360 (480) 16:9	1664x936 16:9
	384x288 4:3	1280x720 (720p) 16:9
		1024x576 (PAL+) 16:9
		640x360 (nHD) 16:9
		394x288 4:3
Video Streams	Triple Streaming with a Maximum of 5 Concurrent Streams	
Imager	Progress Scan RGB CMOS 1/2.8"	Progress Scan RGB CMOS 1/2.5"
Image Orientation Settings	None, Mirror, Flip, Mirror and flip	
Lens Type	Motorized Varifocal and Focus, P-iris control, IR corrective	
Focus Control	Motorized, Auto Focus	
Focal Length	2.8-12mm	3.4-9mm
Field of View Wide (H/V)	98°/71°	104°/56°
Field of View Telephoto (H/V)	35°/26°	42°/24°
Aperture	F/1.4 (W)	F/1.5 (W)
	F/2.7 (T)	F/2.9 (T)
Minimum Illumination		
Color, 1/4s, 30 IRE, AGC	0.03 Lux	0.03 Lux
B/W, 1/4s, 30 IRE, AGC	0.001 Lux	0.0003 Lux
w/ IR (Outdoor Models)	0.0 Lux	0.0 Lux
Operating Distance (Outdoor Models only)	98ft (30m)	
Dynamic Range	Triple Exposure, True WDR 120 dB Technologies	Dual Exposure, True WDR 100 dB Technologies
Day/Night	True Day/Night with ICR	
Shutter Speed	1/4 - 1/10,000 sec	
ONVIF-Compliant	Profile S	
Motion Detection Zones	3	
Blur Detection	Yes	
Privacy Zones	9	
Alarms I/O	1/1	

Analog Video Output	Yes
Audio	1/1
Simultaneous Users	5
Languages	Arabic, Czech, Chinese (Simplified), Chinese (Traditional), Danish, Dutch, English (US), French, German, Italian, Japanese, Korean, Polish, Portuguese (Brazilian), Russian, Spanish, Turkish
Network	
Ethernet Interface	IEEE 802.3, 10/100Base-T Ethernet, Female RJ45, Auto-Negotiation
Supported Protocols	TCP/IP, IPv4, IPv6, TCP, UDP, HTTP, FTP, DHCP, WS-Discovery, DNS, DDNS, RTP, RTCP, RTSP, TLS, Unicast, Multicast, NTP, ICMP, IGMP, SMTP, WS-Security, IEEE 802.1x, PEAP, EAP-TLS, EAPoL, SSH, HTTPS, SOAP, WSAddressing, CIFS, SNMP, UPNP, RTSP, LLDP
Configuration Management	
Web Browsers	Internet Explorer 9 or above, Firefox, Safari, Chrome
Security	TLS - RFC5246 v1.2, HTTPS (HTTP over TLS) - RFC2818, WS-Security, Certificate Management, Multi-Level Password Protection, IP Address, Filtering, HTTPS Encryption, One-Click Security Hardening, User Access Log, Validate Complex Credentials, Disabling Unused Protocols, IEEE, 802.1x Including: PEAP, EAP-TLS, EAPoL
Onboard Storage	
Card Support	Micro SD & SDXC slot up to 128GB
Pre-Alarm Recording	10 seconds
Recording Format	MP4
Recording Trigger	Motion, Alarm Input
VideoEdge TrickleStor	Yes
Electrical	
Power Input	Power over Ethernet (PoE) IEEE 802.3af Type 1 Class 3(Outdoor)/Class 2(Indoor); 24 VAC
Power Draw	6W (Indoor Models) 12W (Outdoor Models)
Physical	
Dimensions (RxH)	Ø4.8 x 4.2 in (Ø123 x 107 mm)
Weight	2.14lbs (0.97kg)
Housing Color	Signal White Pantone RAL 9003
Operating Temperature	Indoor Models: 4°F to 122°F (-20°C to 50°C) Outdoor Models: -58°F to 122°F (-50°C to 50°C) Extended Temperature on Outdoor Model: 140°F (60°C) for 5 hrs a day with IR illuminators OFF ¹
Humidity	Up to 90% non-condensing
Vandal Resistant	IK10
Outdoor Rating	IP67
Regulatory	
Safety	EN60950-1; UL60950-1; CAN/CSA-C22.2 No. 60950-1
Emissions	FCC Part 15 Class A; EN55032 Class A; AS/NZS CISPR 32 Class A; ICES-003/NMB-003 Class A
Immunity	EN55024, EN50130-4
Environment	RoHS; WEEE

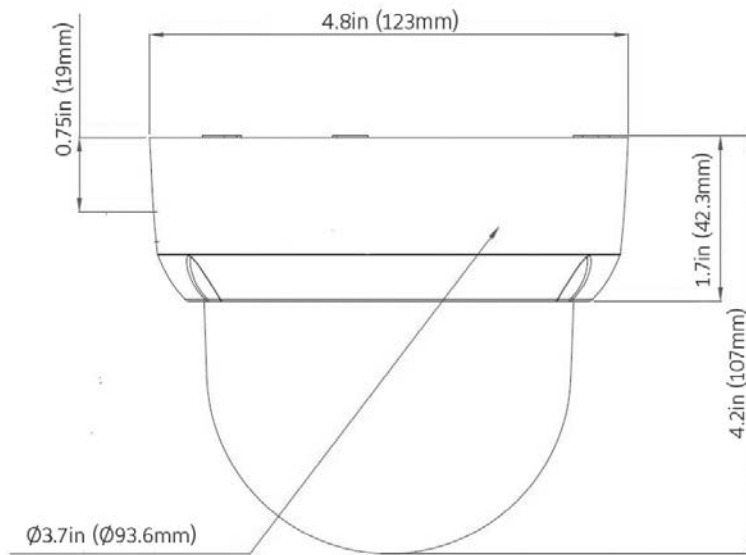
¹Extended temperature limited to cameras installed in indirect sunlight



Flex Indoor Mini-Dome



Flex Outdoor Mini-Dome



Accessories

Accessory Type	Image	Model Number	Description	Dimensions	Color
Mount		IFDRECMNT	Mini-Dome recessed mount	Ø7.76 x 1.61 in (Ø197 x 41 mm)	RAL 9003 Signal White
Bubble		IFMDBWSMK	Smoked bubble for use with Flex Mini-Domes	Ø4.8 x 4.2 in (Ø123 x 107 mm)	RAL 9003 Signal White (Trim)
Pendant Cap		ADCi6DPCAPIW	Pendant Cap: Indoor, White	Ø5.8 x 2.2 x 5.8 in (Ø148 x 55 x 147.4 mm)	RAL 9003 Signal White
Gooseneck Arm		ADLOMARM	For use with Pendant Cap	4.4 x 8.78 x 4.4 in (112.5 x 222.9 x 112.5 mm)	RAL 9003 Signal White

Outside Corner Mount Adapter		ADCDMCRNRO	For use with Pendant Cap and Gooseneck Arm, or directly to the camera back plate.	5.18 x 7.58 in (131.5 x 192.5 mm)	RAL 9003 Signal White
Pole Mount Adapter		ADCDMPOLE	For use with Pendant Cap and Gooseneck Arm, or directly to the camera back plate.	Wraps around pole	RAL 9003 Signal White

Ordering Information

Model	Description
IFS08D2ICWTT	Illustra Flex 8MP mini-dome, 3.4-9mm, indoor, vandal, clear, white, TDN, TWDR
IFS08D2OCWIT	Illustra Flex 8MP mini-dome, 3.4-9mm, outdoor, vandal, clear, white, TDN w/IR, TWDR
IFS03D1ICWTT	Illustra Flex 3MP Mini-dome, 2.8-12mm, indoor, vandal, clear, white, TDN, TWDR
IFS03D1OCWIT	Illustra Flex 3MP Mini-dome, 2.8-12mm, outdoor, vandal, clear, white, TDN w/IR, TWDR

Accessories

Model	Description
IFDRECMNT	Recessed Mount for Flex Mini-Domes (IFXX Series)
IFMDBWSMK	Illustra Flex Mini-Dome Smoked Vandal Bubble Assembly
ADCi6DPCAPIW	Illustra compact mini-dome pendant cap, white, 3/4" NPT
ADLOMARM	Gooseneck Arm (White)
ADCDMCRNRO	Outside Corner Mount Adaptor (White)
ADCDMPOLE	Pole Mount Adaptor (White)

About Johnson Controls

Johnson Controls is a global diversified technology and multi-industrial leader serving a wide range of customers in more than 150 countries. Our 120,000 employees create intelligent buildings, efficient energy solutions, integrated infrastructure and next generation transportation systems that work seamlessly together to deliver on the promise of smart cities and communities. Our commitment to sustainability dates back to our roots in 1885, with the invention of the first electric room thermostat.