



Illustra Flex 3MP Bullet



Key Benefits

- IK10-rated vandal-resistance and IP68-rated for protection against dust and water damage
- TrickleStor technology for edge-based failover redundancy
- IntelliZip powerful video compression for bandwidth management
- P-iris for image clarity in changing light conditions
- Motion detection for instant intruder alerts
- 3MP resolution for true HD quality images

Optimal Image Clarity with a Tough Exterior

Solid yet affordable, the Illustra Flex 3MP Bullet camera is ideal for both interior and exterior applications that require a vandal- and weather-resistant option. The Illustra Flex Bullet Camera comes complete with built-in IR illuminators for clear video images in extreme low light or zero illumination conditions providing crisp, clear video quality both day and night.

Safeguard Against Cyber Attacks Across Devices

Illustra Flex IP cameras have been designed to protect against cyber-threats. This resilient solution has a security overview page so that administrators can quickly determine if the proper levels of protection are applied. Safeguard controls include an enhanced security mode which forces the use of complex, non-default passwords and encrypted communications. Illustra Flex IP cameras adhere to the rigorous standards of the Tyco Cyber Protection Product Security Program. The holistic approach to cyber protection is aimed at providing peace of mind to our customers. Our security mindset begins at initial design concept and is supported through deployment, including a rapid incident response to meet the comprehensive and evolving cybersecurity environments.



Powerful Technology to Increase Confidence and Savings

The Flex product family cameras feature built-in technology that ensure failover redundancy and smart bandwidth management, respectively. When paired with a VideoEdge NVR, VideoEdge® Tricklestor allows video recording to continue on the edge when an outage occurs, then, when connection is restored, transfers video back to the media database for seamless viewing later. Illustra® IntelliZip continuously monitors and optimizes system streaming parameters to match the level of activity within the camera's field of view.

Achieve Clarity Despite Challenging Scene and Lighting Conditions

Illustra cameras deliver exceptional images even with highly contrasted images in a scene. Cameras available with Wide Dynamic Range functionality have special software that allows them to balance foreground and background lighting for one clear image, while still maintaining the right color balance. Additionally, a powerful processor combined with a sensitivity sensor switches the camera automatically between color and black and white modes, providing quality images even in ultra-low light scenarios.

Specifications

Operational		3MP	
Video Compression	H.264 / H.265 / IntelliZip / MJPEG		
Max Frame Rate	30ips @ 3MP, 60ips @ 1080p		
ONVIF-Compliant	Profile S		
Analog Video Output	Yes		
Resolution	2048x1536 (QXGA) 4:3 1920x1080 (1080p) 16:9 1664x936 16:9 1280x720 (720p) 16:9	1024x576 (PAL+) 16:9 640x360 (nHD) 16:9 480x360 (480) 4:3 384x288 4:3	
Imager	1/2.8" CMOS		
Shutter Speed	1/4-1/10000		
Day/Night	True D/N with ICR		
TrickleStor	Yes		
IR Distance	25m		
Motion Detection	3 Zones		
Blur Detection	Yes		
Privacy Zones	9 Zones		
Alarm Input/Output	1/1		
Audio Input/Output	1/1		
Video Streams	Triple		
Minimum Illumination			
Color	0.03 Lux		
B/W	0.001 Lux		
True Wide Dynamic Range	120dB		
Field of View (H/V)			
Wide Angle	98°/71°		
Telephoto	35°/26°		
Aperture	F/1.4(W)~F/2.7(T)		
Lens Type	Motorized Varifocal and Focus, P-iris control, IR corrective		
Focal length	2.8-12mm		
Supported Languages	Arabic, Czech, Chinese (Simplified), Chinese (Traditional), Danish, Dutch, English (US), French, German, Hungarian, Italian, Japanese, Korean, Polish, Portuguese (Brazilian), Russian, Spanish, Swedish, Turkish		
Network			
Ethernet Interface	10/100Base-T, RJ-45		
Supported Protocols	TCP/IP, IPv4, IPv6, TCP, UDP, HTTP, FTP, DHCP, WS-Discovery, DNS, DDNS, RTP, RTCP, TLS, Unicast, Multicast, NTP, SMTP, WS-Security, IEEE 802.1x, PEAP, SSH, HTTPS, SOAP, WS-Addressing, CIFS, SNMP, UPNP, RTSP, LLDP		

Configuration Management	
Web Browser	IE9 and above, Firefox, Chrome, Safari
Security	Multiple user access levels, IP address filtering, user access log, IEEE 802.1x
Onboard Storage	
Card Support	Micro SDXC Slot Up to 128GB
Simultaneous Users	
	5 Simultaneous Users
Electrical	
Power Input	PoE IEEE 802.2af class 3, 24VAC
Power Draw	15W
Physical	
Dimensions	Ø3.05 x 9.25 in (Ø77.5 x 235 mm)
Weight	2.65lbs (1.2kg)
Housing Color	Signal White Pantone RAL 9003
Operator Temperature	-40°F to 122°F (-40°C to 50°C)
Vandal Resistant	IK10
Outdoor Rating	IP66, IP67, IP68
Regulatory	
Emissions	FCC Part 15 Class A; EN55032 Class A; AS/NZS; CISPR 32 Class A; ICES-003/NMB-003 Class A
Immunity	EN55024, EN50130-4
Safety	EN60950-1; UL60950-1; IEC60950-1; CSA 22.2 No. 60950
Environment	RoHS; WEEE

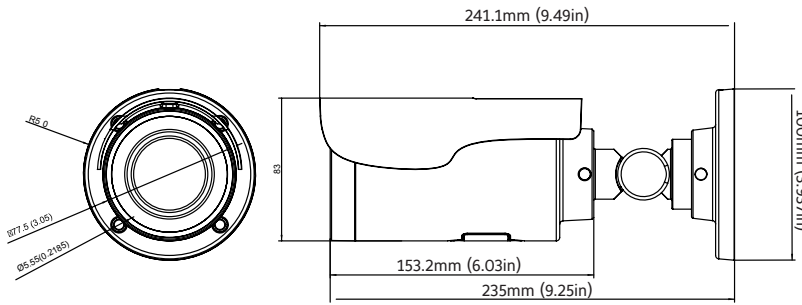
Ordering Information

Model	Description
IFS03B10NWIT	Illustra Flex 3MP Bullet, 2.8-12mm, outdoor, vandal, white, TDN w/IR, TWDR

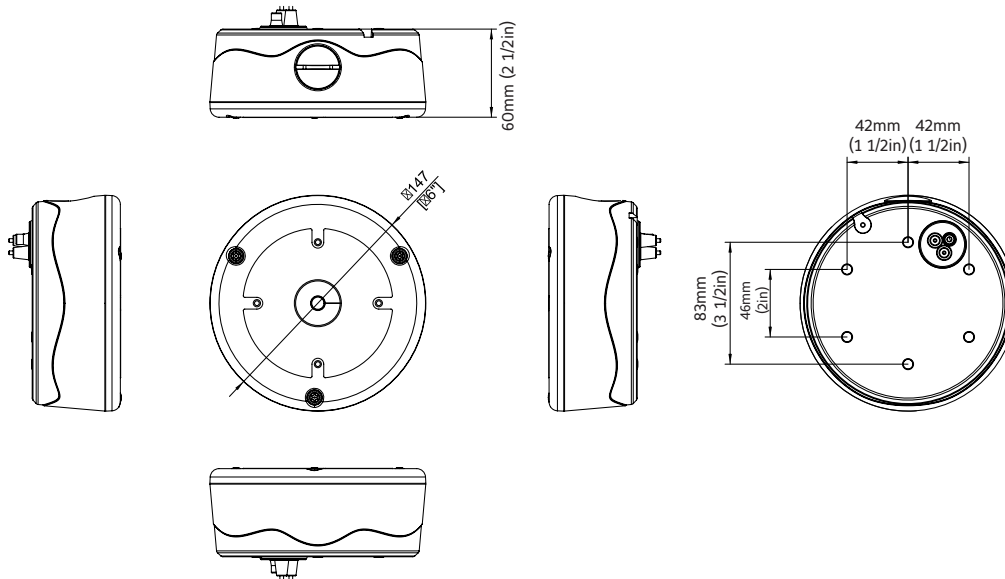
Accessories

Model	Description
IFBMNTBOX	Flex Bullet Mounting Box (IFXX Series)

Flex IK10 Bullet with Dimensions



Flex Mounting Accessory with Dimensions



Approvals



About Johnson Controls

Johnson Controls is a global diversified technology and multi-industrial leader serving a wide range of customers in more than 150 countries. Our 120,000 employees create intelligent buildings, efficient energy solutions, integrated infrastructure and next generation transportation systems that work seamlessly together to deliver on the promise of smart cities and communities. Our commitment to sustainability dates back to our roots in 1885, with the invention of the first electric room thermostat.