



AD1301 and 1303

INDOOR WEDGE CAMERA HOUSINGS



The AD1301 and AD1303 wedge ceiling housings are designed to accommodate most solid state camera and lens combinations.

The fully enclosed, low-profile design allows for inconspicuous camera placement and excellent protection, yet the camera is easy to install and service. The all-metal construction enables the housings to be used in plenum-rated ceilings. The tamper resistant locking screws provide an additional level of security.

The AD1301 and AD1303 are designed for indoor use only.

FEATURES

- Low-profile wedge shape
- Easy installation
- Suitable for installation in open plenum ceilings
- All metal construction
- Tamper resistant
- Distortion free Lexan® viewing window

SPECIFICATIONS

Model Numbers

AD1301	Camera housing, indoor, ceiling wedge, 231 mm (9.10 in) maximum camera/lens size
AD1303	Camera housing, indoor, ceiling wedge, 304 mm (12.0 in) maximum camera/lens size

Mechanical

Dimensions (H x W x D)

AD1301

Total	165.1 x 120.7 x 295.3 mm (6.6 x 4.75 x 11.63 in)
Above Ceiling	76.2 x 85.7 x 231.8 mm (3.0 x 3.38 x 9.13 in)
Below Ceiling	88.9 x 120.7 x 295.3 mm (3.5 x 4.75 x 11.63 in)

AD1303

Total	208 x 158.8 x 377.8 mm (8.19 x 6.25 x 14.88 in)
Above Ceiling	102 x 127 x 317.5 mm (4.0 x 5.0 x 12.5 in)
Below Ceiling	106 x 158.8 x 377.8 mm (4.25 x 6.25 x 14.88 in)

Construction

Back box	18 gauge (1.2 mm) steel
Housing	16 gauge (1.5 mm) steel
Viewing Window	6.35 mm (0.25 in) thick Lexan®
Housing Finish	Baked enamel texture
Color	Beige

Unit Weight

AD1301	1.82 kg (4.0 lbs)
AD1303	3.75 kg (8.25 lbs)

Shipping Weight

AD1301	2.42 kg (5.3 lbs)
AD1303	4.35 kg (9.6 lbs)

Cable Entry Four 1/2-inch electrical knockouts

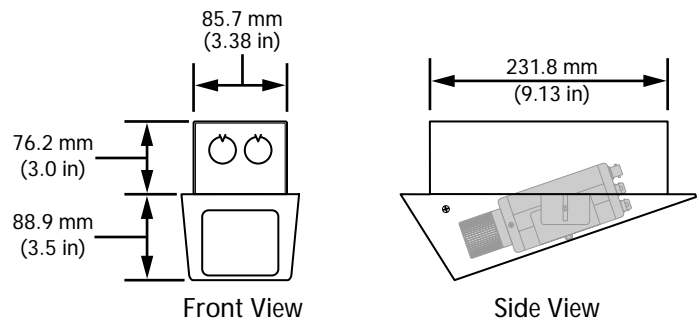
Maximum Camera/Lens Size

AD1301	231 mm (9.10 in)
AD1303	304 mm (12.0 in)

Camera Mounting 1/4-inch - 20

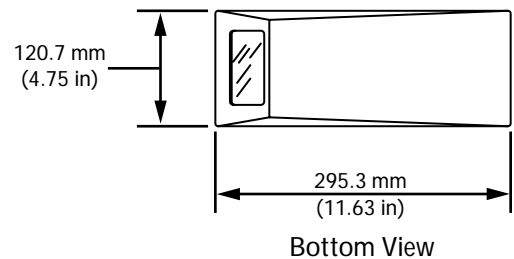
Optional Mounting Accessories

AD1301DCM	2' x 2' Drop Ceiling Mount for AD1301
AD1303DCM	2' x 2' Drop Ceiling Mount for AD1303
AD1303RK	Drop Ceiling Rail Kit for AD1301DCM and AD1303DCM



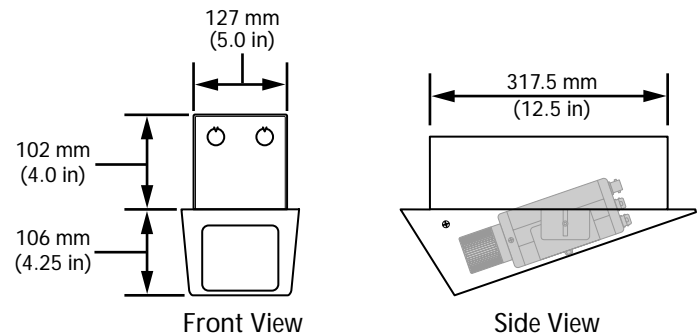
Front View

Side View



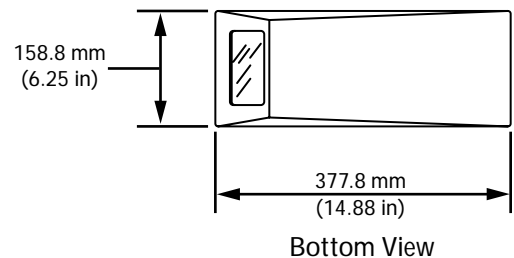
Bottom View

AD1301 Diagram



Front View

Side View



Bottom View

AD1303 Diagram