



Flat Lens Fixed Camera Housing



FEATURES

- Easy installation
- All metal back box construction
- Suitable for use in open plenum ceilings
- Compact, attractive design
- Designed for worldwide use
- Perfect for low ceiling applications
- Provides fixed camera capability in an unobtrusive design

The Flat Lens Fixed Camera Housing provides customers with a value driven in-ceiling alternative to conventional camera mounting methods.

The tilt table camera mounts are designed to accommodate select camera and lens combinations. It provides a flat window option to the traditional bubble trim ring design. The top hat is quick and easy to install and can be used in a variety of indoor applications.

The Flat Lens Fixed Camera Housing has a plenum-rated back box which can be installed in a hard ceiling or standard 61 x 61 cm (2 x 2 ft) suspended ceiling.

The Flat Lens Fixed Camera Housing is designed to blend in with other ceiling fixtures.

SPECIFICATIONS

Model Number

RHOPTLENS Flat Lens Fixed Camera Housing with smoked optical grade flat acrylic window

Mechanical

Housing Black anodized aluminum
 Dimensions (H x D)
 Total 193.4 x 245 mm
 (7.62 x 9.65 in)
 Above Ceiling 158 x 187.6 mm
 (6.23 x 7.39 in)
 Below Ceiling 35.4 x 245 mm
 (1.40 x 9.65 in)
 Weight 1.32 kg (2.90 lbs)
 Flat Window Smoked acrylic optical grade flat panel;
 1.6 mm thick
 Maximum Camera/Lens Size
 Dimensions (H x W x D) 165 x 51 x 64 mm
 (6.5 x 2 x 2.5 in)

Environmental

Indoor Use Only
 Operating Temperature 0° to 50° C (32° to 122° F)

Regulatory

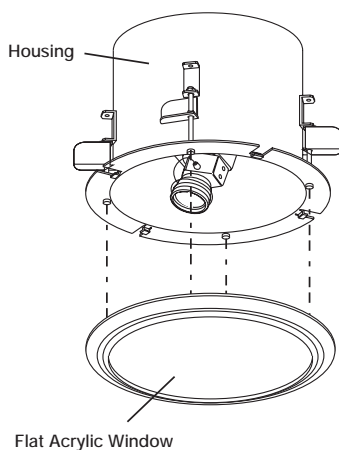
Safety UL, cUL1950

Mounting Accessories

RH2X2 2 x 2 ft ceiling mounting plate

Compatibility Chart

Lens	Description	Cameras	
		ADC732 or ADC732X	ADC762 or ADC762X
L0412NI	1/3 in, 4 mm, FI, F1.2	Yes	Yes
L0812NI	1/3 in, 8 mm, FI, F1.2	Yes	Yes
L0412CS	1/3 in, 4 mm, MI, F1.2	Yes	Yes
L0812CS	1/3 in, 8 mm, MI, F1.2	Yes	Yes
LD0412CS	1/3 in, 4 mm, DC, F1.2	Yes	Yes
LD0812CS	1/3 in, 8 mm, DC, F1.2	Yes	Yes



Flat Lens Fixed Camera Housing