

Discover 550 Series 700 TVL Box Camera



Features That Make a Difference:

- 1/3" Sony 960H image sensor for true color reproduction
- 700 TVL resolution
- True Day/Night (TDN) mode
- Service jack with second video output for camera setup
- On-screen display for easy setup
- C-CS lens adapter included
- 15 programmable privacy zones
- 12VDC/24VAC or 230V (PAL)

The compact Discover 550 Series Box Camera provides exceptional high-resolution images and true color reproduction in a variety of diverse lighting environments. Easy to use and simple to setup, this camera is engineered for optimal performance and reliability. With notable True Day/Night mode and 700 TVL resolution, the box camera delivers exceptionally accurate images during day and night, and in extremely challenging lighting conditions. With interchangeable lenses, this camera is ideal for almost any video surveillance application.

Discover 550 Series Box Cameras leverage Sony 960H technology which provides a horizontal resolution of 700 TVL capturing natural, high-definition video for clear, crisp images. These cameras provide a full range of true color pictures with higher sensitivity in less than ideal lighting conditions compared to conventional CCTV cameras.

Using an intuitive on-screen display menu, you can configure and adjust various camera settings to adjust for challenging environments, making setup quick and easy. Settings include exposure, white balance, backlight compensation, Day/Night selection, privacy zones, etc.

With up to 15 privacy zones, you can configure the camera to protect sensitive data or personal privacy by concealing areas prohibited from being monitored.

The Discover 550 Series Box Camera is ideal for indoor commercial environments and is commonly used with a weatherproof, vandal-resistant enclosure for outdoor applications such as a building's campus or a parking lot.

Specifications

Operational
Imager 1/3" Sony® Super HAD-II image sensor
Horizontal Resolution 700 TVL
Active Pixel Count (H x V)
NTSC 976 x 494
PAL 976 x 582
Scanning Frequency 60Hz (NTSC); 50Hz (PAL)
Min. Scene Illumination Day mode: 0.3 lux;
Night mode: 0.03 lux @ F1.2
Iris Control DC auto
S/N Ratio >48 dB (100 IRE, F1.2)
Synchronization Internal
Shutter Speed 1/60-1/10000 (NTSC)
1/50-1/10000 (PAL)

Controls
AGC 44.8 dB
AES 1/60-1/10000 (NTSC);
1/50-1/10000 (PAL)
BLC Full range
White Balance Auto, Manual, Push, Push Lock,
User 1, 2
Auto White Balance Range 1,800K - 10,500K (normal)
Day/Night True Day Night (auto, color, b/w)
Brightness 0-255
Sharpness 0-255
Privacy Zones Up to 15 programmable
Noise Reduction 2D DNR, 3D motion adaptive (0-255)
IR Optimizer On/Off

IR Wavelength and Range 850nm/50M
Mirror Horizontal and vertical
On-screen Display Camera name

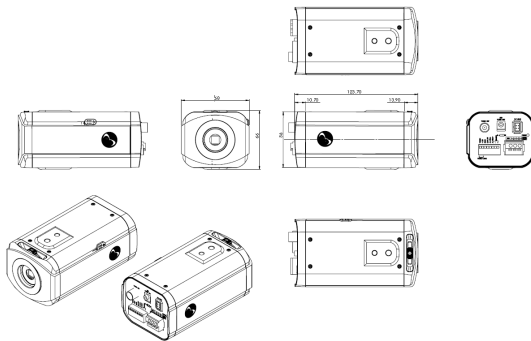
Connectors
Video Output Composite

Electrical
Voltage DC 10.8V-13.3V Regulated, AC 19.2V-28.8V
Power Consumption 4.9W (max.) with True Day/Night on

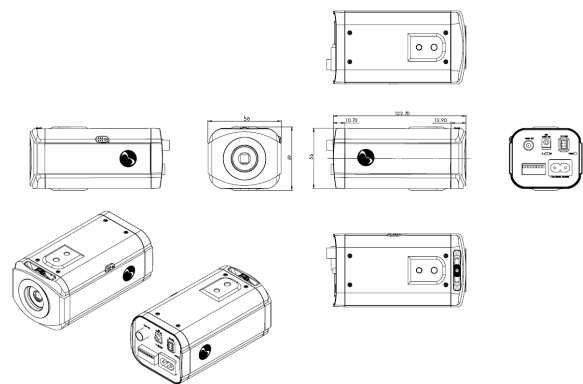
Mechanical
Dimensions (W x H x L) 66 x 58 x 124 mm (2.6 x 2.24 x 4.8 in)
Weight (Without Lens) 200g (0.440 lbs)
Housing Material Aluminum
Housing Color White (RAL 9003, Pantone® 705)

Environmental
Operational Temperature -10°C to 50°C (14°F to 122°F)
Storage Temperature -20°C to 60°C (-4°F to 140°F)
Relative Humidity 90% (non-condensing)

Regulatory
Emissions FCC: Part 15, Class B
CE: EN61000, Class B
Immunity CE: EN50130-4
Safety NTSC: UL60950 and CSAC22.2 No. 60950
PAL: IEC60950



Dual Power Dimension



Main Power Dimension

Ordering Information

Brand	Camera	Series	Box	Format	230V (PAL only)
AD	CA	55	X	N = NTSC P = PAL	230

Accessories

Model	Description
6003-0239-01	North America Power Cord
6003-0240-01	European Power Cord
6003-0221-01	UK Power Cord

Related Products



ADTVR Series



victor

Approvals

