

## Discover 350 Series 700 TVL 960H Box Camera



### Features That Make a Difference:

- 1/3" Sony 960H image sensor for true color reproduction
- Digital noise reduction corrects imperfections on an image
- Auto White Balance finds best settings for the clearest images
- Day/Night switching for low light conditions
- 15 programmable privacy zones
- 12VDC/24VAC and 230V (PAL)

The compact Discover 350 Series Box Camera provides high resolution images and accurate color rendition for budget-conscious customers. Easy to install and use, this camera is engineered for optimal performance and can be customized to fit a variety of environments with a mixture of lighting conditions.

Digital Signal Processing (DSP), combined with 700 TVL on a 1/3" Sony 960H image sensor, delivers clear picture quality typically available only from more expensive models. This box camera offers backlight compensation (BLC), automatic gain control (AGC), and an auto iris lens to produce clear, accurate color images in challenging lighting conditions. Low light sensitivity renders sharp images in scenes as dim as 0.3 lux.

Configured using pre-defined or user-customized settings, Auto White Balance finds the best settings for optimal white balance to achieve the clearest images possible. The one-touch feature makes this one of the easiest cameras in the industry to adjust for manual white balance.

With up to 15 privacy zones, you can configure the camera to conceal private areas in the camera's field of view.

The Discover 350 Series Box Camera is ideal for indoor commercial environments, and is commonly used with a weatherproof, vandal-resistant enclosure for outdoor applications such as for a building perimeter or parking garage.

## Specifications

**Operational**  
 Imager ..... 1/3" Sony Super HAD-II image sensor  
 Horizontal Resolution ..... 700 TVL  
 Active Pixel Count (H x V)  
 NTSC ..... 976 x 494  
 PAL ..... 976 x 582  
 Scanning Frequency ..... 2:1 Interlace  
 Min. Scene Illumination ..... 0.32 lux (50IRE, F=1.2, AGC max.)  
 Iris Control ..... Video/DC auto  
 S/N Ratio ..... >48dB (100 IRE)  
 Synchronization ..... Internal  
 Shutter Speed ..... MES 1/60 (NTSC)/ MES 1/50 PAL, FLK,  
 1/250-1/100000, Auto (NTSC)

**Controls**  
 AGC ..... Low, Middle, High, Off  
 AGC Dynamic Range ..... 70 IRE-100 IRE  
 AES ..... Auto luminance control 1/60-1/100000 sec.  
 max. (NTSC)  
 Auto luminance control 1/50-1/100000 sec.  
 max. (PAL)  
 BLC ..... 2 Zone On, Off, HLC  
 White Balance ..... Auto  
 Auto White Balance Range ..... Indoor(1800K-10500K),  
 Outdoor (6500K-10500K) AWC, Manual  
 D/N Control ..... Auto, Color, B/W, Ext  
 Brightness ..... 0-255 Level  
 Sharpness ..... 0-31 Level  
 DWDR ..... On, Off  
 Digital Noise Reduction ..... On, Off  
 Privacy Zones ..... 15 programmable  
 Mirror ..... On, Off

On-screen Display ..... On, Off  
 Back Focus ..... CS Mount 12mm +/- 1.0mm

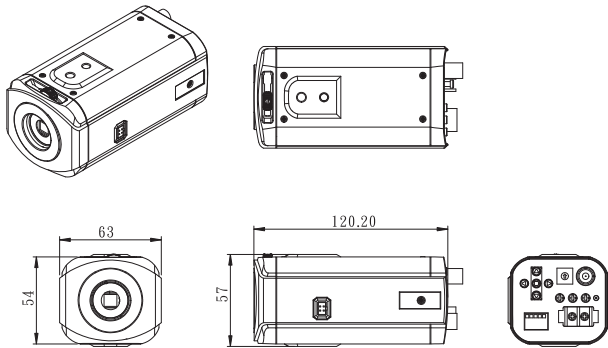
**Connectors**  
 Composite Video Output .... BNC  
 Mounting Hole ..... ¼ in top to bottom

**Electrical**  
 Voltage ..... DC 12V ± 10% and AC 24V ± 20%; 230VAC (PAL)  
 Power ..... 2.6W (max.)

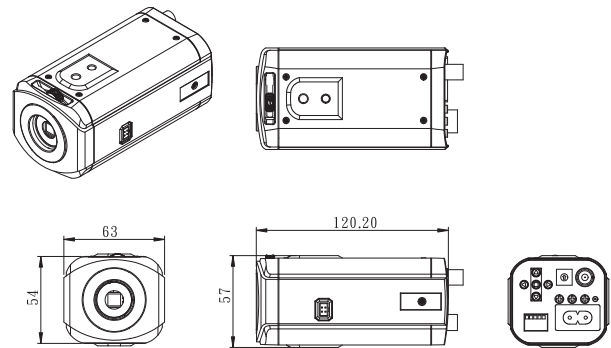
**Mechanical**  
 Housing Material ..... Aluminum  
 Housing Color ..... White (RAL 9003, Pantone® 705)  
 Dimensions (W x H x L) ..... 63 x 57 x 120.20 mm (2.48 x 2.24 x 4.73 in)  
 Weight (Without Lens) ..... 250g (0.55 lbs)

**Environmental**  
 Operational Temperature .... -10°C to 50°C (14°F to 122°F)  
 Storage Temperature ..... -20°C to 60°C (-4°F to 140°F)  
 Relative Humidity ..... 90% non-condensing

**Regulatory**  
 Emissions ..... FCC: Part 15, Class A; CE: EN55022, Class A  
 Immunity ..... CE: EN50130-4  
 Safety ..... NTSC: UL60950-1 and CSAC22.2 No. 60950-1  
 Mains PAL: IEC/en60950-1, RoHS Compliant



Dual Power Dimension



Main Power Dimensions (PAL Only)

## Ordering Information

Brand	Camera	Series	Box	Format	230V (PAL only)
AD	CA	35	X	N = NTSC P = PAL	230

## Accessories

Model	Description
6003-0239-01	North America Power Cord
6003-0240-01	European Power Cord
6003-0221-01	UK Power Cord

## Related Products



ADTVR Series

victor

## Approvals

