

Discover 750 Series

700 TVL 960H Outdoor Bullet Camera



Features That Make a Difference:

- 1/3" Sony 960H Image Sensor for best low-light performance
- Wide Dynamic Range (WDR) for clear images even under challenging environments
- High resolution 700 TVL
- 2.8-10mm or 9-22mm / F1.2 or F1.4 varifocal auto iris lens
- IR illuminators for operation in scenes down to 0 lux
- True Day/Night (TDN) mode
- Fully adjustable mount for easy positioning
- Service jack with second video output for camera setup
- 15 Programmable privacy zones
- 12VDC/24VAC

The Discover 750 Series Bullet Camera provides powerful functionality with exceptional Wide Dynamic Range (WDR) and True Day/Night (TDN) mode. With a resolution of 700 TVL the bullet camera delivers extremely accurate images and true color reproduction during both day and night, in a variety of lighting conditions. With its sleek design, the bullet camera can be easily concealed and go relatively unnoticed in a variety of locations.

Leveraging Sony Image Sensor technology, the Discover 750 Series Bullet Camera accurately captures all of the critical details in a scene including highlights, shadows and everything in between while maintaining color accuracy. Requiring just 0.3 lux of illumination to produce usable, color images

at a full 30 frames per second, the camera is the natural choice both indoors and outdoors. An integrated IR illuminator allows the camera to operate in situations where no visible lighting is present (0 lux).

With a high-impact, vandal-resistant housing, the bullet camera can withstand the harshest environments. Its IP66-rated enclosure prevents damage from dust and other debris, as well as water damage. User controls are easily accessed from the rear of the camera after removing the water tight cover.

Specifications

Operational

Imager	Sony 1/3" Super HAD-II Wide Dynamic
Horizontal Resolution	700 TVL
Active Pixel Count (H x V)	758 x 540
Lens (Varifocal Auto Iris)	2.8-10mm: F1.2; 9-22mm: F1.4
Scanning Frequency	60Hz (NTSC); 50Hz (PAL)
Min. Scene Illumination	Day mode: 0.3 lux (50IRE, F1.2, 30fps) Night mode: 0.0 lux
Iris Control	DC auto
S/N Ratio	>48dB
Synchronization	Internal or line lock
Shutter Speed	1/60-1/30, 720 sec (NTSC) 1/50-1/30, 720 sec (PAL)
IR Illuminator	850nm/50m

Controls

AGC	Day: 0-60dB; Night: 0-60dB
Wide Dynamic Range	102dB typical, 120dB max.
AES	Yes
BLC	Full range
White Balance	ATW, AWB, Manual
Auto White Balance Range	2800K-9100K (normal); 2000K-11000K (extended)
Day/Night	True Day/Night
Digital Zoom	1x - 8x
Brightness	Adjustable
Sharpness	Adjustable
Noise Reduction	3D motion adaptive
Privacy Zones	15 programmable
Mirror	Horizontal, vertical or both
Onscreen Display	Camera ID and menus

Connectors

Video Output	Composite with 1VPP
--------------------	---------------------

Electrical

Voltage	DC 10.8V-13.3V, AC 19.2V-28.8V
Power Consumption	2.2W (max.); 7W when IR and True Day/Night on

Mechanical

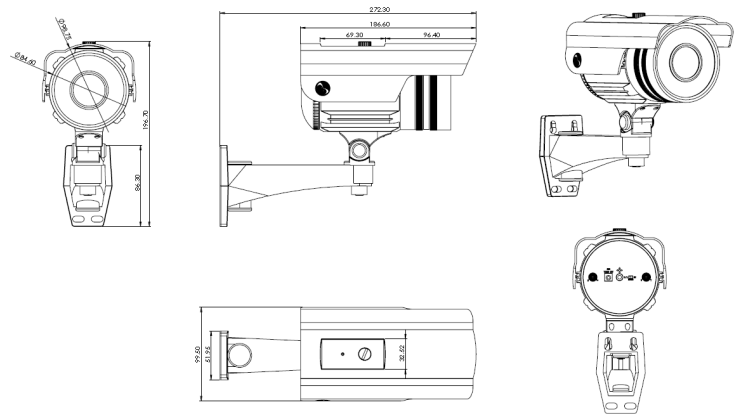
Dimensions	84.6 x 186.60 mm (33.3 x 7.34 in)
Weight	1220g (2.69 lbs)
Housing Material	Aluminum
Housing Color	Silver RAL 9022, (Pantone® 877C)

Environmental

Operational Temperature	-10°C to 50°C (14°F to 122°F)
Storage Temperature	-20°C to 60°C (-4°F to 140°F)
Relative Humidity	90% (non-condensing)

Regulatory

IP Rating	IP66
Emissions	FCC: Part 15, Class B CE: EN61000, Class B
Immunity	CE: EN50130-4
Safety	NTSC: UL60950 and CSAC22.2 No. 60950 PAL: IEC60950



Ordering Information

Brand	Camera	Series	Bullet	Color	Environment	Lens	Infrared	Format
AD	CA	75	B	W = Silver	I = Indoor O = Outdoor	3 = 9-22mm Varifocal 4 = 2.8-10mm Varifocal	R	N = NTSC P = PAL

Related Products



ADTVR Series



victor

Approvals

